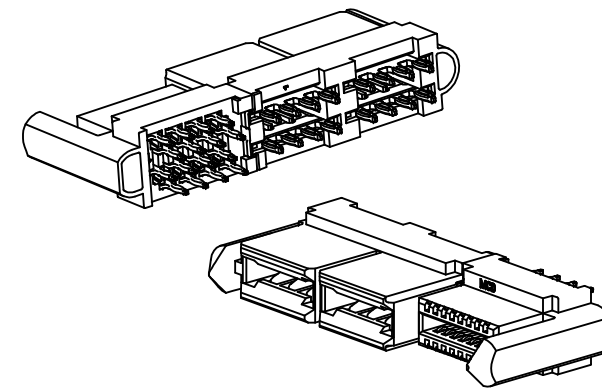
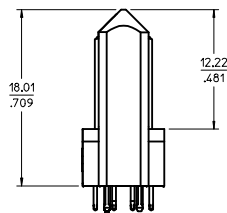
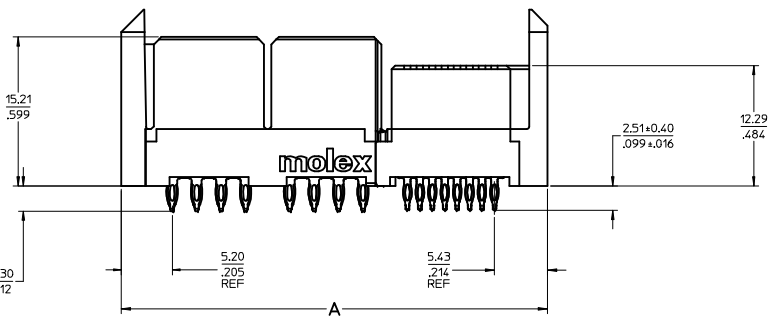
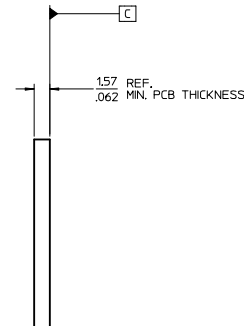
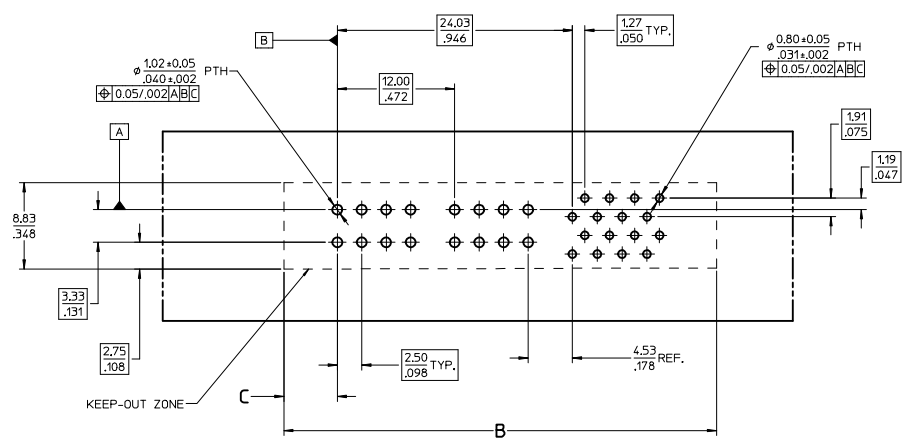


| NO OF SIGNALS | MATERIAL NUMBER | COMPLIANT PIN PLATING | DIM A | DIM B | DIM C |
|---------------|-----------------|-----------------------|-------------|-------------|-----------|
| 12 | 46114-4120 | TIN | 4.10/1.615 | 4.15/1.634 | 5.45/2.15 |
| 16 | 46114-4160 | TIN | 4.355/1.715 | 4.405/1.734 | |
| 20 | 46114-4200 | TIN | 4.609/1.815 | 4.659/1.834 | |
| 24 | 46114-4240 | TIN | 4.863/1.915 | 4.913/1.934 | |
| 28 | 46114-4280 | TIN | 5.117/2.015 | 5.167/2.004 | |
| 32 | 46114-4320 | TIN | 5.371/2.115 | 5.421/2.134 | |
| 36 | 46114-4360 | TIN | 5.625/2.215 | 5.675/2.234 | |
| 40 | 46114-4400 | TIN | 5.879/2.315 | 5.929/2.334 | |



MATERIAL # 46114-4160 SHOWN

- NOTES:
1. MATERIAL: HOUSING: LCP, 94-VO, COLOR: BLACK. POWER CONTACTS: COPPER ALLOY. SIGNAL CONTACTS: MODIFIED TIN BRASS.
 2. FINISH: SELECT GOLD - 0.75 UM/30 U INCHES. SELECTED TIN - 2.50 UM/100 U INCHES. BOTH OVER NICKEL - 1.25 UM/50 U INCHES.
 3. POWER TERMINALS ARE LUBRICATED IN CONTACT AREA.
 4. PARTS ARE RHIS COMPLIANT.
 5. MATES TO MOLEX P/N 45985-SERIES OR CARD EDGE 1571.062.
 6. PRODUCT SPECIFICATION PS-46114-001.
 7. PACKAGING: PER PK-46114-003.

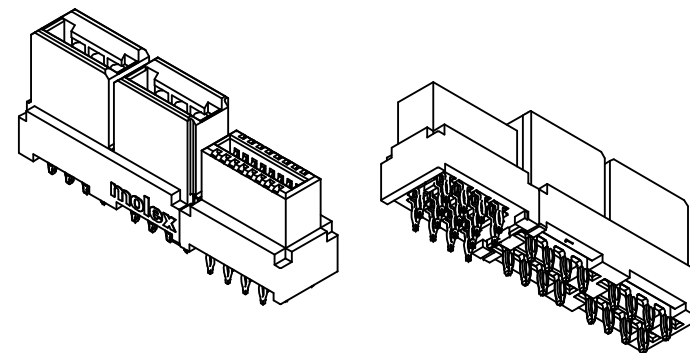
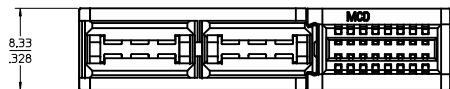


PCB COMPONENT SIDE SCALE 4:1

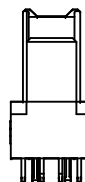
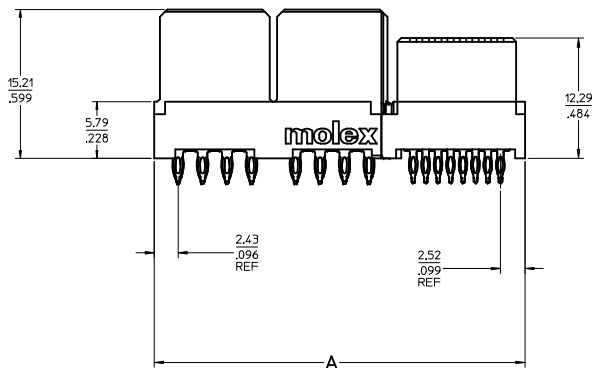
| | | | | | | | | |
|----------------------------------------------------------------------------------------------------------------|--------------------------------------|--------------------------------------------------------------------------------------------------------------|------------------------------------------------------------------------------|-----------------------------------------------------------------------------------------------------------------------------|------------------------------------------------------------------------------|-----------------------------------------------------|------------------------|------------------------|
| CHG MX TO MCD ELEC NO: S2017-0362 DRAWN BY: 2016/12/15 CHKD: JZENG APPR: KHLIN DATE: 2016/12/21 | QUALITY SYMBOLS ∇=0 ∇=0 ∇=0 | GENERAL TOLERANCES (UNLESS SPECIFIED) | | DIMENSION STYLE MM/IN | | SCALE 4:1 | DESIGN UNITS METRIC | THIRD ANGLE PROJECTION |
| | | 4 PLACES ± --- ± --- 3 PLACES ± --- ± .010 2 PLACES ± 0.25 ± --- 1 PLACE ± --- ± --- 0 PLACE ± ± | mm INCH ± --- ± --- ± .010 ± --- ± 0.25 ± --- ± --- ± --- ± ± | DRAWN BY: MKARADIMAS CHECKED BY: APATEL APPROVED BY: JCOMERCI DATE: 07/18/07 DATE: 07/20/07 DATE: 2009/12/03 | TITLE LPH VERTICAL RECEPTACLE ASSEMBLY 4 CIRCUIT PWR CONNECTOR, PRESS FIT | MATERIAL NO. SEE CHART DOCUMENT NO. SD-46114-400 | | SHEET NO. 1 OF 3 |

20 19 18 17 16 15 14 13 12 11 10 9 8 7 6 5 4 3 2 1

| NO OF SIGNALS | MATERIAL NUMBER | COMPLIANT PIN PLATING | DIM A | DIM B | DIM C |
|---------------|-----------------|-----------------------|-------------|-------------|-----------|
| 12 | 46114-4121 | TIN | 35.34/1.391 | 35.84/1.411 | 2.691/106 |
| 16 | 46114-4161 | TIN | 37.88/1.491 | 38.38/1.511 | |
| 20 | 46114-4201 | TIN | 40.42/1.591 | 40.92/1.611 | |
| 24 | 46114-4241 | TIN | 42.96/1.691 | 43.46/1.711 | |
| 28 | 46114-4281 | TIN | 45.50/1.791 | 46.00/1.811 | |
| 32 | 46114-4321 | TIN | 48.04/1.891 | 48.54/1.911 | |
| 36 | 46114-4361 | TIN | 50.58/1.991 | 51.08/2.011 | |
| 40 | 46114-4401 | TIN | 53.12/2.091 | 53.62/2.111 | |



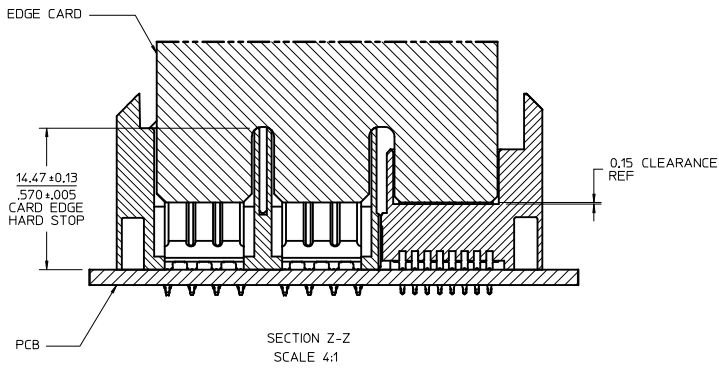
MATERIAL # 46114-4161 SHOWN



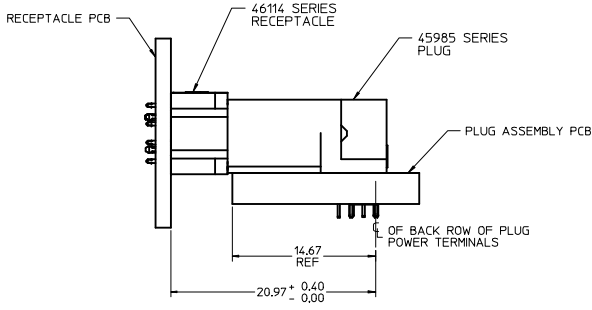
| | | | | | | | | |
|------------------------------------------------------------------------------------------------|-----------------------------------------------------------------------|------------------------------------------------------|------------------------------------------------------------------------------------------------------------------------------------------------------------------------|---------------------------|------------------------------|------------------------|------------------------|--|
| SEE SHEET 1 ELEC NO: S2017-0362 DRAWN BY: DRWALIN06 CHKD: JZENG APPR: KHLIN | 2016/12/15 2016/12/21 2016/12/21 | QUALITY SYMBOLS ∇=0 ∇=0 ∇=0 | GENERAL TOLERANCES (UNLESS SPECIFIED) mm INCH 4 PLACES ±.010 ±.010 3 PLACES ±.025 ±.010 2 PLACES ±.050 ±.010 1 PLACE ±.100 ±.010 0 PLACE ±.150 ±.010 | DIMENSION STYLE MM/IN | SCALE 4:1 | DESIGN UNITS METRIC | THIRD ANGLE PROJECTION | |
| | DRAWN BY: MKARADI MAS CHECKED BY: APATEL APPROVED BY: JCOMERC I | DATE: 07/18/07 DATE: 07/20/07 DATE: 2009/12/03 | TITLE LPH VERTICAL RECEPTACLE ASSEMBLY 4 CIRCUIT PWR CONNECTOR, PRESS FIT | MATERIAL NO. SEE CHART | DOCUMENT NO. SD-46114-400 | SHEET NO. 2 OF 3 | | |
| | ANGLAR ±1/2° DRAFT WHERE APPLICABLE MUST REMAIN WITHIN DIMENSIONS | | THIS DRAWING CONTAINS INFORMATION THAT IS PROPRIETARY TO MOLEX INCORPORATED AND SHOULD NOT BE USED WITHOUT WRITTEN PERMISSION | | | | | |
| | | | | | | | | |

19 18 17 16 15 14 13 12 11 10 9 8 7 6 5 4 3 2 1

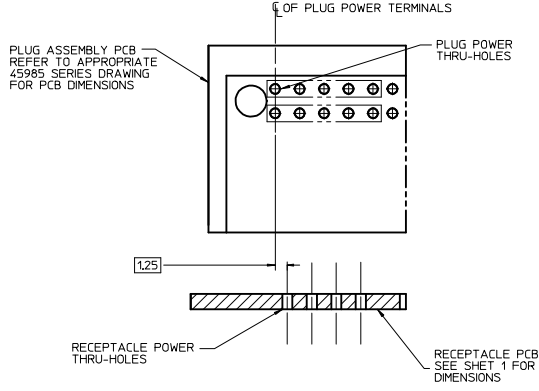
| NO OF SIGNAL | DIM. D |
|--------------|------------|
| 12 | 8.00/315 |
| 16 | 10.54/415 |
| 20 | 13.08/515 |
| 24 | 15.62/615 |
| 28 | 18.16/715 |
| 32 | 20.70/815 |
| 36 | 23.24/915 |
| 40 | 25.78/1015 |



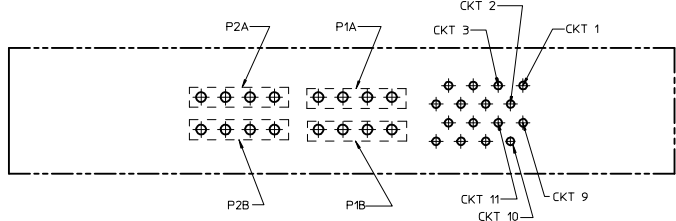
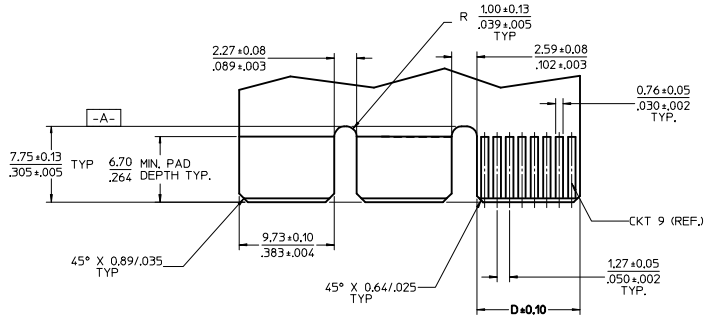
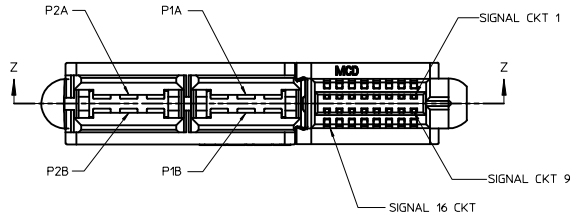
CARD EDGE MATING



PLUG ASSEMBLY MATING



ASSEMBLY PCB ALIGNMENT



RECOMMENDED EDGE CARD LAYOUT
 EDGE CARD THICKNESS: 1.57/0.62 ± 0.15/0.06
 PLATING: GOLD 30 μ INCHES MIN.
 OVER 150 μ INCHES NICKEL.

PCB LAYOUT: COMPONENT SIDE
 SEE SHT 1 FOR DIMENSIONS

| | | | | | | | |
|--------------------------------------------------------------------------------------------------------------------------------|-------------------------------------------------------------------------------------------------------------------------------|--------------------------------------------------------------------------------------------------------------|------------------------------|-----------------------------------------------------------------------------------------------------------------------------|----------------------------------|----------------------------------------------------------------------------|---------------------------|
| SEE SHEET 1 ELEC NO: SZ017-0362 DRAWN: JIN06 CHKD: JZNG APPR: KHLIM REV: 2016/12/15 2016/12/21 2016/12/21 | QUALITY SYMBOLS | GENERAL TOLERANCES (UNLESS SPECIFIED) | DIMENSION STYLE | SCALE | DESIGN UNITS | THIRD ANGLE PROJECTION | |
| | ∇=0 ∇=0 ∇=0 | 4 PLACES ± --- ± --- 3 PLACES ± --- ± .010 2 PLACES ± 0.25 ± --- 1 PLACE ± --- ± --- 0 PLACE ± ± | MM/INCH 4:1 METRIC | DRAWN BY: MKARADIMAS CHECKED BY: APATEL APPROVED BY: JCOMERCI DATE: 07/18/07 DATE: 07/20/07 DATE: 2009/12/03 | DATE: 07/18/07 DATE: 07/20/07 | TITLE: LPH VERTICAL RECEPTACLE ASSEMBLY 4 CIRCUIT PWR CONNECTOR, PRESS FIT | MATERIAL NO. SEE CHART |
| | ANGULAR ±1/2° DRAFT WHERE APPLICABLE MUST REMAIN WITHIN DIMENSIONS | MATERIAL NO. SEE CHART | DOCUMENT NO. SD-46114-400 | SHEET NO. 3 OF 3 | | | |
| | THIS DRAWING CONTAINS INFORMATION THAT IS PROPRIETARY TO MOLEX INCORPORATED AND SHOULD NOT BE USED WITHOUT WRITTEN PERMISSION | | | | | | |