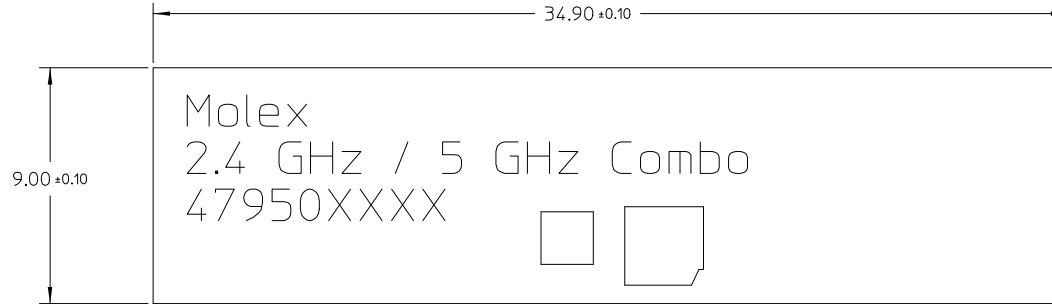
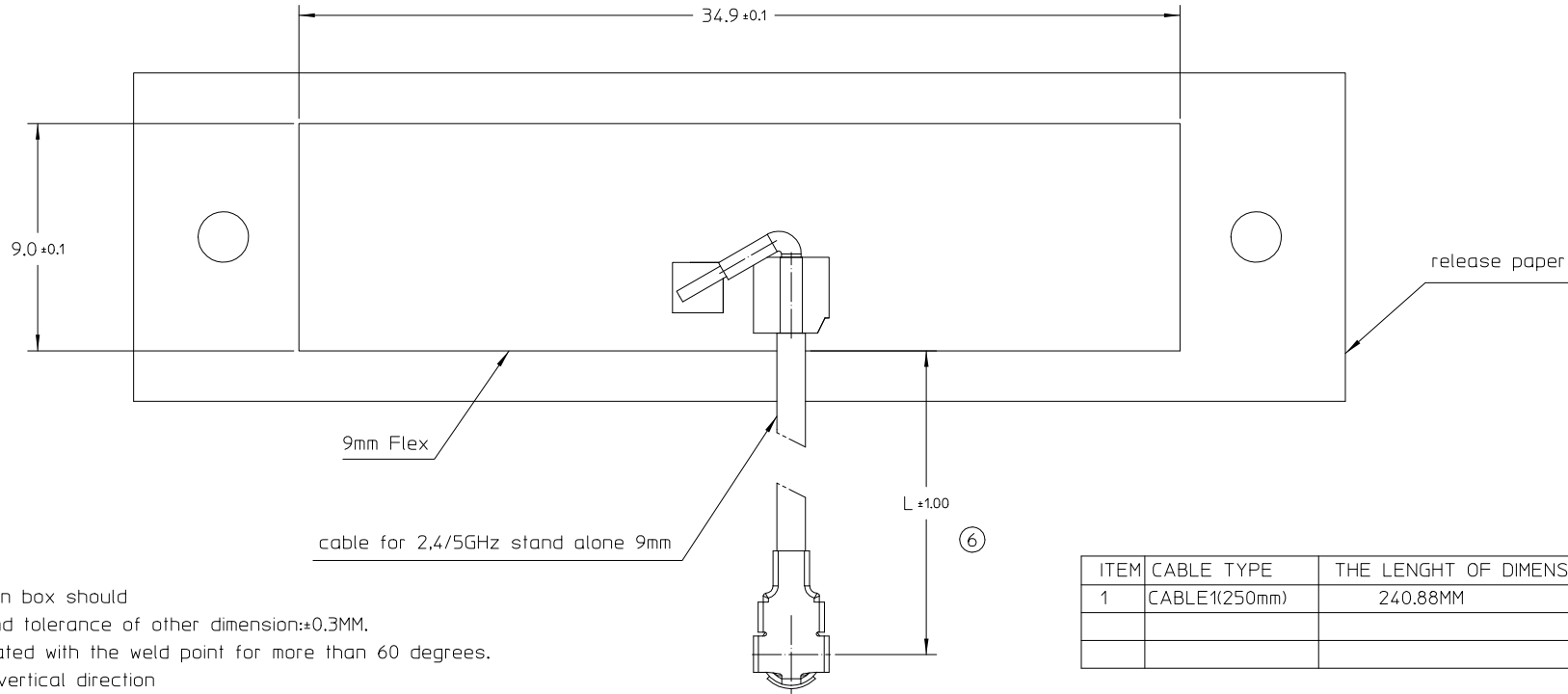


10	9	8	7	6	5	4	3	2	1	
Molex				Customer: Bostom			DRAWING LOCATION	CHANGE DESCRIPTION	AFFECTED DEPT	
DRAWING NO.	REV.	ECN NO.	DATE	P/N	P/N.	3D REV	2D REV			
SD-47950-250	A	ABU2015-0058	2015/03/09	479500250	-	-	-	ALL	Simply assy dims for SD drawings	AQP/ME/RF/PE/POP
SD-47950-250	B	ABU2016-0025	2015/09/09	479500250				ALL	Change PSA material from 3M966 to 3M9077	AQP/ME/RF/PE/POP

NOTE:
 1. Material: Flex 34.9mm * 9mm
 Thickness:
 PSA: 3M9077
 Pl: 50um
 Base Copper: 18~20um
 2. COVER COAT: BLACK.



ENTER DESCRIPTION EC NO: ABU2016-0025 DRWN: ZLRAO 2015/09/09 CHKD: Jack Shi 2015/09/09 APPR: Chris Yu 2015/09/09	QUALITY SYMBOLS 	GENERAL TOLERANCES (UNLESS SPECIFIED)		DIMENSION STYLE		SCALE 5:1	DESIGN UNITS MM	THIRD ANGLE PROJECTION
			mm	INCH	DRAWN BY	DATE	TITLE	
		4 PLACES	±	±	ZLRAO	2015/09/09		2.4/5GHz stand alone 9mm Ant
		3 PLACES	±	±	CHECKED BY	DATE		
2 PLACES	±	±	Jack Shi	2015/09/09				
1 PLACE	±	±	APPROVED BY	DATE				
ANGULAR ± °				Chris Yu	2015/09/09			
DRAFT WHERE APPLICABLE MUST REMAIN WITHIN DIMENSIONS				MATERIAL NO.	DOCUMENT NO.	SHEET NO.		
				479500250	SD-47950-250	1 OF 2		
				SIZE A3	THIS DRAWING CONTAINS INFORMATION THAT IS PROPRIETARY TO MOLEX INCORPORATED AND SHOULD NOT BE USED WITHOUT WRITTEN PERMISSION			



NOTE:
 1.The dimesndion with tolerance in box should be controled by flex supplier and tolerance of other dimension:±0.3MM.
 2.The cable line can not be rotated with the weld point for more than 60 degrees.
 3.For pull test, can't lift up in vertical direction

ITEM	CABLE TYPE	THE LENGHT OF DIMENSION "L"
1	CABLE1(250mm)	240.88MM

ITEM	PART NAME	PN
1	CABLE1 for 2,4/5GHz stand alone (250mm)	479500251
2	FLEX1 for 2,4/5GHz stand 9mm	479500002
3	2,4/5GHz stand alone 9mm assy(CABLE250MM)	479500250

ENTER DESCRIPTION EC NO:ABU2016-0025 DRWN:ZLRAO 2015/09/09 CHKD:Jack Shi 2015/09/09 APPR:Chris Yu 2015/09/09	QUALITY SYMBOLS	GENERAL TOLERANCES (UNLESS SPECIFIED)		DIMENSION STYLE	SCALE 5:1	DESIGN UNITS MM	THIRD ANGLE PROJECTION
	▽F=0	mm	INCH	DRAWN BY ZLRAO DATE 2015/09/09	TITLE 2,4/5GHz stand alone 9mm Ant		
	▽E=0	4 PLACES ±	±	CHECKED BY Jack Shi DATE 2015/09/09			
	▽P=0	3 PLACES ±	±	APPROVED BY Chris Yu DATE 2015/09/09	MOLEX INCORPORATED DOCUMENT NO. SD-47950-250 SHEET NO. 2 OF 2		
	2 PLACES ±	±	MATERIAL NO. 479500250				
	1 PLACE ±	±	ANGULAR ± °	DRAFT WHERE APPLICABLE MUST REMAIN WITHIN DIMENSIONS			