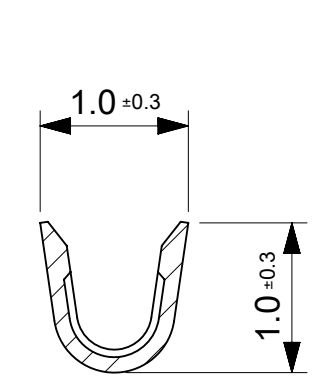
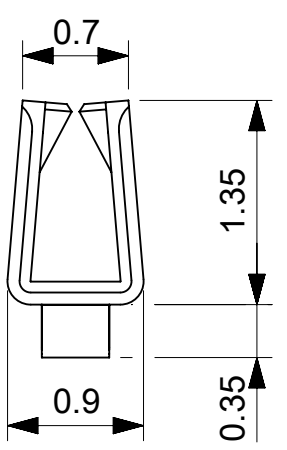
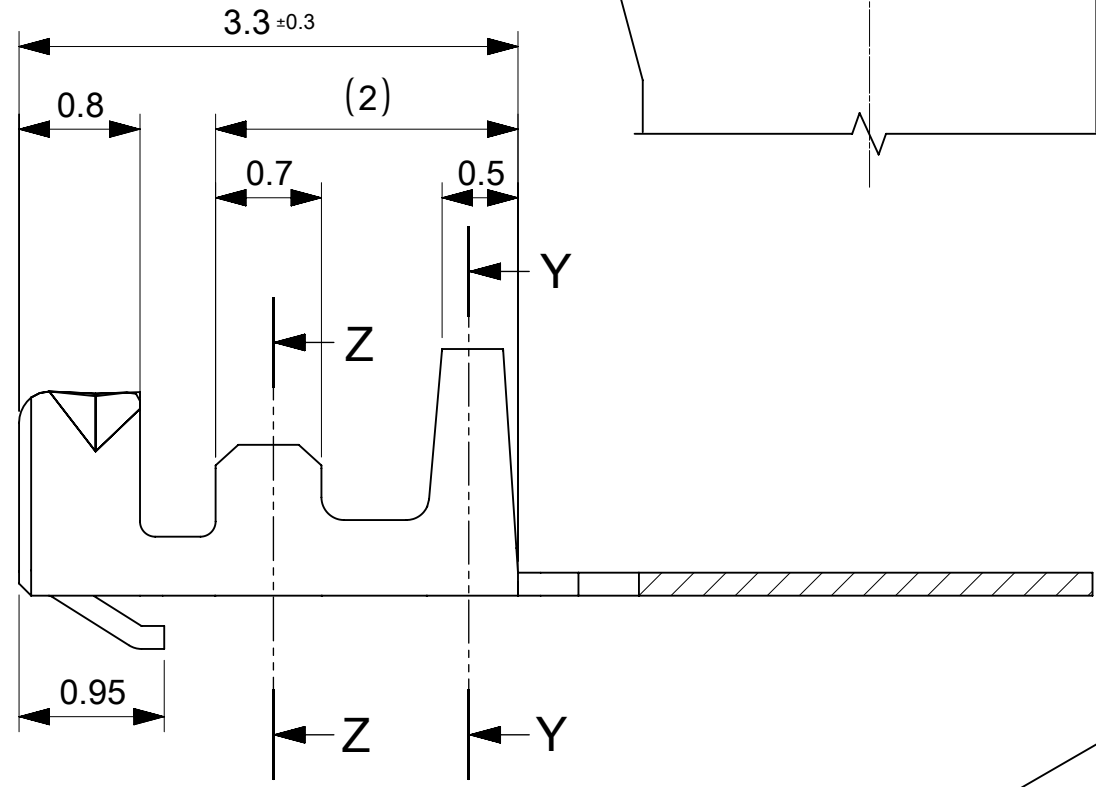
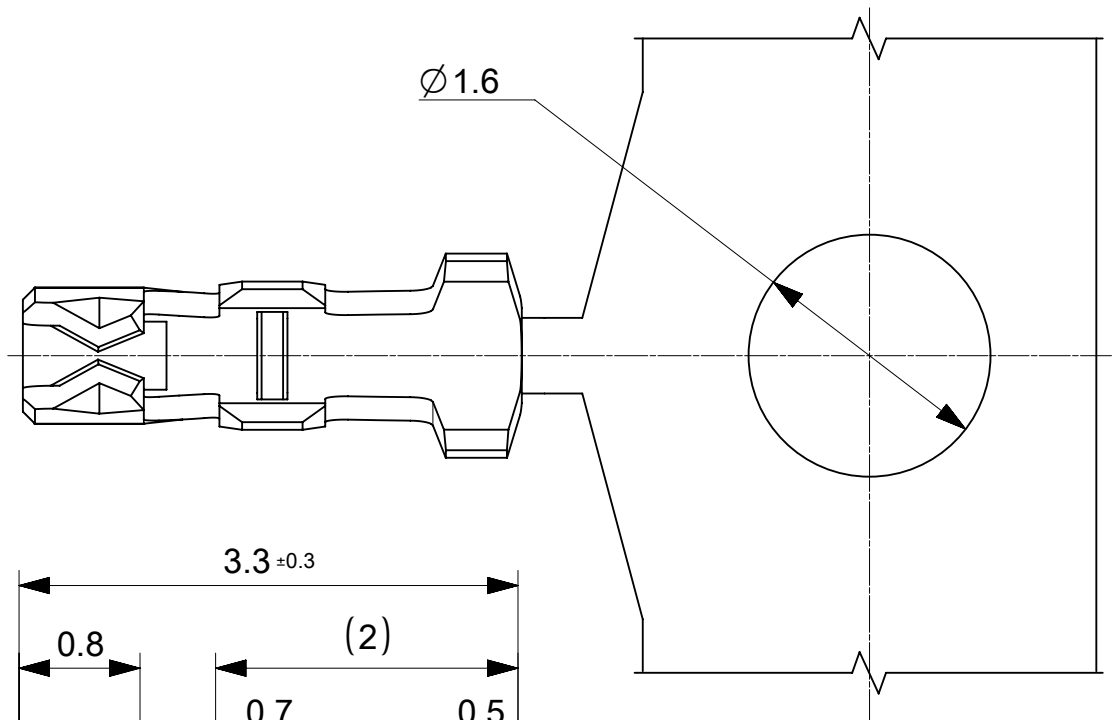
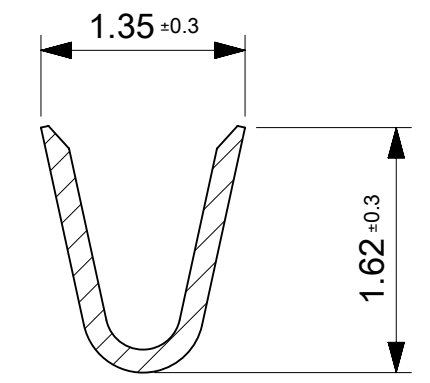


NOTE

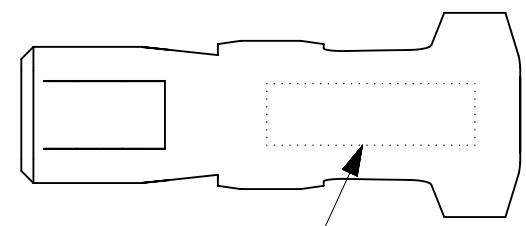
- 1 材料及び仕上げ(めっき仕様) : TABLE 1 参照
MATERIAL AND FINISHES : SEE TABLE 1
- 2 適合製品および各種仕様書についてはSHEET 2 を参照。
PLEASE REFER TO SHEET 2 FOR APPLICABLE PRODUCTS AND SPECIFICATIONS.
- 3. 本製品は錫めっき品です。
金めっき品は500580000-SDを参照ください。
THIS PRODUCT IS TIN PLATING TYPE.
PLEASE REFER TO 500580000-SD FOR GOLD PLATING TYPE.



SECTION Z-Z



SECTION Y-Y



トレードマーク
TRADE MARK

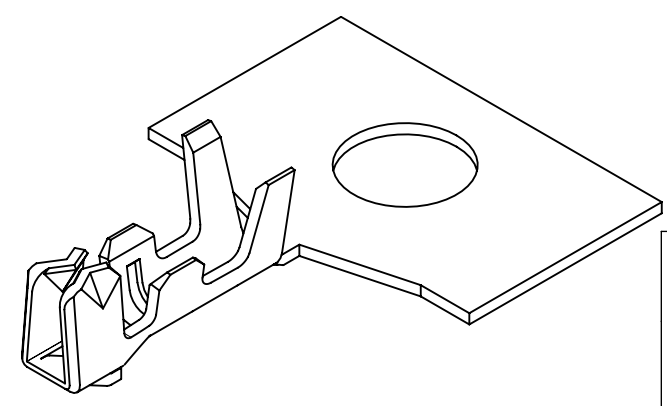


TABLE 1

部品 PART	材質 MATERIAL
ターミナル TERMINAL	りん青銅 PHOSPHOR BRONZE 錫めっき 0.9 MICROMETER MINIMUM (リフロー処理、前めっき) TIN PLATING 0.9 MICROMETER MINIMUM (REFLOW TREATMENT, PRE-PLATED)

Φ0.5-Φ1.0	AWG#28-32	ポリ袋 POLY BAG	バラ状 LOOSE	500588100
		リール REEL	連鎖状 CHAIN	500588000
被覆外径 INSULATION RANGE	適用電線範囲 WIRE RANGE	梱包形態 PACKING	端子形状 FORM	オーダー番号 ORDER NO.
THIS DRAWING CONTAINS INFORMATION THAT IS PROPRIETARY TO MOLEX ELECTRONIC TECHNOLOGIES, LLC AND SHOULD NOT BE USED WITHOUT WRITTEN PERMISSION				
DIMENSION UNITS mm	SCALE NTS	CURRENT REV DESC:		
GENERAL TOLERANCES (UNLESS SPECIFIED)		<p>PICOBLADE 1.25 RECEPTACLE CRIMP TERMINAL TIN PLATING AWG28-32</p> <p>PRODUCT CUSTOMER DRAWING</p>		
ANGULAR TOL	± 3.0°			
4 PLACES	± 0.2			
3 PLACES	± 0.2			
2 PLACES	± 0.2			
1 PLACE	± 0.2	INITIAL REVISION:	DOCUMENT NUMBER	DOC TYPE
0 PLACES	± 0.2	DRWN: QHE31 2021/12/15	500580001-SD	PSD
DRAFT WHERE APPLICABLE MUST REMAIN WITHIN DIMENSIONS		THIRD ANGLE PROJECTION	DRAWING	SERIES
			A3-SIZE	50058
		MATERIAL NUMBER	CUSTOMER	SHEET NUMBER
		SEE CHART	GENERAL	1 OF 2

△ 2 適合製品および各種仕様書
APPLICABLE PRODUCTS AND SPECIFICATIONS

梱包仕様書 PACKING SPECIFICATION	PART NUMBER			SPECIFICATION NUMBER		
	500588000			500589200SPK		
	500588100					
適合ハウジング APPLICABLE HOUSING	PART NUMBER					
	51021**00					
適合嵌合相手 MATE WITH	SMT			THROUGH HOLE		WIRE TO WIRE
	TIN PLATING			TIN PLATING		TIN PLATING
	VERTICAL		RIGHT ANGLE	VERTICAL	RIGHT ANGLE	
	WITH VACUUM CAP	WITH OUT VACUUM CAP				
	シリーズ番号 SERIES NUMBER	53398**67	53398**71	53621**71	53047**10	53048**10
製品仕様書 PRODUCT SPECIFICATION	PS-51021-025	PS-51021-024		PS-51021-010		PS-51021-009
アプリケーション仕様書(取扱説明書) APPLICATION SPECIFICATION	510210000-AS					510210001-AS

製品嵌合図は各嵌合相手図面参照のこと
MATING VIEW: REFER TO EACH "MATE WITH" PART DRAWING.

THIS DRAWING CONTAINS INFORMATION THAT IS PROPRIETARY TO MOLEX ELECTRONIC TECHNOLOGIES, LLC AND SHOULD NOT BE USED WITHOUT WRITTEN PERMISSION										
DIMENSION UNITS	SCALE	CURRENT REV DESC:				molex				
mm	NTS									
GENERAL TOLERANCES (UNLESS SPECIFIED)		EC NO: 688261 DRWN: QHE31 2021/12/15 CHK'D: SAKIYAMA 2021/12/21 APPR: KOMURAKAMI 2021/12/24 INITIAL REVISION: DRWN: QHE31 2021/12/15 APPR: KOMURAKAMI 2021/12/24				PICOBLADE 1.25 RECEPTACLE CRIMP TERMINAL TIN PLATING AWG28-32				
ANGULAR TOL	± 3.0 °					PRODUCT CUSTOMER DRAWING				
4 PLACES	± 0.2					DOCUMENT NUMBER		DOC TYPE	DOC PART	REVISION
3 PLACES	± 0.2					500580001-SD		PSD	000	A
2 PLACES	± 0.2					MATERIAL NUMBER		CUSTOMER		SHEET NUMBER
1 PLACE	± 0.2					SEE CHART		GENERAL		2 OF 2
0 PLACES	± 0.2	DRAWING		SERIES	MATERIAL NUMBER					
DRAFT WHERE APPLICABLE MUST REMAIN WITHIN DIMENSIONS		THIRD ANGLE PROJECTION	DRAWING	SERIES	MATERIAL NUMBER		CUSTOMER		SHEET NUMBER	
			A3-SIZE	50058	MATERIAL NUMBER		CUSTOMER		SHEET NUMBER	
				50058	MATERIAL NUMBER		CUSTOMER		SHEET NUMBER	
				50058	MATERIAL NUMBER		CUSTOMER		SHEET NUMBER	