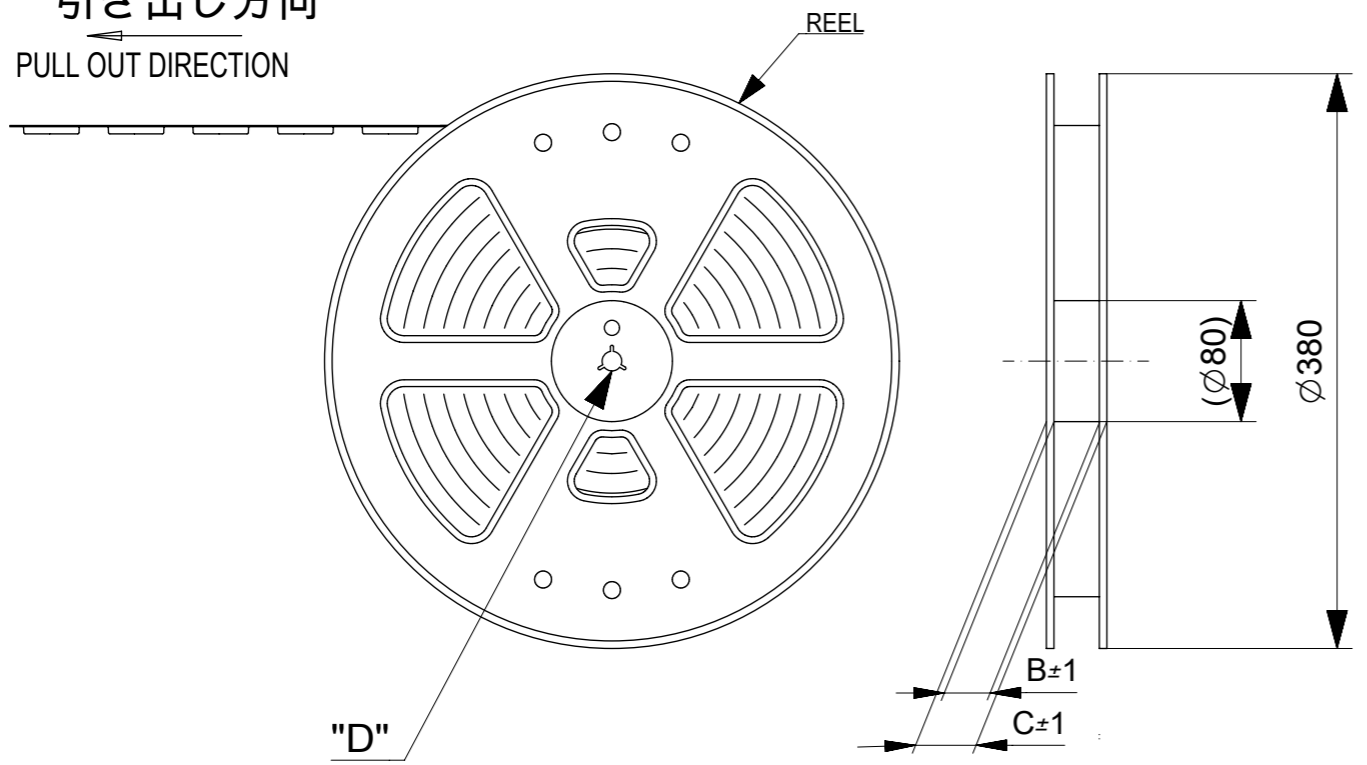
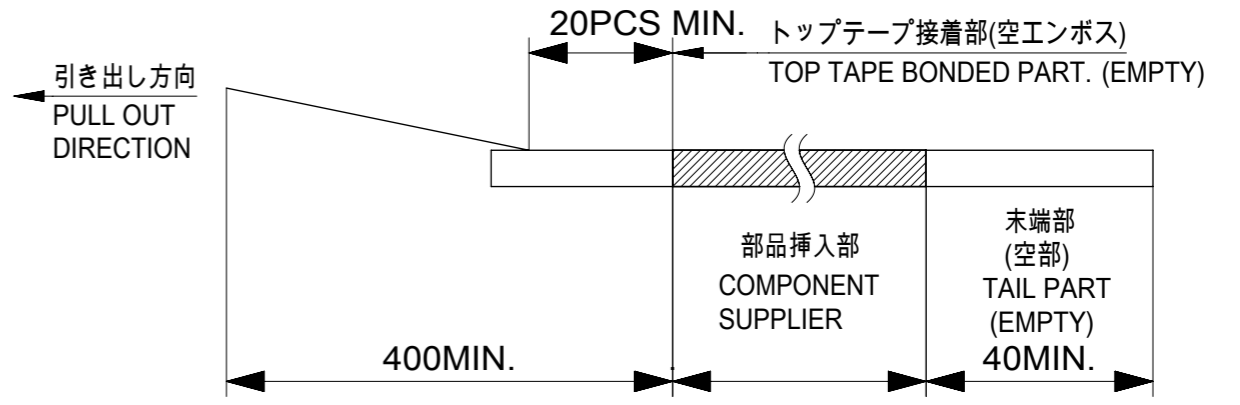


引き出し方向  
PULL OUT DIRECTION

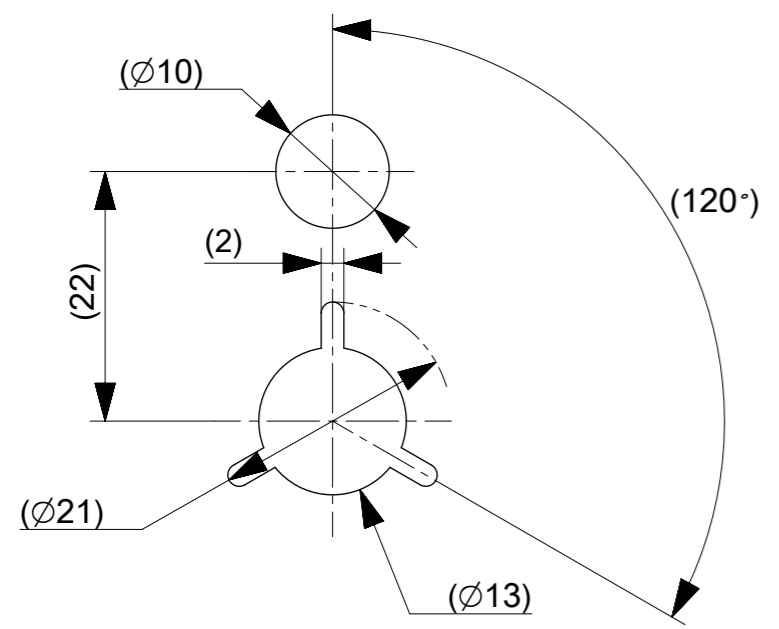


注記 NOTES

- 製品詳細寸法については製品単体図面を参照下さい。  
RE DETAILED DIMENSION, SEE PRODUCT DRAWING.
- 梱包数量：7000個 / リール  
NUMBER OF CONNECTORS : 7000 PCS/REEL.
- リードテープ長さ LEAD TAPE LENGTH.

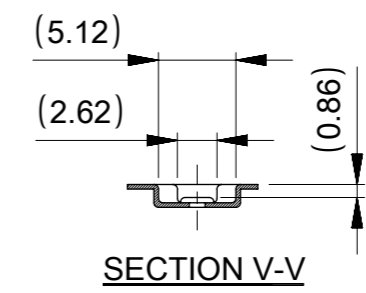
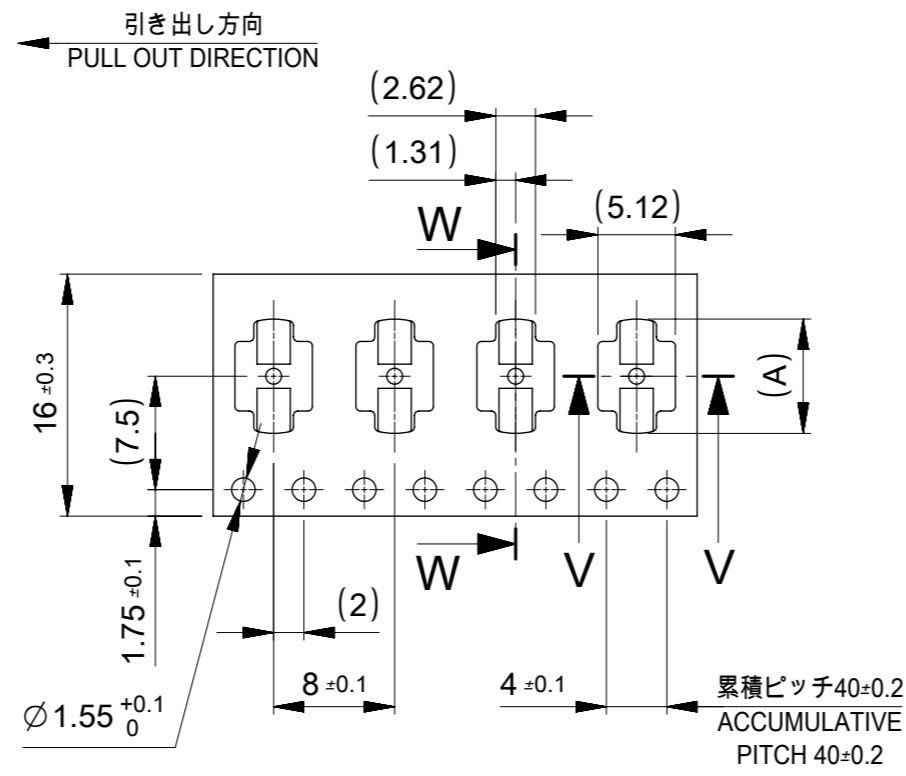
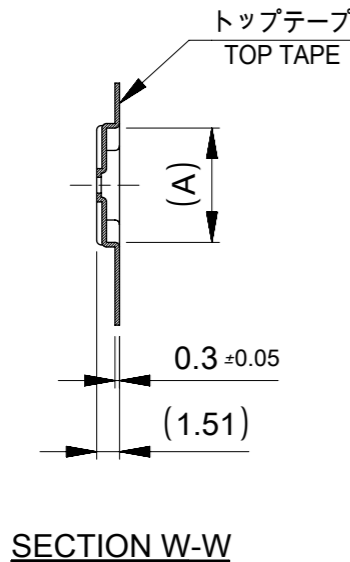


- カバーテープの剥離強度については、IEC60286-3に準拠。  
COVER TAPE PEEL FORCE IS DEFINED BY IEC60286-3.
- 材料 MATERIAL  
キャリアテープ(CARRIER TAPE) : ポリスチレン(POLYSTYRENE)  
トップテープ(TOP TAPE) : PET, OTHER  
リール(REEL) : ポリスチレン(PS) <リサイクル材を含む>  
POLYSTYRENE(PS) <RECYCLE MATERIAL CONTAINED >



DETAIL "D"

THIS DRAWING CONTAINS INFORMATION THAT IS PROPRIETARY TO MOLEX ELECTRONIC TECHNOLOGIES, LLC AND SHOULD NOT BE USED WITHOUT WRITTEN PERMISSION										
REVISED	EC NO. 169127	2017/12/06	GENERAL TOLERANCES (UNLESS SPECIFIED)		DIMENSION UNITS	SCALE	<b>molex</b> <sup>®</sup>			
	DRWN: GB	2017/12/06	ANGULAR TOL ± 3.0 °		mm	NTS				
	CHK'D: TNAKAGAWA01	2017/12/06	4 PLACES	± 0.03	DRWN BY	DATE	0.4 BB CONN. HGT=0.8 REC ASSY EMBSTP PKG			
	REVISION: G	DATE: 2015/12/14	3 PLACES	± 0.03	ABABU01	2017/09/26				
	REV APPR: MSASAO	2017/12/06	2 PLACES	± 0.05	CHK'D BY	DATE	PRODUCT CUSTOMER DRAWING			
		1 PLACE	± 0.1	GB	2017/10/05					
		0 PLACES	± 0.2	APPR BY	DATE	SERIES MATERIAL NUMBER CUSTOMER				
		DRAFT WHERE APPLICABLE MUST REMAIN WITHIN DIMENSIONS		GGA	2017/10/05				503772	SEE CHART
				DRAWING SIZE	THIRD ANGLE PROJECTION	DOCUMENT NUMBER		DOC TYPE	DOC PART	SHEET NUMBER
				A3		5037720000		PSD	003	1 OF 3

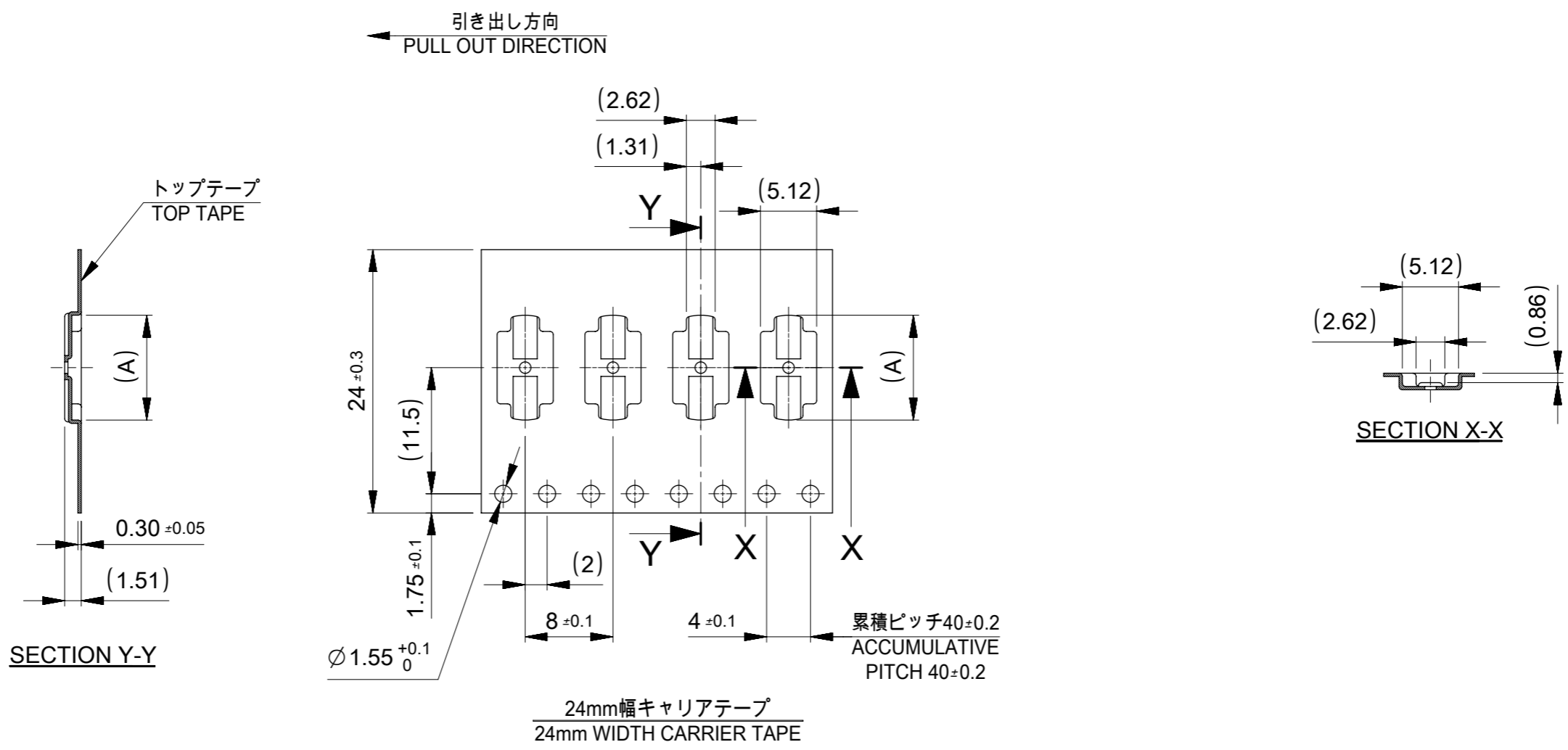


16mm幅キャリアテープ  
16mm WIDTH CARRIER TAPE

16	21.4	17.4	7.56	503772-2420	24
			6.76	503772-2020	20
			5.96	503772-1620	16
			4.76	503772-1020	10
キャリアテープ幅 CARRIER TAPE WIDTH			C	B	(A)
			MATERIAL NO.		CKT.
			MODEL NO.		503772-***0

THIS DRAWING CONTAINS INFORMATION THAT IS PROPRIETARY TO MOLEX ELECTRONIC TECHNOLOGIES, LLC AND SHOULD NOT BE USED WITHOUT WRITTEN PERMISSION

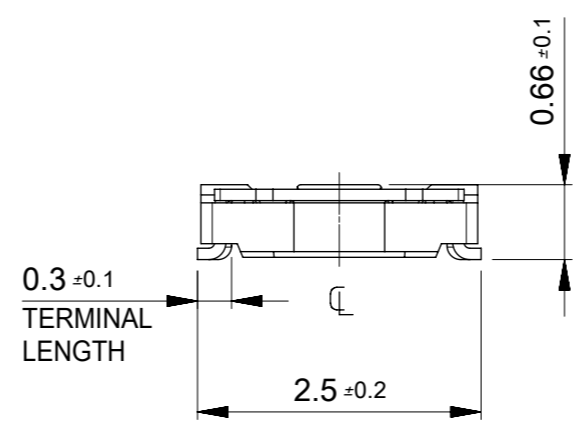
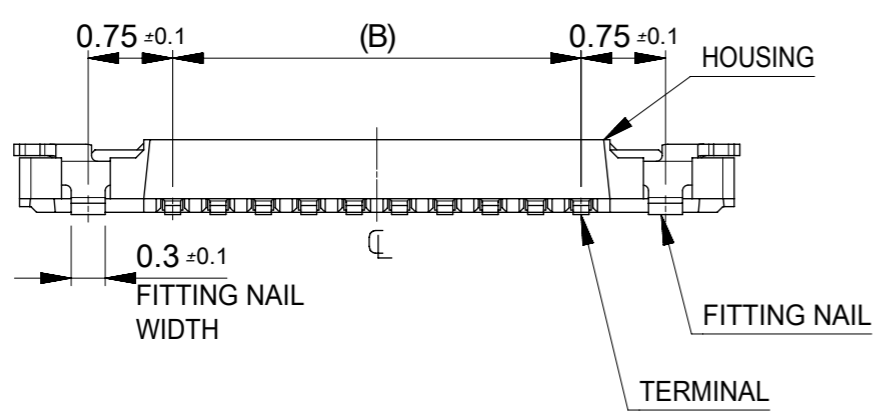
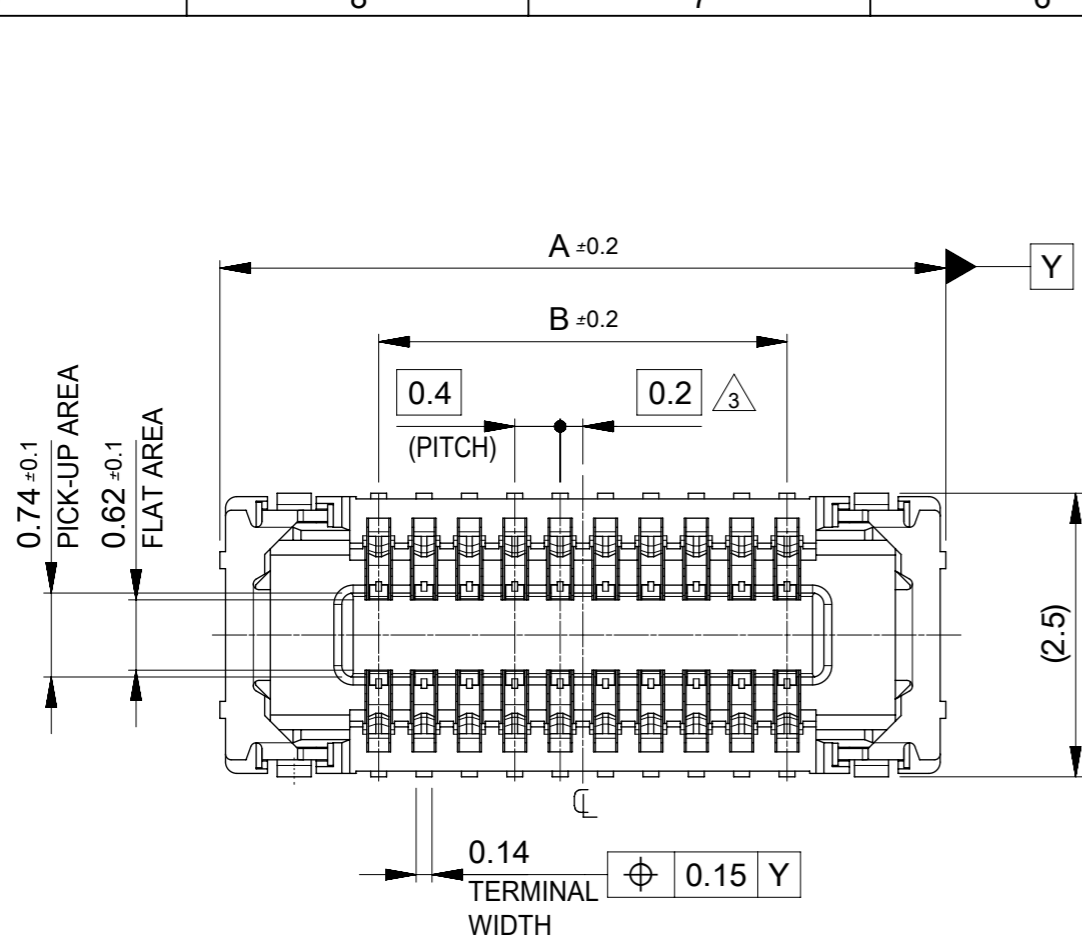
EC NO: 169127 DRWN: GB CHK'D: TNAKAGAWA01 APPR: MSASAO REV: B	2017/12/06	2017/12/06	GENERAL TOLERANCES (UNLESS SPECIFIED)		DIMENSION UNITS	SCALE		
			ANGULAR TOL ± 3.0 °		mm	NTS		
			4 PLACES ± 0.03	DRWN BY		DATE		
			3 PLACES ± 0.03	ABABU01		2017/09/26		
			2 PLACES ± 0.05	CHK'D BY		DATE		
			1 PLACE ± 0.1	GB		2017/10/05		
		0 PLACES ± 0.2	APPR BY		DATE			
			GGA		2017/10/05			
DRAFT WHERE APPLICABLE MUST REMAIN WITHIN DIMENSIONS			DRAWING SIZE	THIRD ANGLE PROJECTION		PRODUCT CUSTOMER DRAWING		
			A3			SERIES: 503772 MATERIAL NUMBER: SEE CHART CUSTOMER: GENERAL		
			DOCUMENT NUMBER: 5037720000		DOC TYPE: PSD	DOC PART: 003	SHEET NUMBER: 2 OF 3	



24	29.4	25.4	14.76	503772-6020	60
			12.76	503772-5020	50
			10.76	503772-4020	40
			9.56	503772-3420	34
			8.76	503772-3020	30
キャリアテープ幅 CARRIER TAPE WIDTH			C	B	(A)
			MATERIAL NO.	CKT.	
			MODEL NO.	503772-***0	

THIS DRAWING CONTAINS INFORMATION THAT IS PROPRIETARY TO MOLEX ELECTRONIC TECHNOLOGIES, LLC AND SHOULD NOT BE USED WITHOUT WRITTEN PERMISSION

EC NO: 169127 DRWN: GB CHK'D: TNAKAGAWA01 APPR: MSASAO	2017/12/06	2017/12/06	GENERAL TOLERANCES (UNLESS SPECIFIED) ANGULAR TOL ± 3.0 ° 4 PLACES ± 0.03 3 PLACES ± 0.03 2 PLACES ± 0.05 1 PLACE ± 0.1 0 PLACES ± 0.2 DRAFT WHERE APPLICABLE MUST REMAIN WITHIN DIMENSIONS	DIMENSION UNITS	SCALE		
	2017/12/06	2017/12/06		mm	NTS		
	REVISED	2017/09/26		DRWN BY	DATE		0.4 BB CONN. HGT=0.8 REC ASSY EMBSTP PKG
	ABABU01	2017/10/05		CHK'D BY	DATE		
	GB	2017/10/05		APPR BY	DATE		
	GGA	2017/10/05		DRAWING SIZE	THIRD ANGLE PROJECTION		PRODUCT CUSTOMER DRAWING
A3		SERIES	MATERIAL NUMBER	CUSTOMER			
		503772	SEE CHART	GENERAL			
		DOCUMENT NUMBER	DOC TYPE	DOC PART	SHEET NUMBER		
		5037720000	PSD	003	3 OF 3		



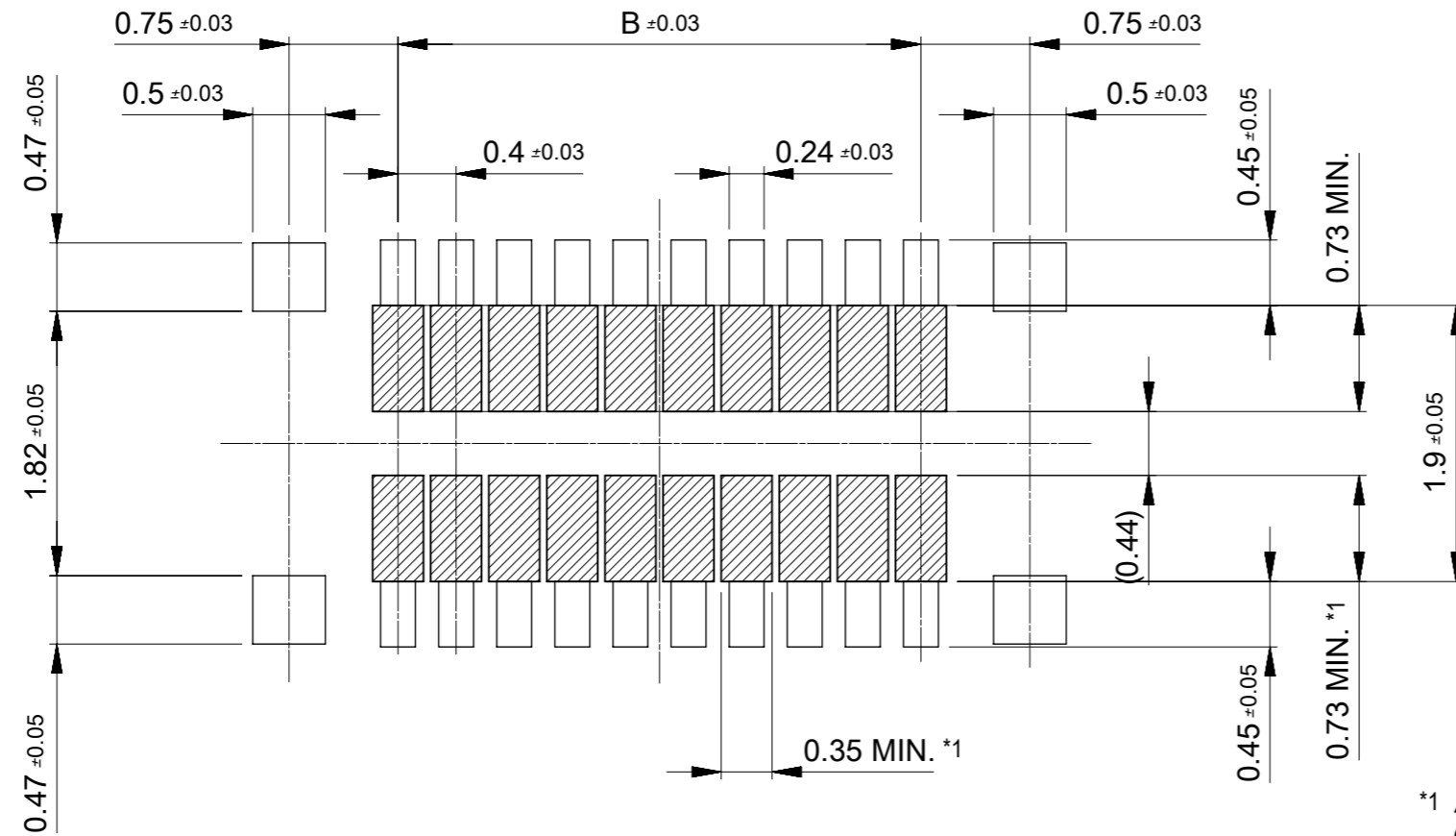
注記 NOTES

- 使用材料 MATERIAL
    - ハウジング:液晶ポリマー(LCP) UL94V-0(黒)
    - HOUSING : LIQUID CRYSTAL POLYMER UL94V-0 (COLOR : BLACK)
    - ターミナル : 銅合金
    - TERMINAL : COPPER ALLOY
    - 金具 : SUS
    - FITTING NAIL : STAINLESS STEEL
  - メッキ仕様 PLATING
    - ターミナル TERMINAL
      - 金メッキ
      - GOLD
      - 下地メッキ : ニッケルメッキ
      - UNDER PLATING : NICKEL
    - ※コンタクト部とテール部はニッケルメッキによって分断されている金メッキです。
    - DIVIDE INTO PARTS THE GOLD PLATING OF THE CONTACT AND THE TAIL PART BY THE NICKEL PLATING.
    - 金具 FITTING NAIL
      - 金メッキ(半田付部のみ)
      - GOLD (SOLDER TAIL ONLY)
      - 下地メッキ : ニッケルメッキ
      - UNDER PLATING : NICKEL
- △<sub>3</sub> (全極数/2)=偶数の場合に適用。  
APPLY FOR (CIRCUIT/2)=EVEN.
- 嵌合相手 : 503776 シリーズ  
MATE WITH : 503776 SERIES.
  - テール及び金具の平坦度は、0.08以下。60極は0.1以下。  
TAIL AND FITTING NAIL COPLANARITY TO BE 0.08 MAXIMUM.  
TAIL AND FITTING NAIL COPLANARITY WITH 60ckt TO BE 0.1 MAXIMUM.

11.6	14.4	503772-6020	60
9.6	12.4	503772-5020	50
7.6	10.4	503772-4020	40
6.4	9.2	503772-3420	34
5.6	8.4	503772-3020	30
4.4	7.2	503772-2420	24
3.6	6.4	503772-2020	20
2.8	5.6	503772-1620	16
1.6	4.4	503772-1020	10
B	A	EMBOSSED PACKAGE	極数
		オーダー番号 ORDER No.	CIRCUITS
		CONNECTOR SERIES No. : 503772	

THIS DRAWING CONTAINS INFORMATION THAT IS PROPRIETARY TO MOLEX ELECTRONIC TECHNOLOGIES, LLC AND SHOULD NOT BE USED WITHOUT WRITTEN PERMISSION

EC NO: 168382 DRWN: TNAKAGAWA01 CHK'D: MSASAO APPR: MSASAO	REVISED	2017/11/30 2017/12/01	GENERAL TOLERANCES (UNLESS SPECIFIED) ANGULAR TOL ± 3.0 °	DIMENSION UNITS: mm SCALE: 15:1	
	4 PLACES	± 0.03	DRWN BY: ABABU01	DATE: 2017/09/26	
	3 PLACES	± 0.03	CHK'D BY: GB	DATE: 2017/10/05	
	2 PLACES	± 0.05	APPR BY: GGA	DATE: 2017/10/05	
	1 PLACE	± 0.1	DRAWING SIZE: A3	THIRD ANGLE PROJECTION	
0 PLACES	± 0.2	DRAFT WHERE APPLICABLE MUST REMAIN WITHIN DIMENSIONS		PRODUCT CUSTOMER DRAWING SERIES: 503772 MATERIAL NUMBER: SEE TABLE CUSTOMER: GENERAL	
RELEASE STATUS: P1	RELEASE DATE: 01.12.2017	01:48:00	DOCUMENT NUMBER: 5037721000 DOC TYPE: PSD DOC PART: 008 SHEET NUMBER: 1 OF 2		



RECOMMENDED P.W.BOARD  
PATTERN LAYOUT

- \*1 パターン引き回し、および半田禁止エリア  
(当該箇所においては、これと接する回路以外の配線を禁止する。  
また、接する回路を配線する場合はレジストを施し、この部分に  
半田は無きこととする。)
- \*1 PROHIBITED AREA OF PATTERN WIRING AND SOLDER.  
(FOR EACH AREA, THE WIRING THAT TOUCHES ON THE SOLDER  
CAN BE ATTACHED, THEN COVERED WITH A FILM TO KEEP SOLDER OUT.)

THIS DRAWING CONTAINS INFORMATION THAT IS PROPRIETARY TO MOLEX ELECTRONIC TECHNOLOGIES, LLC AND SHOULD NOT BE USED WITHOUT WRITTEN PERMISSION

EC NO: 168382 DRWN: TNAKAGAWA01 CHK'D: MSASAO APPR: MSASAO	2017/11/30	GENERAL TOLERANCES (UNLESS SPECIFIED)		DIMENSION UNITS	SCALE				
	2017/12/01	ANGULAR TOL ± 3.0 °		mm	20:1				
	REVISED	4 PLACES ± 0.03	DRWN BY	ABABU01	DATE	2017/09/26	0.4 BB CONN. HGT=0.8 W=2.5 REC ASSY		
		3 PLACES ± 0.03	CHK'D BY	GB	DATE	2017/10/05			
		2 PLACES ± 0.05	APPR BY	GGA	DATE	2017/10/05			
	1 PLACE ± 0.1	DRAWING SIZE	A3	THIRD ANGLE PROJECTION	PRODUCT CUSTOMER DRAWING				
	0 PLACES ± 0.2	DRAFT WHERE APPLICABLE MUST REMAIN WITHIN DIMENSIONS				SERIES	MATERIAL NUMBER	CUSTOMER	
						503772	SEE TABLE	GENERAL	
						DOCUMENT NUMBER	DOC TYPE	DOC PART	SHEET NUMBER
						5037721000	PSD	008	2 OF 2