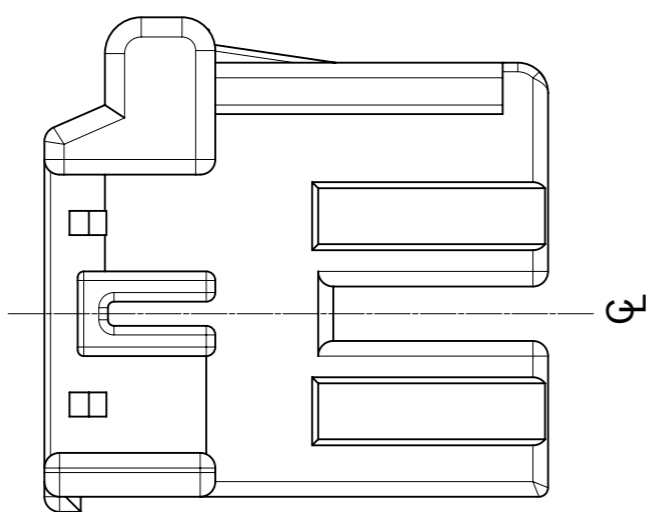
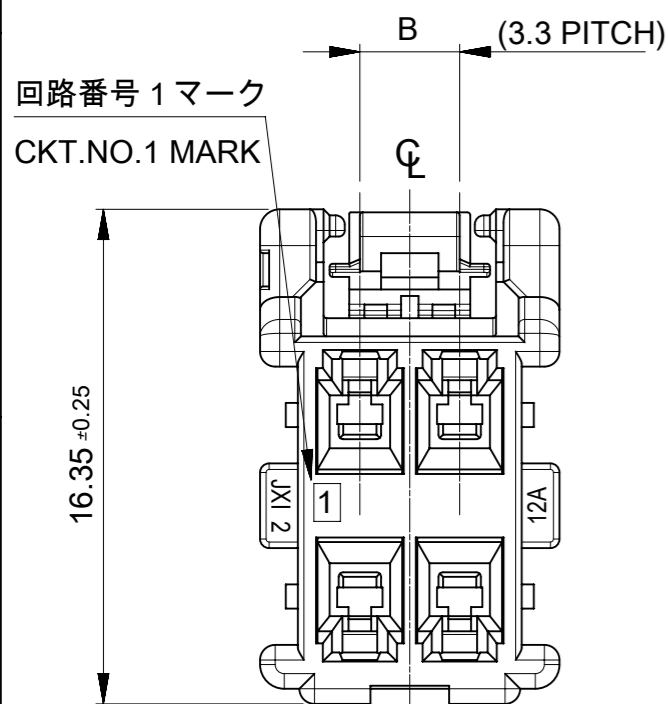
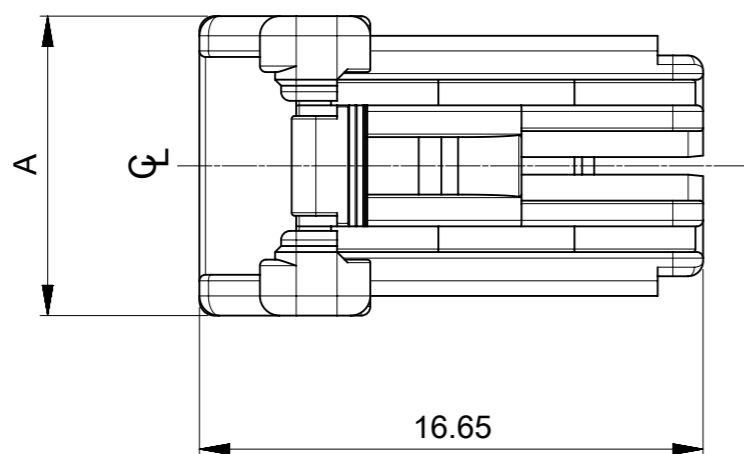
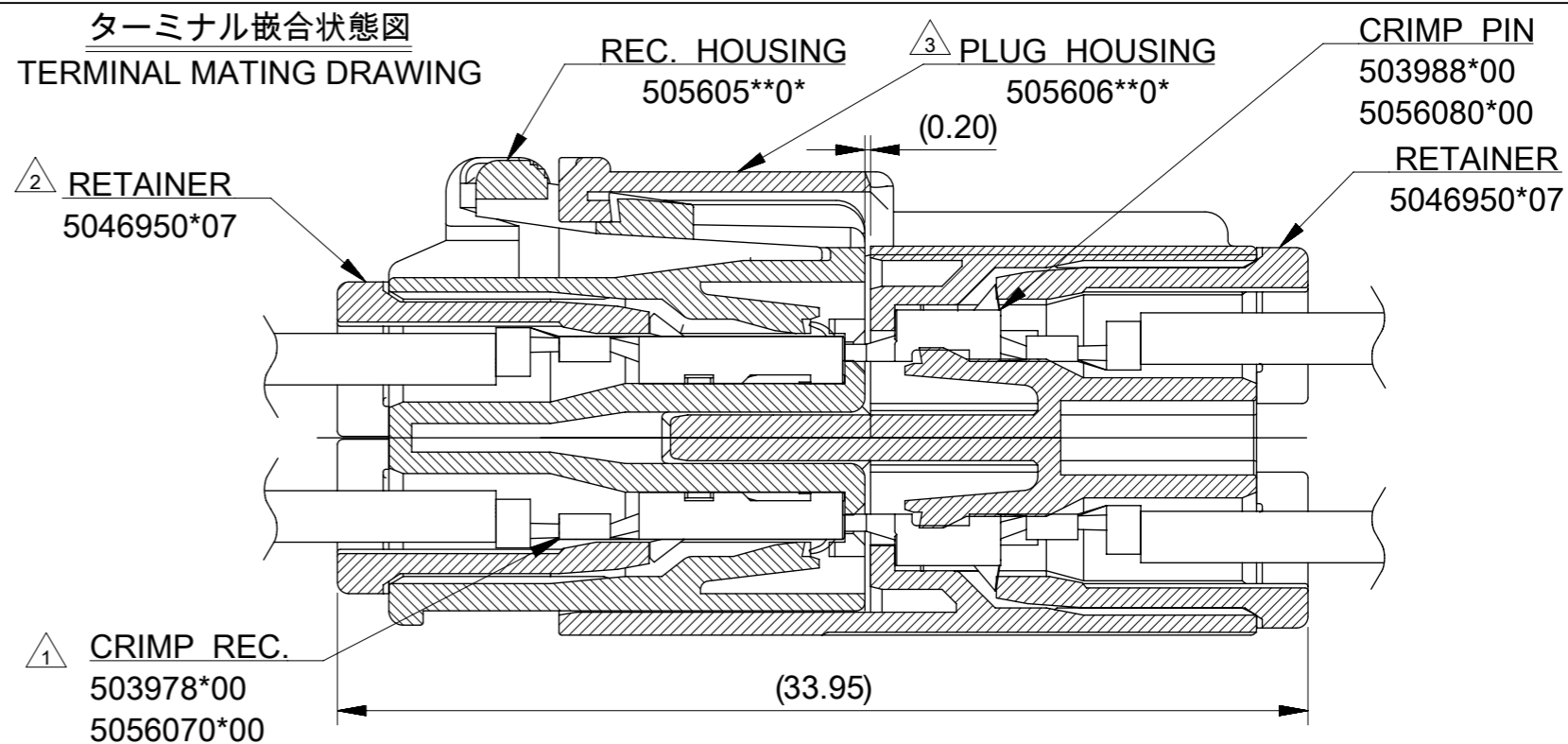


SHAPE OF 4CKTS



ターミナル嵌合状態図
TERMINAL MATING DRAWING



注記
NOTES

- ① 適合ターミナル : 50397,505607 シリーズ
APPLICABLE TERMINAL : 50397,505607 SERIES
- ② 適合リテーナー : 504695 シリーズ
APPLICABLE RETAINER : 504695 SERIES
- ③ 嵌合相手 : 505606 シリーズ
MATE WITH : 505606 SERIES
- 4. 材質 : POLYESTER(PBT),UL94V-0
MATERIAL : POLYESTER(PBT),UL94V-0
- 5. MATERIAL NO. は以下の内容を示す。
MATERIAL No. : 505605**0*
極数 CKT. | 色 COLOR
0:自然色 NATURAL
1:黒 BLACK
2:赤 RED
3:黄 YELLOW

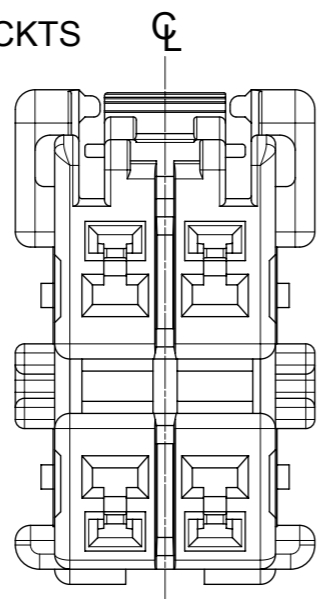
| | | | | |
|------|------|---------|------------------|------------|
| 16.5 | 23.1 | 12 | 505605120* | 505605**0* |
| 13.2 | 19.8 | 10 | 505605100* | |
| 9.9 | 16.5 | 8 | 505605080* | |
| 6.6 | 13.2 | 6 | 505605060* | |
| 3.3 | 9.9 | 4 | 505605040* | |
| (B) | A | 極数 CKT. | BAG PACKAGE | MODEL NO. |
| | | | オーダー番号 ORDER NO. | |

THIS DRAWING CONTAINS INFORMATION THAT IS PROPRIETARY TO MOLEX ELECTRONIC TECHNOLOGIES, LLC AND SHOULD NOT BE USED WITHOUT WRITTEN PERMISSION

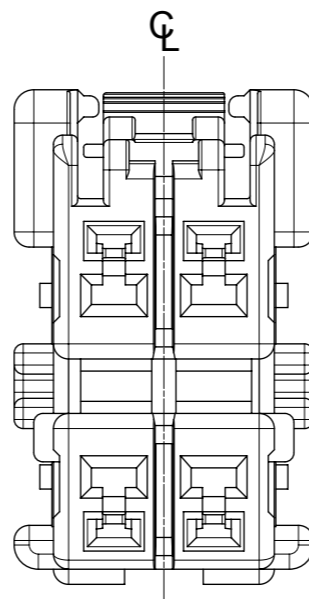
| | | | | | | | | |
|---|------------|------------|---|-----------------|------------------------|----------|--------------|--|
| EC NO: 168281 DRWN: NITO CHK'D: SAKIYAMA APPR: TKANEKO | 2017/11/21 | 2017/11/22 | GENERAL TOLERANCES (UNLESS SPECIFIED) ANGULAR TOL ± 3.0 ° 4 PLACES ± 0.2 3 PLACES ± 0.2 2 PLACES ± 0.2 1 PLACE ± 0.2 0 PLACES ± 0.2 DRAFT WHERE APPLICABLE MUST REMAIN WITHIN DIMENSIONS | DIMENSION UNITS | SCALE | | | |
| | 2017/11/21 | 2017/11/22 | | mm | 4:1 | | | |
| | DRWN BY | DATE | | KOMORI | 2016/11/02 | | | |
| | CHK'D BY | DATE | | SAKIYAMA | 2017/02/08 | | | |
| 2017/11/21 | 2017/11/22 | 2017/11/22 | | APPR BY | DATE | TKANEKO | 2017/02/08 | PRODUCT CUSTOMER DRAWING SERIES: 505605 MATERIAL NUMBER: 5056050000 CUSTOMER: GENERAL |
| 2017/11/21 | 2017/11/22 | 2017/11/22 | | DRAWING SIZE | THIRD ANGLE PROJECTION | A3 | | |
| 2017/11/21 | 2017/11/22 | 2017/11/22 | | DOCUMENT NUMBER | DOC TYPE | DOC PART | SHEET NUMBER | |
| 2017/11/21 | 2017/11/22 | 2017/11/22 | | 5056050000 | PSD | 000 | 1 OF 2 | |

MATING
KEY TYPE & COLOR

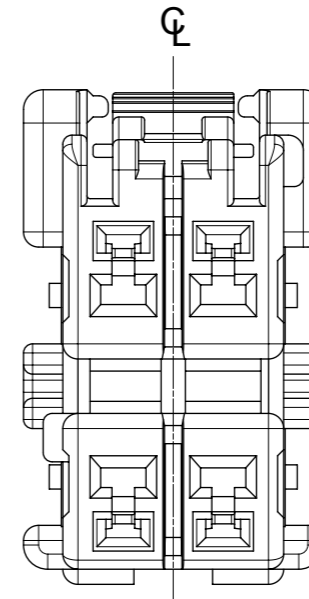
REFERENCE 4 CKTS



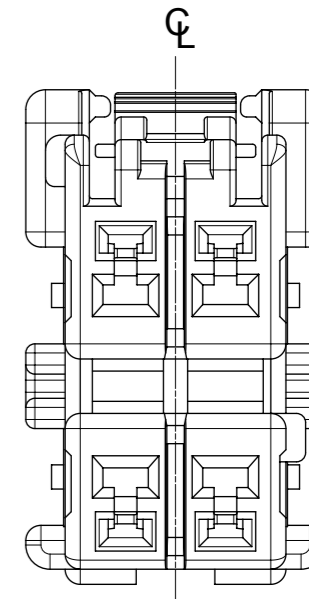
KEY TYPE : 1 COLOR : NATURAL
MATERIAL NO. : 5056050400



KEY TYPE : 2 COLOR : BLACK
MATERIAL NO. : 5056050401

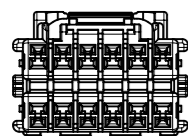
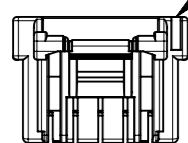


KEY TYPE : 3 COLOR : RED
MATERIAL NO. : 5056050402



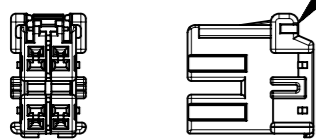
KEY TYPE : 4 COLOR : YELLOW
MATERIAL NO. : 5056050403

CKT1 MARK



VIEW OF CKT.10,12
(SCALE 1:1)

CKT1 MARK



VIEW OF CKT.4,6,8
(SCALE 1:1)

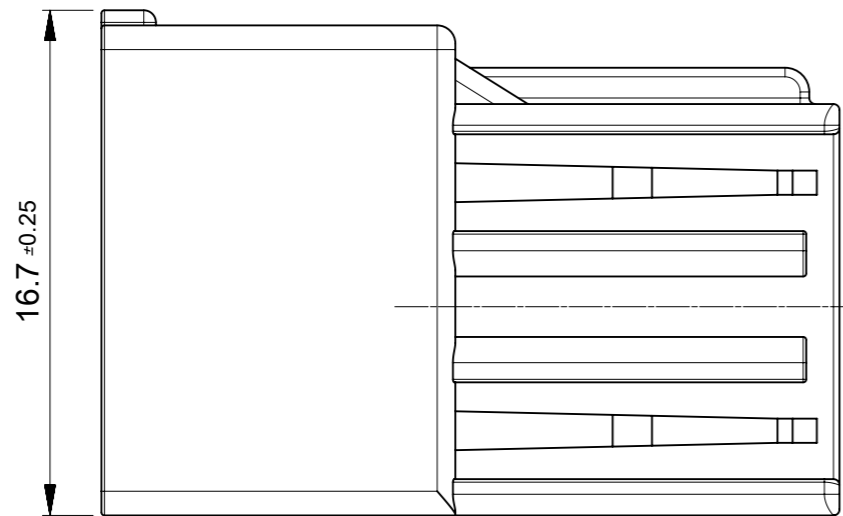
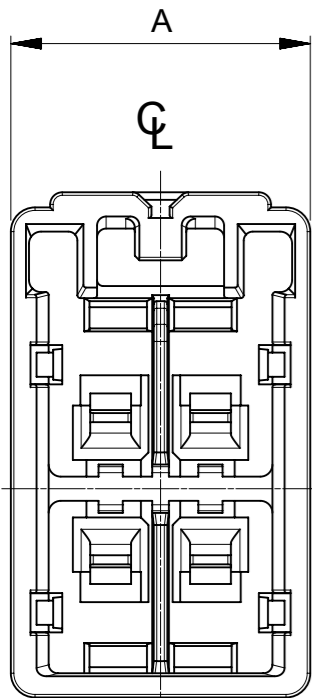
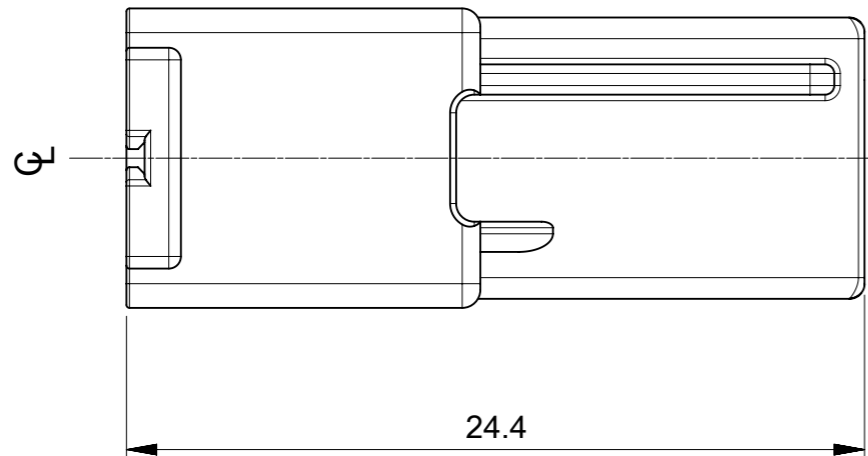
| | | | | | | |
|------------------|----------------------|------------|------------|------------|------------|------------|
| 505606120* | 5046950607 | 12 | 5056051203 | 5056051202 | 5056051201 | 5056051200 |
| 505606100* | 5046950507 | 10 | 5056051003 | 5056051002 | 5056051001 | 5056051000 |
| 505606080* | 5046950407 | 8 | 5056050803 | 5056050802 | 5056050801 | 5056050800 |
| 505606060* | 5046950307 | 6 | 5056050603 | 5056050602 | 5056050601 | 5056050600 |
| 505606040* | 5046950207 | 4 | 5056050403 | 5056050402 | 5056050401 | 5056050400 |
| MATE WITH | CONFORTABLE-RETAINER | 極数 CKT. | YELLOW | RED | BLACK | NATURAL |
| BAG PACKAGE | | | | | | |
| オーダー番号 ORDER NO. | | | | | | |

THIS DRAWING CONTAINS INFORMATION THAT IS PROPRIETARY TO MOLEX ELECTRONIC TECHNOLOGIES, LLC AND SHOULD NOT BE USED WITHOUT WRITTEN PERMISSION

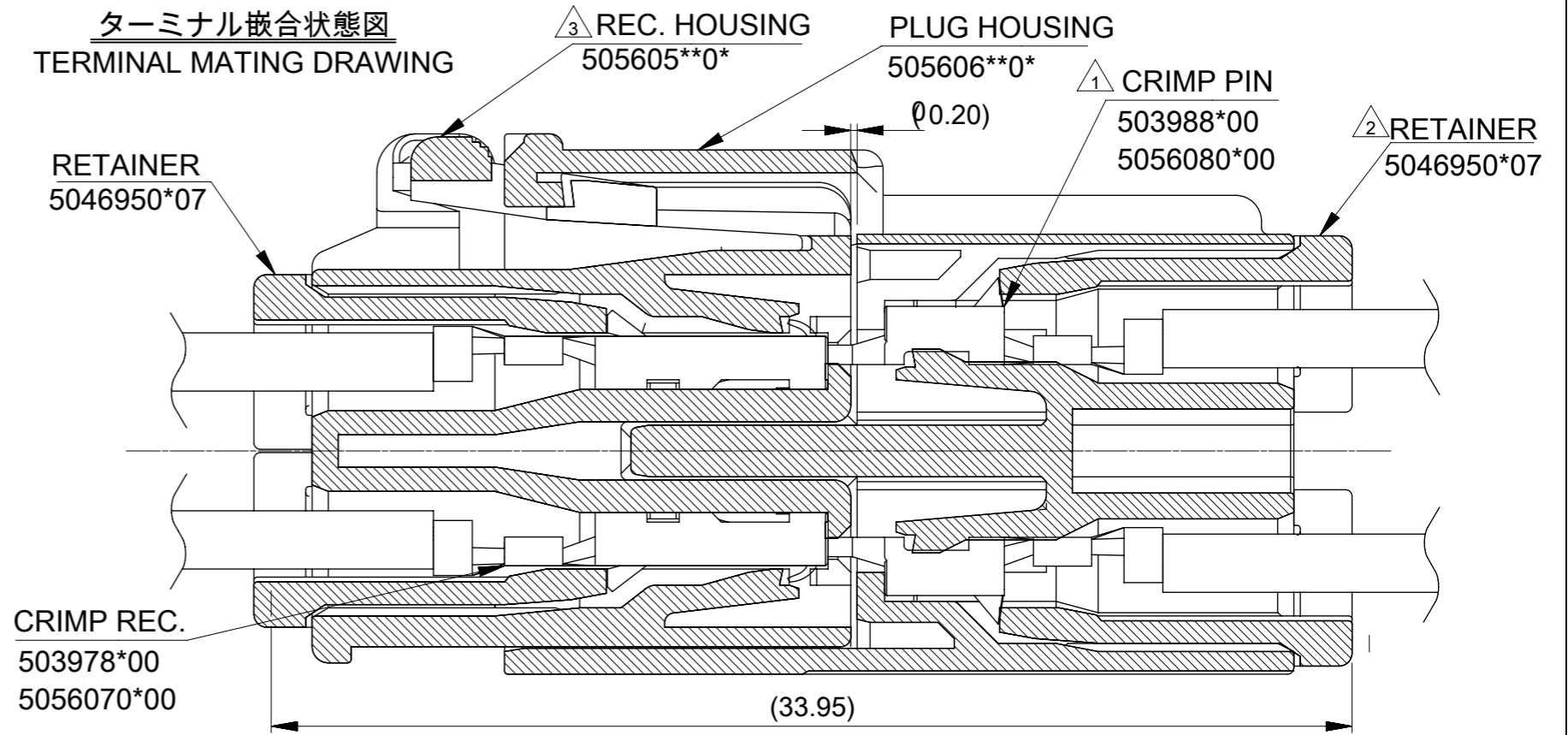
| | | | | | | | | |
|---|------------|------------|------------|---|-----------------|------------------------|--------------------|---------------------|
| EC NO: 168281 DRWN: NITO CHK'D: SAKIYAMA APPR: TKANEKO | 2017/11/21 | 2017/11/22 | 2017/11/22 | GENERAL TOLERANCES (UNLESS SPECIFIED) ANGULAR TOL ± 3.0 ° 4 PLACES ± 0.2 3 PLACES ± 0.2 2 PLACES ± 0.2 1 PLACE ± 0.2 0 PLACES ± 0.2 DRAFT WHERE APPLICABLE MUST REMAIN WITHIN DIMENSIONS | DIMENSION UNITS | SCALE | | |
| | | | | | mm | 4:1 | | |
| | | | | | DRWN BY | DATE | | KOMORI 2016/11/02 |
| | | | | | CHK'D BY | DATE | | SAKIYAMA 2017/02/08 |
| | | | | | APPR BY | DATE | TKANEKO 2017/02/08 | |
| | | | | | DRAWING SIZE | THIRD ANGLE PROJECTION | | |
| | | | | | A3 | | | |
| RELEASE STATUS | | | P1 | RELEASE DATE | 22.11.2017 | 10:02:10 | | |

| | | |
|--------------------------|-----------------|----------|
| PRODUCT CUSTOMER DRAWING | | |
| SERIES | MATERIAL NUMBER | CUSTOMER |
| 505605 | 5056050000 | GENERAL |
| DOCUMENT NUMBER | DOC TYPE | DOC PART |
| 5056050000 | PSD | 000 |
| SHEET NUMBER | | 2 OF 2 |

SHAPE OF 4CKTS



ターミナル嵌合状態図
TERMINAL MATING DRAWING

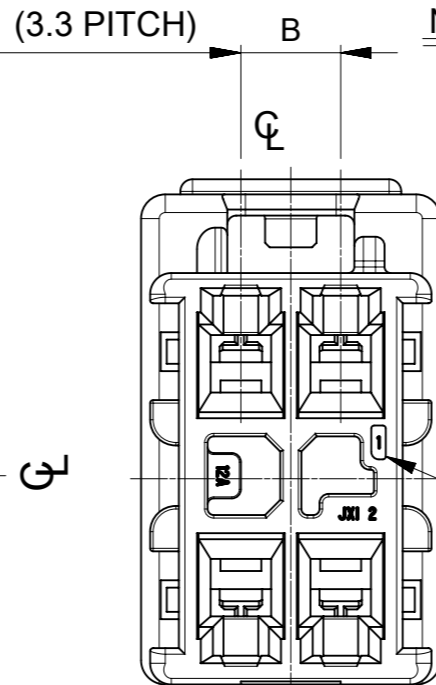


注記
NOTES

- ① 適合ターミナル:50398,505608 シリーズ。
APPLICABLE TERMINAL: 50398,505608 SERIES.
- ② 適合リテーナー : 504695 シリーズ。
APPLICABLE RETAINER:504695 SERIES.
- ③ 嵌合相手:505605 シリーズ。
MATE WITH : 505605 SERIES.
- 4. 材質 : POLYESTER(PBT),UL94V-0
MATERIAL:POLYESTER(PBT),UL94V-0

5. MATERIAL NO. は以下の内容を示す。
MATERIAL NO.

| | | |
|-------------|--------|---------|
| 505606 **0* | 色 | |
| 極数 | 色 | |
| CKT | 0. 自然色 | NATURAL |
| | 1. 黒 | BLACK |
| | 2. 赤 | RED |
| | 3. 黄 | YELLOW |



回路番号1マーク
CKT. NO. 1 MARK

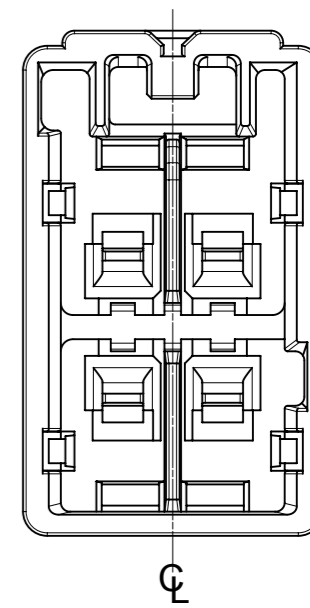
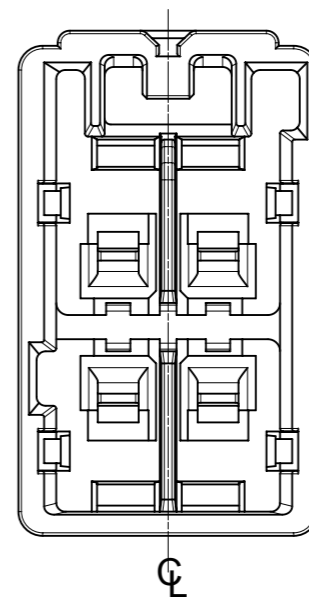
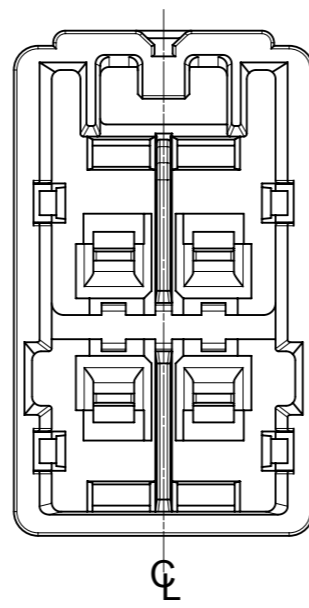
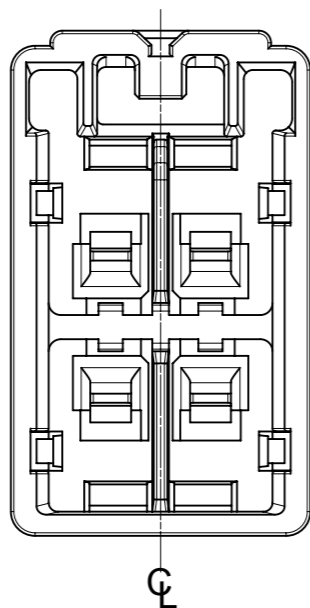
| | | | | |
|------|------|---------|-------------|------------|
| 16.5 | 23.1 | 12 | 505606120* | 505606**0* |
| 13.2 | 19.8 | 10 | 505606100* | |
| 9.9 | 16.5 | 8 | 505606080* | |
| 6.6 | 13.2 | 6 | 505606060* | |
| 3.3 | 9.9 | 4 | 505606040* | |
| (B) | A | 極数 CKT. | BAG PACKAGE | MODEL NO. |
| | | | オーダー番号 | ORDER NO. |

THIS DRAWING CONTAINS INFORMATION THAT IS PROPRIETARY TO MOLEX ELECTRONIC TECHNOLOGIES, LLC AND SHOULD NOT BE USED WITHOUT WRITTEN PERMISSION

| | | | | | | |
|---|--|---------------------------------------|---------------------|------------------------|-------------------------------------|------------|
| EC NO: 168281 DRWN: NITO CHK'D: SAKIYAMA APPR: TKANEKO | 2017/11/21 | GENERAL TOLERANCES (UNLESS SPECIFIED) | DIMENSION UNITS | SCALE | | |
| | 2017/11/22 | | mm | 4:1 | | |
| | 2017/11/22 | | ANGULAR TOL ± 3.0 ° | DRWN BY | | DATE |
| | | | 4 PLACES ± 0.2 | QHE31 | | 2016/11/01 |
| | 3 PLACES ± 0.2 | | CHK'D BY | DATE | CP 3.3 W/W DUAL ROW PLUG HOUSING | |
| | 2 PLACES ± 0.2 | SAKIYAMA | 2017/02/08 | | | |
| | 1 PLACE ± 0.2 | | APPR BY | DATE | | |
| | 0 PLACES ± 0.2 | TKANEKO | 2017/02/08 | | | |
| | DRAFT WHERE APPLICABLE MUST REMAIN WITHIN DIMENSIONS | | DRAWING SIZE | THIRD ANGLE PROJECTION | PRODUCT CUSTOMER DRAWING | |
| | | | A3 | | SERIES | |
| | | | | | 505606 | |
| | | | | | MATERIAL NUMBER | |
| | | | | | 5056060000 | |
| | | | | | CUSTOMER | |
| | | | | | GENERAL | |
| | | | | | DOCUMENT NUMBER | |
| | | | | | 5056060000 | |
| | | | | | DOC TYPE | |
| | | | | | PSD | |
| | | | | | DOC PART | |
| | | | | | 000 | |
| | | | | | SHEET NUMBER | |
| | | | | | 1 OF 2 | |

MATING
KEY TYPE & COLOR

REFERENCE 4 CKTS



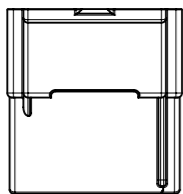
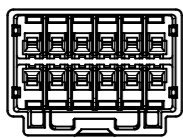
KEY TYPE : 1 COLOR : NATURAL
MATERIAL NO. : 5056060400

KEY TYPE : 2 COLOR : BLACK
MATERIAL NO. : 5056060401

KEY TYPE : 3 COLOR : RED
MATERIAL NO. : 5056060402

KEY TYPE : 4 COLOR : YELLOW
MATERIAL NO. : 5056060403

| | | | | | | |
|------------------|----------------------|------------|------------|------------|------------|------------|
| 505605120* | 5046950607 | 12 | 5056061203 | 5056061202 | 5056061201 | 5056061200 |
| 505605100* | 5046950507 | 10 | 5056061003 | 5056061002 | 5056061001 | 5056061000 |
| 505605080* | 5046950407 | 8 | 5056060803 | 5056060802 | 5056060801 | 5056060800 |
| 505605060* | 5046950307 | 6 | 5056060603 | 5056060602 | 5056060601 | 5056060600 |
| 505605040* | 5046950207 | 4 | 5056060403 | 5056060402 | 5056060401 | 5056060400 |
| MATE WITH | CONFORTABLE-RETAINER | 極数 CKT. | YELLOW | RED | BLACK | NATURAL |
| BAG PACKAGE | | | | | | |
| オーダー番号 ORDER NO. | | | | | | |



CKT1 MARK

VIEW OF 4,6,8,10,12CKTS
(SCALE 1:1)

THIS DRAWING CONTAINS INFORMATION THAT IS PROPRIETARY TO MOLEX ELECTRONIC TECHNOLOGIES, LLC AND SHOULD NOT BE USED WITHOUT WRITTEN PERMISSION

| | | | | | | | | |
|---|----------------|--|---------------------|------------------------|-------------------------------------|-----------------|----------|--------------|
| EC NO: 168281 DRWN: NITO CHK'D: SAKIYAMA APPR: TKANEKO | 2017/11/21 | GENERAL TOLERANCES (UNLESS SPECIFIED) | DIMENSION UNITS | SCALE | | | | |
| | 2017/11/22 | | mm | 4:1 | | | | |
| | 2017/11/22 | | ANGULAR TOL ± 3.0 ° | DRWN BY | | DATE | | |
| | | | 4 PLACES ± 0.2 | QHE31 | | 2016/11/01 | | |
| | 3 PLACES ± 0.2 | | CHK'D BY | DATE | CP 3.3 W/W DUAL ROW PLUG HOUSING | | | |
| | 2 PLACES ± 0.2 | SAKIYAMA | 2017/02/08 | | | | | |
| | 1 PLACE ± 0.2 | TKANEKO | 2017/02/08 | | | | | |
| | 0 PLACES ± 0.2 | | APPR BY | DATE | PRODUCT CUSTOMER DRAWING | | | |
| | | DRAFT WHERE APPLICABLE MUST REMAIN WITHIN DIMENSIONS | DRAWING SIZE | THIRD ANGLE PROJECTION | SERIES | MATERIAL NUMBER | CUSTOMER | |
| | | | A3 | | 505606 | 5056060000 | GENERAL | |
| | | | | | DOCUMENT NUMBER | DOC TYPE | DOC PART | SHEET NUMBER |
| | | | | | 5056060000 | PSD | 000 | 2 OF 2 |