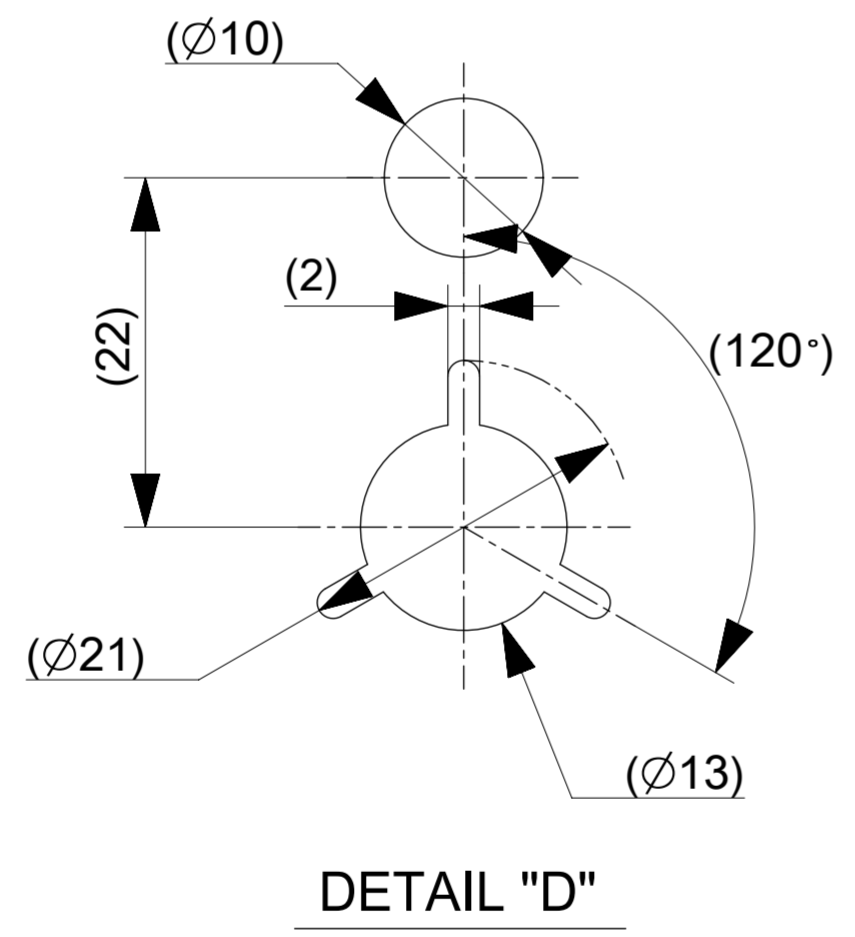
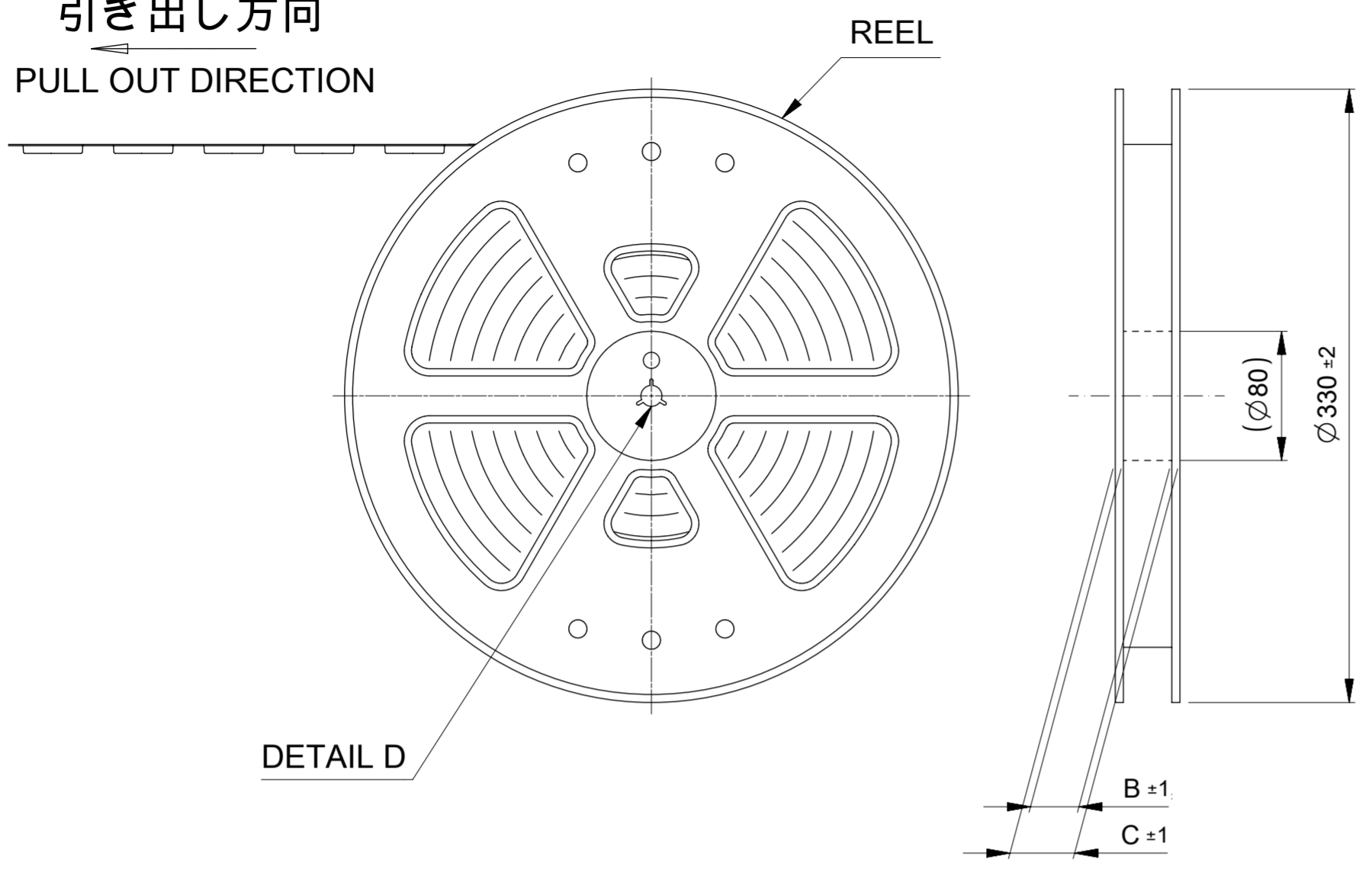
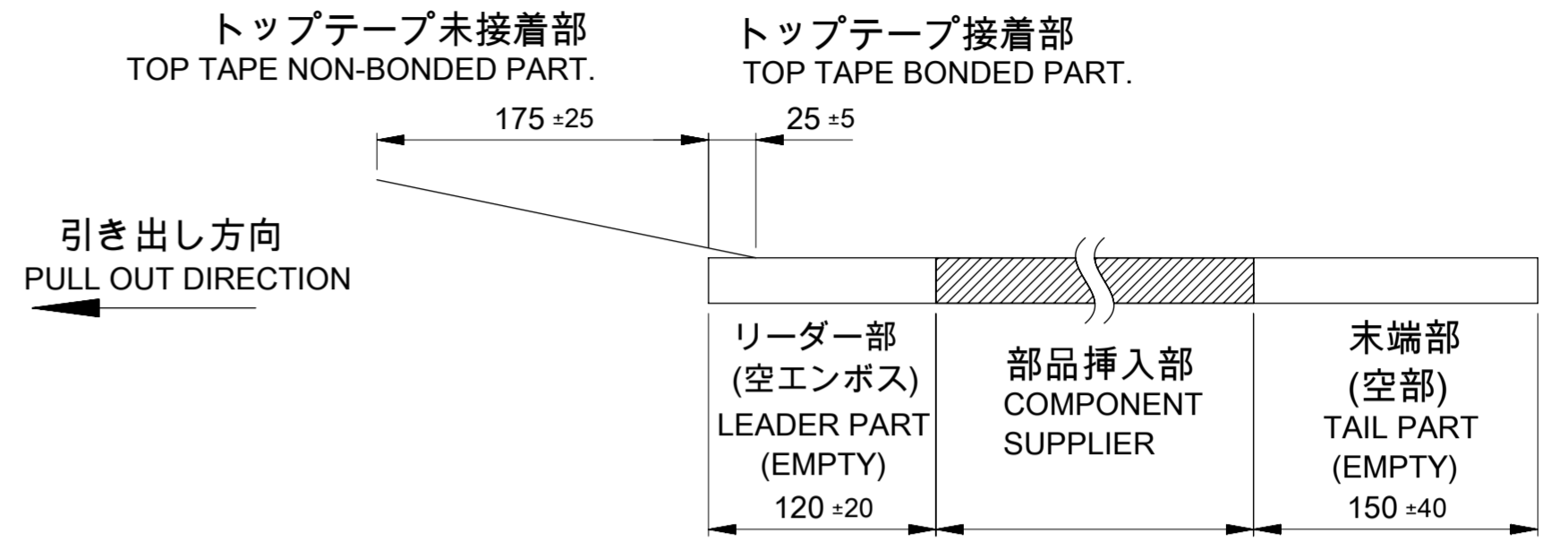


引き出し方向  
PULL OUT DIRECTION



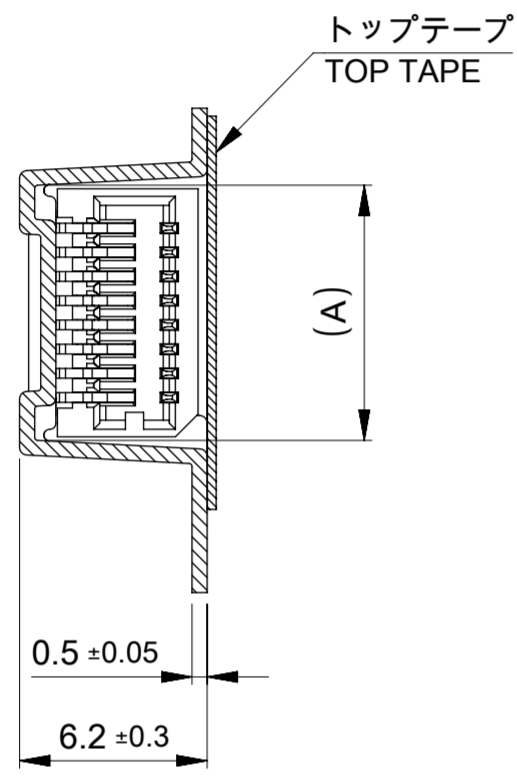
注記 NOTES

- 梱包数量 : 1000個/リール NUMBER OF CONNECTORS : 1000PCS/REEL
- リードテープ長さ LEAD TAPE LENGTH

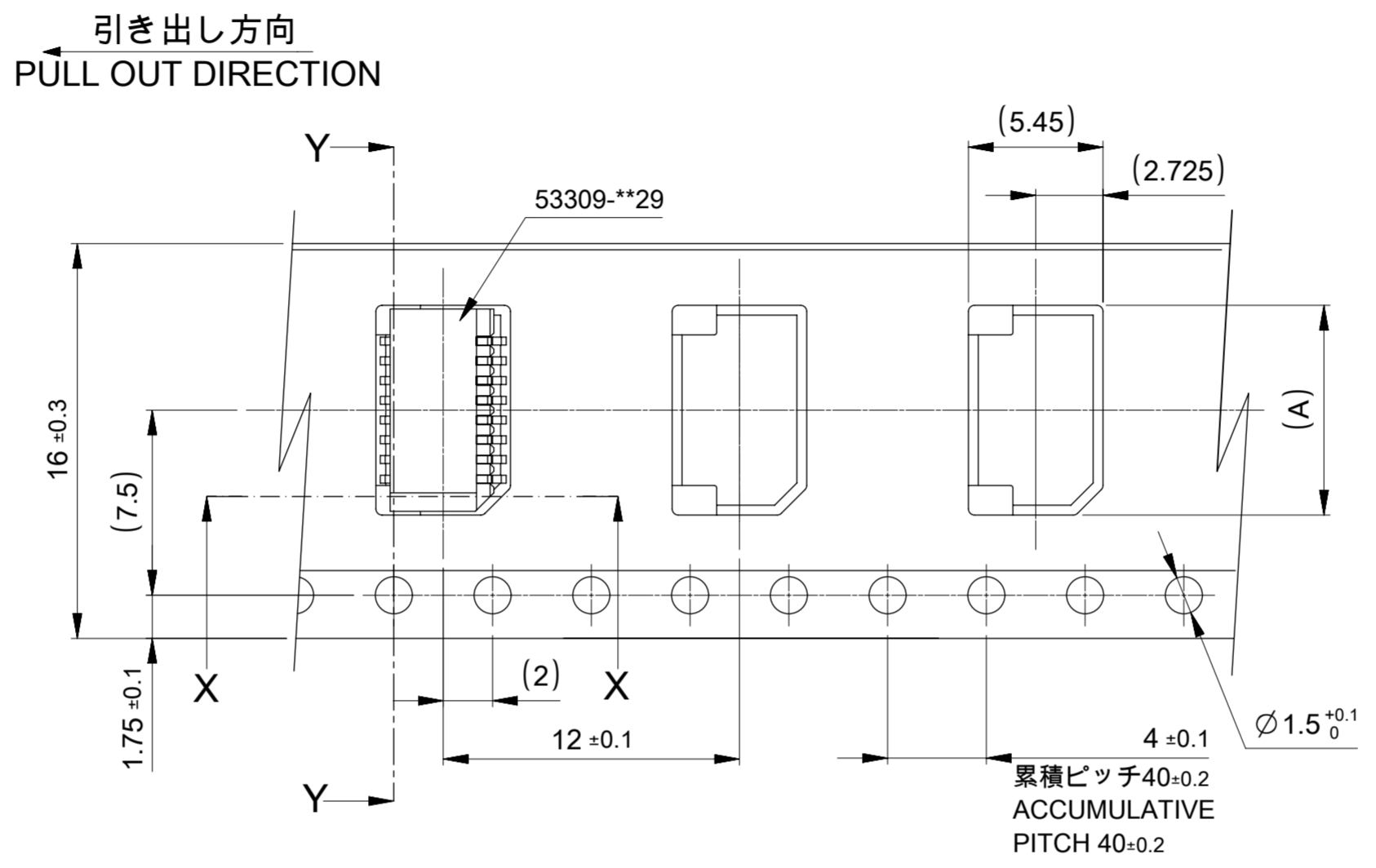


- トップテープの剥離強度についてはIEC60286-3に準拠。  
TOP TAPE PEEL FORCE IS DEFINED BY IEC60286-3.
- 材料 キャリアテープ : ポリプロピレン (PP)  
トップテープ : PET, PE, PEF  
リール : ポリスチレン (PS) <リサイクル材を含む>  
MATERIAL  
CARRIER TAPE : POLYPROPYLENE  
TOP TAPE : PET, PE, PEF  
REEL : POLYSTYRENE (PS) < CONTAINED RECYCLE MATERIAL >
- 本製品は53309-\*\*91の鉛フリー品である。  
THIS PRODUCT IS LEAD FREE OF 53309-\*\*91.

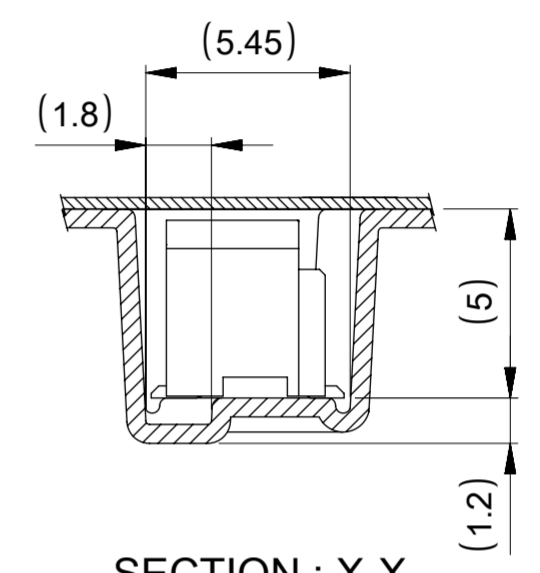
THIS DRAWING CONTAINS INFORMATION THAT IS PROPRIETARY TO MOLEX ELECTRONIC TECHNOLOGIES, LLC AND SHOULD NOT BE USED WITHOUT WRITTEN PERMISSION									
DIMENSION UNITS <b>mm</b>		SCALE <b>NTS</b>		CURRENT REV DESC:				<b>molex</b>	
GENERAL TOLERANCES (UNLESS SPECIFIED)		EC NO: 653700		DRWN: AHMADI2 2021/02/03		0.8 MM PITCH B-TO-B CONN. PLUG (WITHOUT BOSS) EMBOSS TAPE PACKAGE			
ANGULAR TOL ±		4 PLACES ±		CHK'D: HSHIMOYAMA 2021/02/26		PRODUCT CUSTOMER DRAWING		DOCUMENT NUMBER	
3 PLACES ±		2 PLACES ±		APPR: SHOSHIKAWA 2021/02/26		INITIAL REVISION:		533090000	
1 PLACE ±		0 PLACES ±		DRWN: YSATO06 2017/03/23		APPR: TKUSUHARA01 2017/03/27		DOC TYPE   DOC PART   REVISION PSD   000   B	
DRAFT WHERE APPLICABLE MUST REMAIN WITHIN DIMENSIONS		THIRD ANGLE PROJECTION		DRAWING A2-SIZE		SERIES 53309		MATERIAL NUMBER SEE CHART	
CUSTOMER		SHEET NUMBER 1 OF 3							



SECTION : Z-Z



16mm幅キャリアテープ  
16mm WIDTH CARRIER TAPE

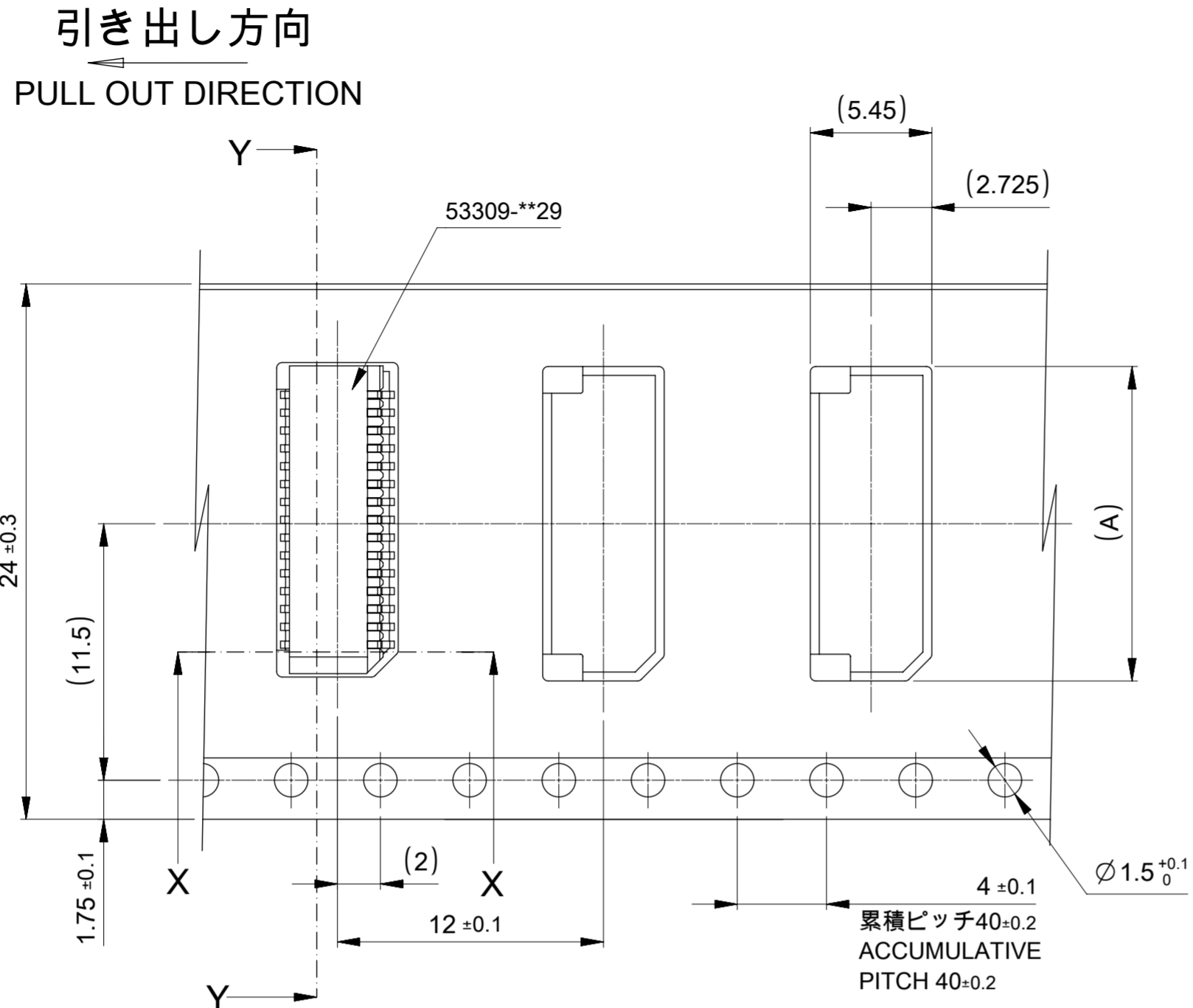
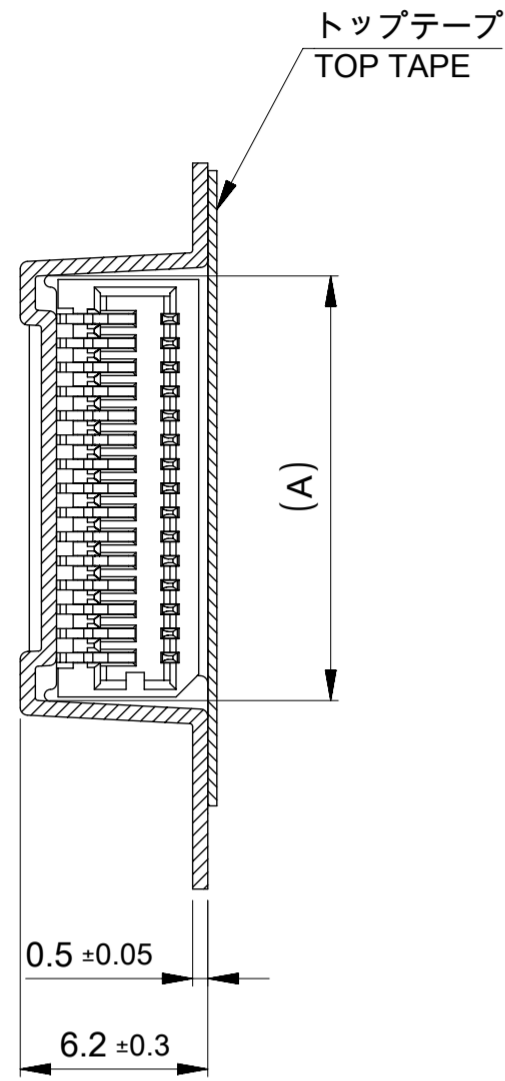


SECTION : X-X

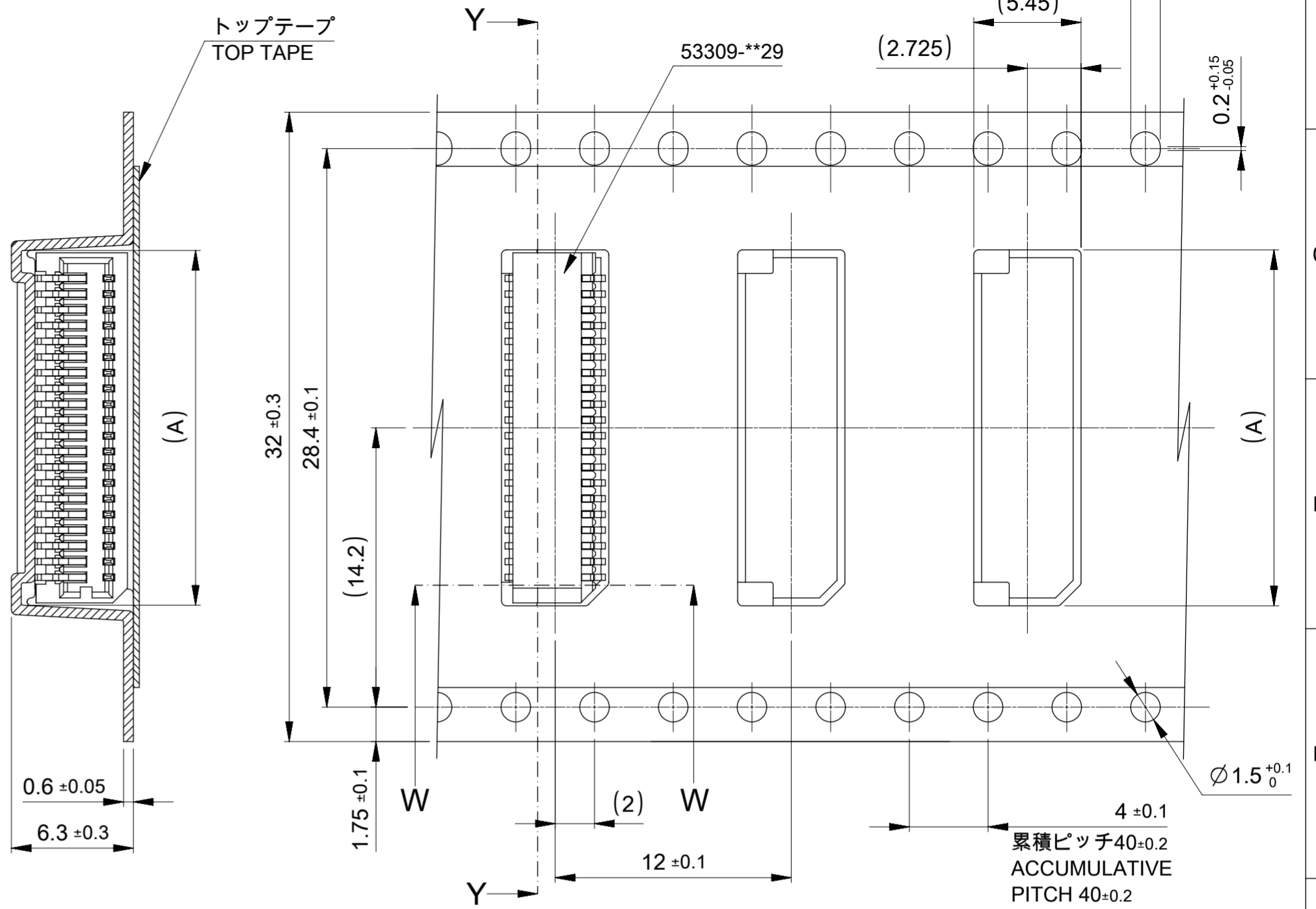
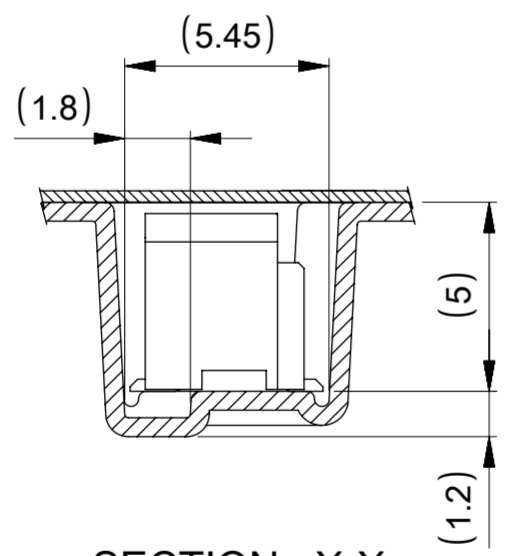
16	21.4	17.4	9.3	53309-1870	18	
			8.5	53309-1670	16	
			7.7	53309-1470	14	
			6.9	53309-1270	12	
			6.1	53309-1070	10	
キャリアテープ幅 CARRIER TAPE WIDTH		C	B	(A)	EMBOSSED TAPE PACKAGE ORDER NO	極数 CIRCUITS

THIS DRAWING CONTAINS INFORMATION THAT IS PROPRIETARY TO MOLEX ELECTRONIC TECHNOLOGIES, LLC AND SHOULD NOT BE USED WITHOUT WRITTEN PERMISSION

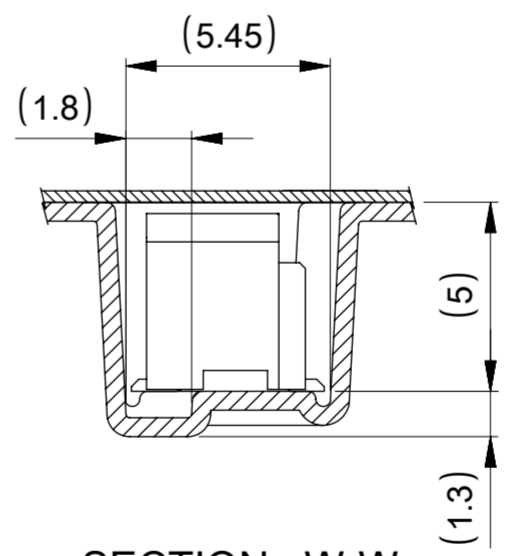
DIMENSION UNITS <b>mm</b>	SCALE <b>NTS</b>	CURRENT REV DESC:		<b>molex</b>		
GENERAL TOLERANCES (UNLESS SPECIFIED)		EC NO: 653700				
ANGULAR TOL	±	4 PLACES	±	DRWN: AHMADI2	2021/02/03	PRODUCT CUSTOMER DRAWING
3 PLACES	±	2 PLACES	±	CHK'D: HSHIMOYAMA	2021/02/26	
2 PLACES	±	1 PLACE	±	APPR: SHOSHIKAWA	2021/02/26	DOCUMENT NUMBER
1 PLACE	±	0 PLACES	±	INITIAL REVISION:		<b>533090000</b>
DRAFT WHERE APPLICABLE MUST REMAIN WITHIN DIMENSIONS		THIRD ANGLE PROJECTION		DRWN: YSATO06	2017/03/23	DOC TYPE
				APPR: TKUSUHARA01	2017/03/27	DOC PART
				DRAWING	SERIES	REVISION
				A2-SIZE	53309	<b>B</b>
				MATERIAL NUMBER	CUSTOMER	SHEET NUMBER
				SEE CHART		2 OF 3



24mm幅キャリアテープ  
24mm WIDTH CARRIER TAPE



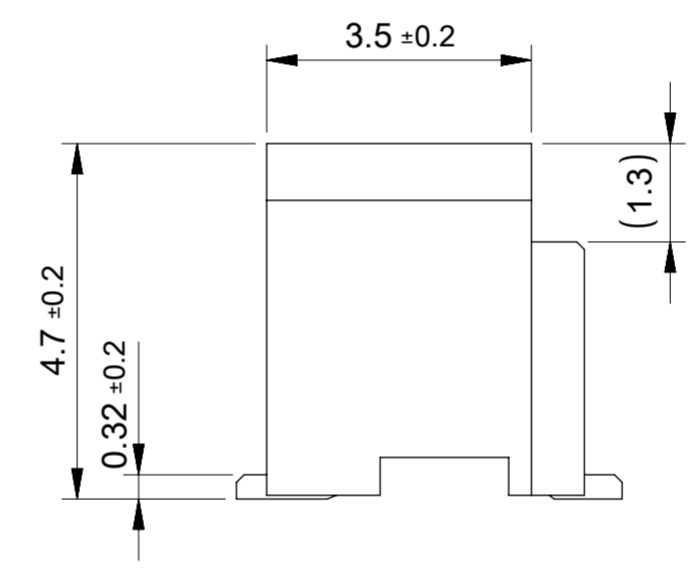
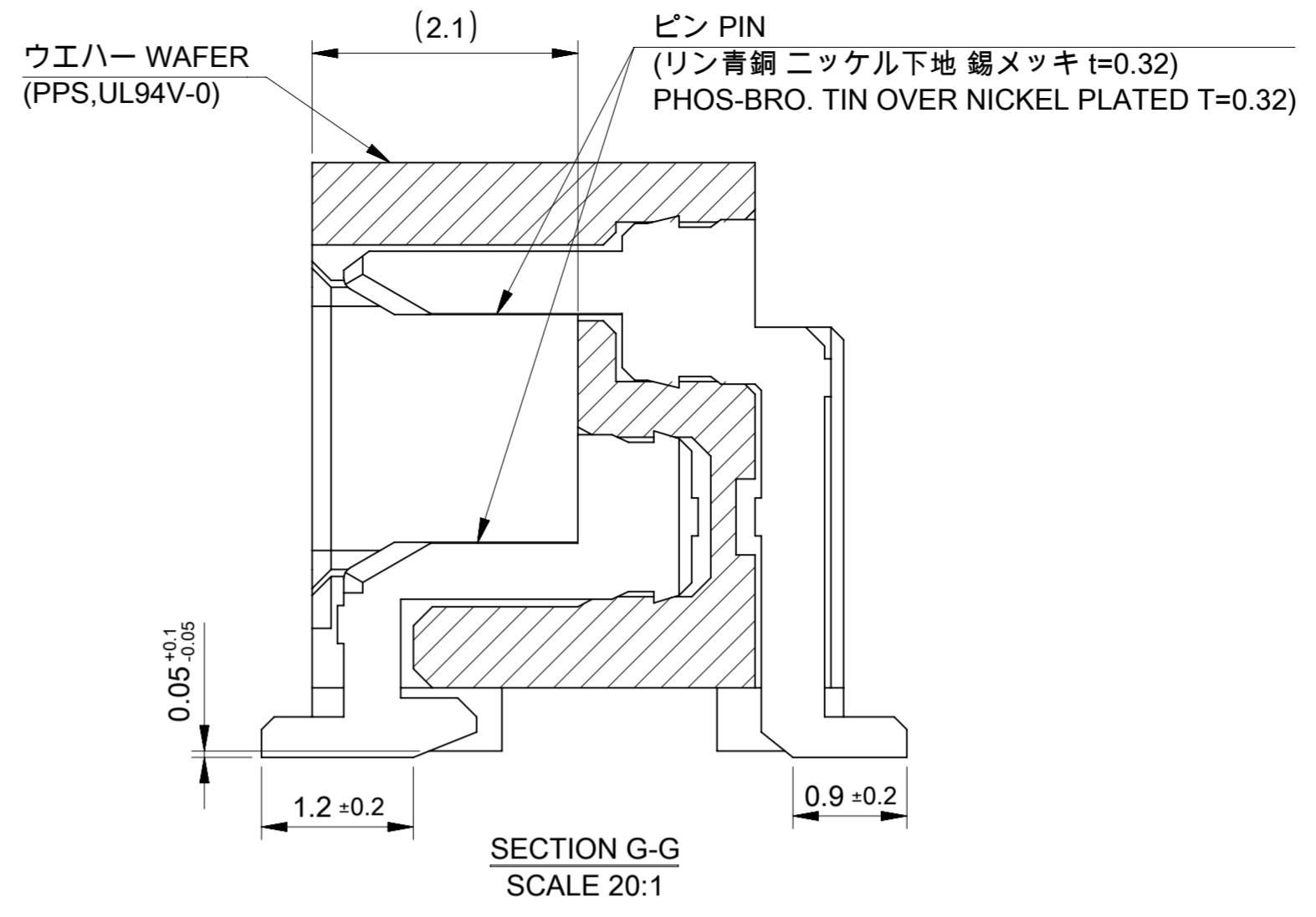
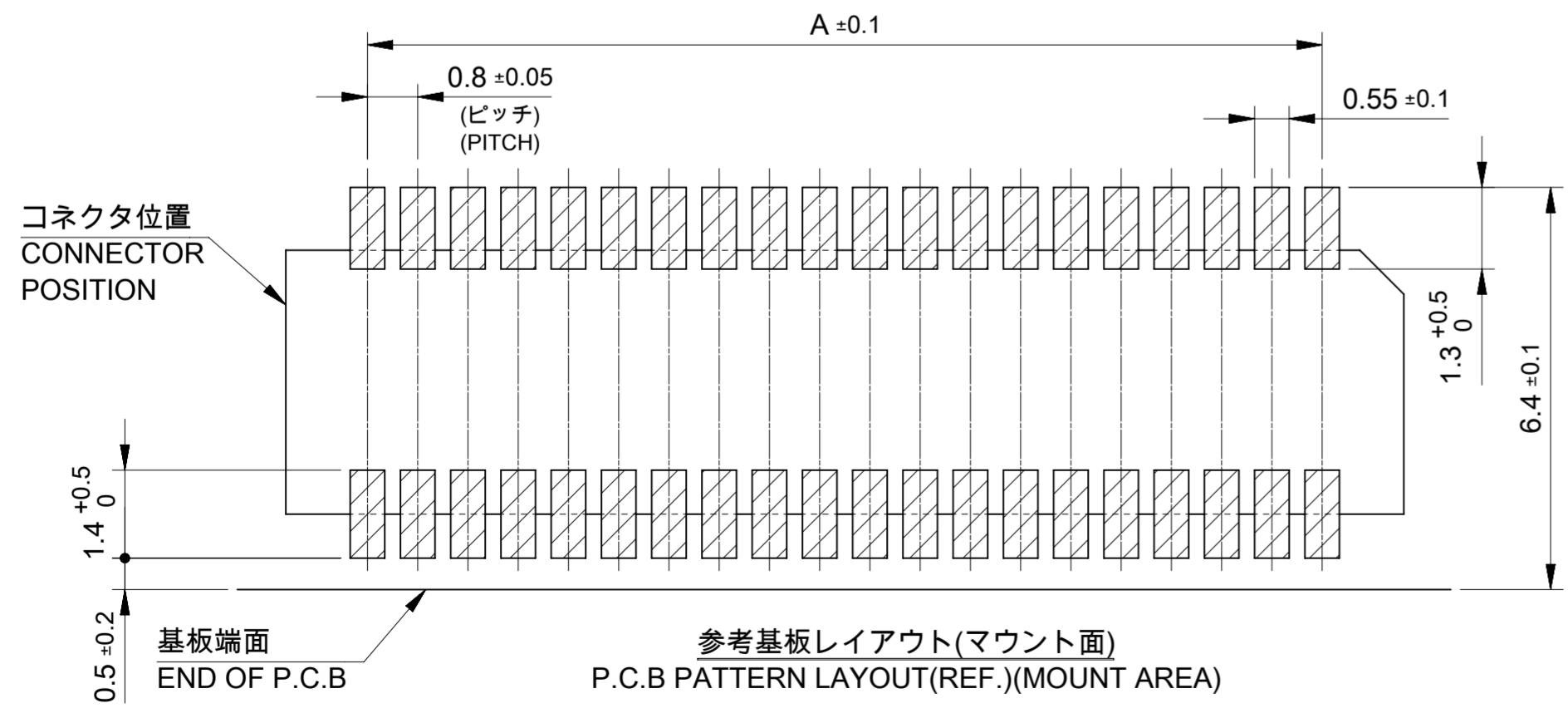
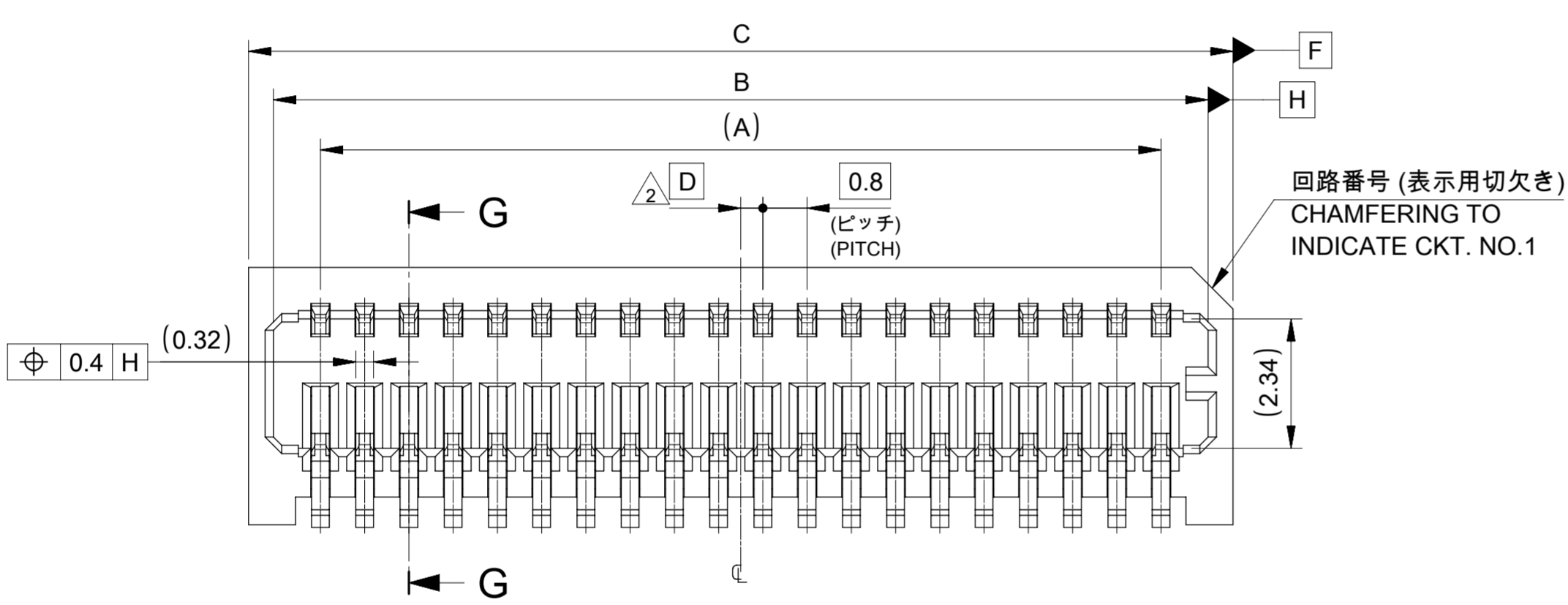
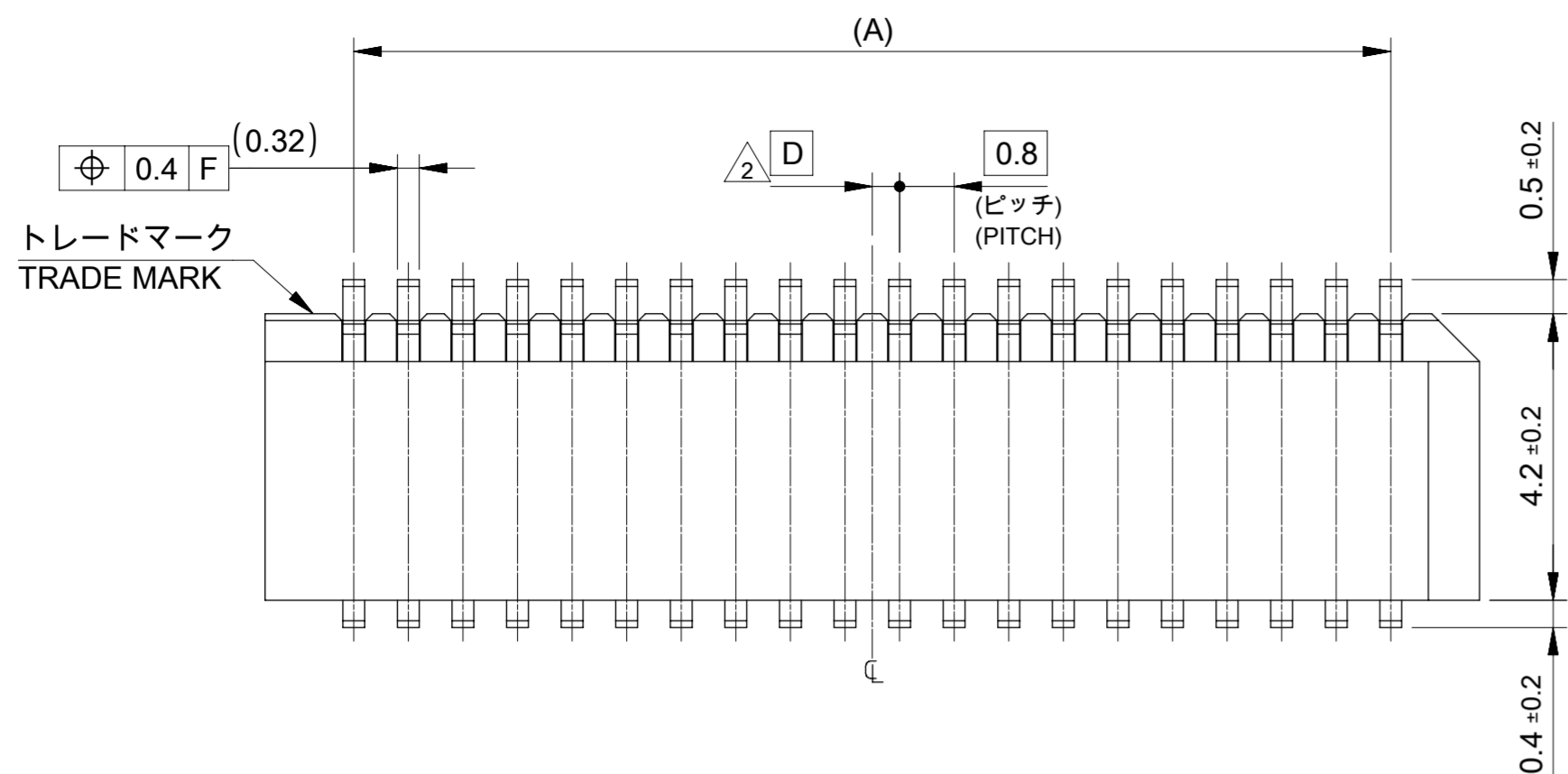
32mm幅キャリアテープ  
32mm WIDTH CARRIER TAPE



32	37.4	33.4	18.1	53309-4070	40
24	29.4	25.4	16.5	53309-3670	36
			14.9	53309-3270	32
			14.1	53309-3070	30
			13.3	53309-2870	28
			12.5	53309-2670	26
			11.7	53309-2470	24
			10.9	53309-2270	22
			10.1	53309-2070	20
キャリアテープ幅 CARRIER TAPE WIDTH	C	B	(A)	EMBOSSED TAPE PACKAGE ORDER NO	極数 CIRCUIT

THIS DRAWING CONTAINS INFORMATION THAT IS PROPRIETARY TO MOLEX ELECTRONIC TECHNOLOGIES, LLC AND SHOULD NOT BE USED WITHOUT WRITTEN PERMISSION

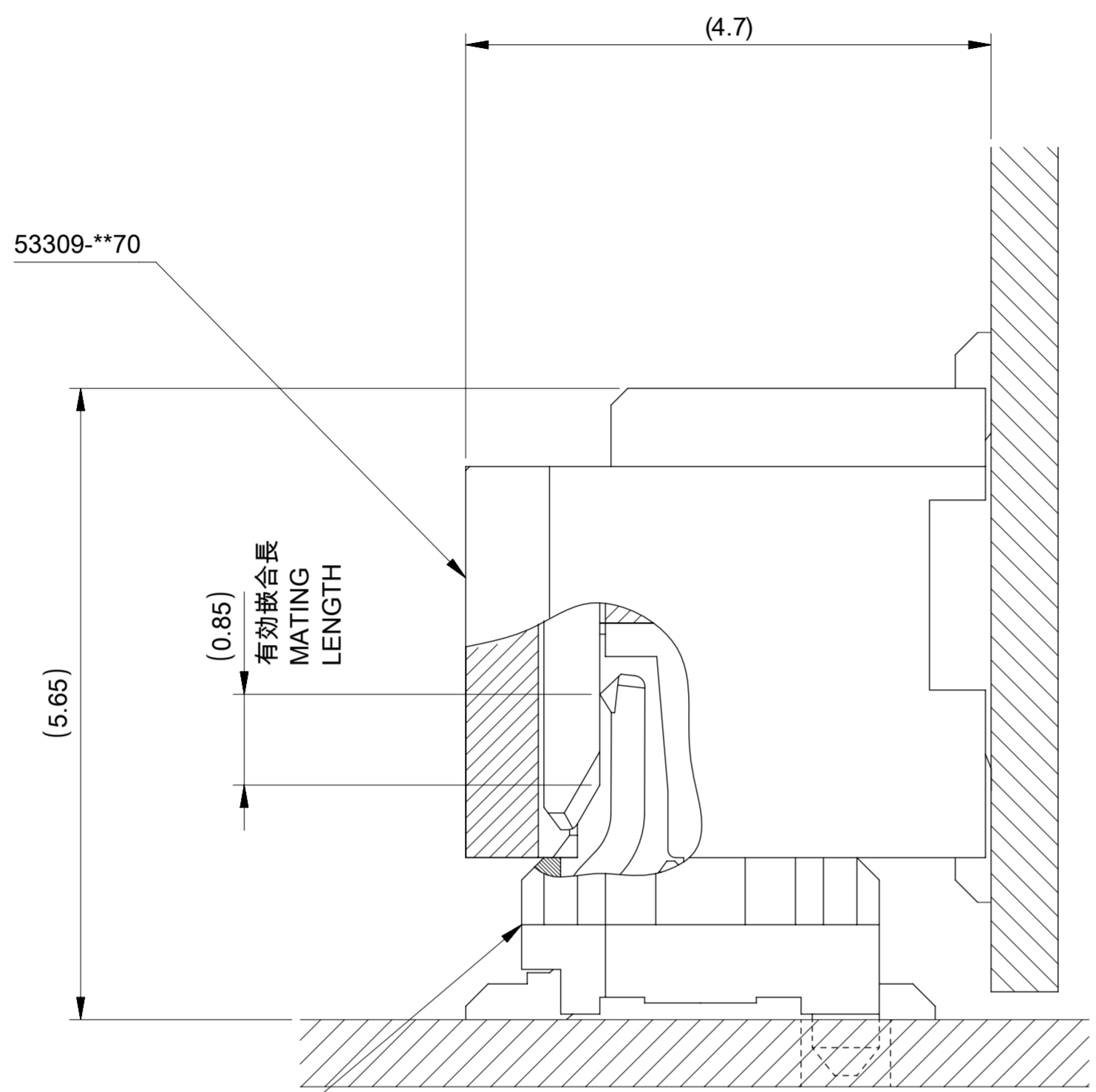
DIMENSION UNITS	SCALE	CURRENT REV DESC:	<b>molex</b>			
mm	NTS					
GENERAL TOLERANCES (UNLESS SPECIFIED)			<b>0.8 MM PITCH B-TO-B CONN. PLUG (WITHOUT BOSS) EMBOSS TAPE PACKAGE</b>			
ANGULAR TOL	±					
4 PLACES	±	EC NO: 653700				
3 PLACES	±	DRWN: AHMADI2 2021/02/03				
2 PLACES	±	CHK'D: HSHIMOYAMA 2021/02/26				
1 PLACE	±	APPR: SHOSHIKAWA 2021/02/26	PRODUCT CUSTOMER DRAWING			
0 PLACES	±	INITIAL REVISION:	DOCUMENT NUMBER	DOC TYPE	DOC PART	REVISION
		DRWN: YSATO06 2017/03/23	533090000	PSD	000	B
		APPR: TKUSUHARA01 2017/03/27				
DRAFT WHERE APPLICABLE MUST REMAIN WITHIN DIMENSIONS	THIRD ANGLE PROJECTION	DRAWING	SERIES	MATERIAL NUMBER	CUSTOMER	SHEET NUMBER
		A2-SIZE	53309	SEE CHART		3 OF 3



0.4	17.8	16.9	15.2	53309-4070	40
0.4	16.2	15.3	13.6	53309-3670	36
0.4	14.6	13.7	12.0	53309-3270	32
0.8	13.8	12.9	11.2	53309-3070	30
0.4	13.0	12.1	10.4	53309-2870	28
0.8	12.2	11.3	9.6	53309-2670	26
0.4	11.4	10.5	8.8	53309-2470	24
0.8	10.6	9.7	8.0	53309-2270	22
0.4	9.8	8.9	7.2	53309-2070	20
0.8	9.0	8.1	6.4	53309-1870	18
0.4	8.2	7.3	5.6	53309-1670	16
0.8	7.4	6.5	4.8	53309-1470	14
0.4	6.6	5.7	4.0	53309-1270	12
0.8	5.8	4.9	3.2	53309-1070	10
D	C	B	A	EMBOSSD TAPE PACKAGE ORDER NO	極数 CIRCUIT

THIS DRAWING CONTAINS INFORMATION THAT IS PROPRIETARY TO MOLEX ELECTRONIC TECHNOLOGIES, LLC AND SHOULD NOT BE USED WITHOUT WRITTEN PERMISSION

DIMENSION UNITS	SCALE	CURRENT REV DESC:	<b>molex</b>		
mm	10:1				
GENERAL TOLERANCES (UNLESS SPECIFIED)			0.8 MM PITCH B-TO-B CONN. PLUG (WITHOUT BOSS)		
ANGULAR TOL	±				
4 PLACES	±	EC NO: 656567	PRODUCT CUSTOMER DRAWING		
3 PLACES	±	DRWN: AHMADI2 2021/02/03			
2 PLACES	±	CHK'D: HSHIMOYAMA 2021/02/26	DOCUMENT NUMBER		
1 PLACE	±	APPR: SHOSHIKAWA 2021/02/26			
0 PLACES	±	INITIAL REVISION:	533091000		
DRAFT WHERE APPLICABLE MUST REMAIN WITHIN DIMENSIONS					
THIRD ANGLE PROJECTION			DOC TYPE	DOC PART	REVISION
DRAWING			PSD	000	B
SERIES			SHEET NUMBER		
A2-SIZE			1 OF 2		
MATERIAL NUMBER			SEE CHART		
CUSTOMER					



NOTES :

1. 嵌合相手 : 52465シリーズ  
MATE WITH : 52465 SERIES.
- △ 2. ウェハーの ㄥ から隣接するピンの ㄥ 迄の位置を示す。  
SHOW POSSITION FROM ㄥ OF WAFER TO ㄥ OF ADJACENT PINS.
3. 本製品は53309-\*\*27 の鉛フリー品である。  
THIS PRODUCT IS LEAD FREE OF 53309-\*\*27.
4. B,C 寸法公差  
DIMENSION TOLERACES OF B,C.

DIMENSION	TOLERANCE
10 UNDER	± 0.2
10 OVER 30 UNDER	± 0.25
30 OVER	± 0.3

嵌合相手 MATE WITH  
52465-\*\*70 (BOSSあり WITH BOSS)  
52465-\*\*71 (BOSS無し WITHOUT BOSS)

嵌合状態図(参考)  
MATED DRAWING (REF.)

THIS DRAWING CONTAINS INFORMATION THAT IS PROPRIETARY TO MOLEX ELECTRONIC TECHNOLOGIES, LLC AND SHOULD NOT BE USED WITHOUT WRITTEN PERMISSION										
DIMENSION UNITS <b>mm</b>		SCALE <b>20:1</b>		CURRENT REV DESC:				<b>molex</b>		
GENERAL TOLERANCES (UNLESS SPECIFIED)		ANGULAR TOL ± °		EC NO: 656567						
4 PLACES ±		3 PLACES ±		DRWN: AHMADI2 2021/02/03				0.8 MM PITCH B-TO-B CONN. PLUG (WITHOUT BOSS)		
2 PLACES ±		1 PLACE ±		CHK'D: HSHIMOYAMA 2021/02/26						
0 PLACES ±		DRAFT WHERE APPLICABLE MUST REMAIN WITHIN DIMENSIONS		APPR: SHOSHIKAWA 2021/02/26				PRODUCT CUSTOMER DRAWING		
THIRD ANGLE PROJECTION		DRAWING		SERIES		DOCUMENT NUMBER		DOC TYPE	DOC PART	REVISION
A2-SIZE		53309		MATERIAL NUMBER		CUSTOMER		533091000	PSD	000 B
SEE CHART				SHEET NUMBER				2 OF 2		