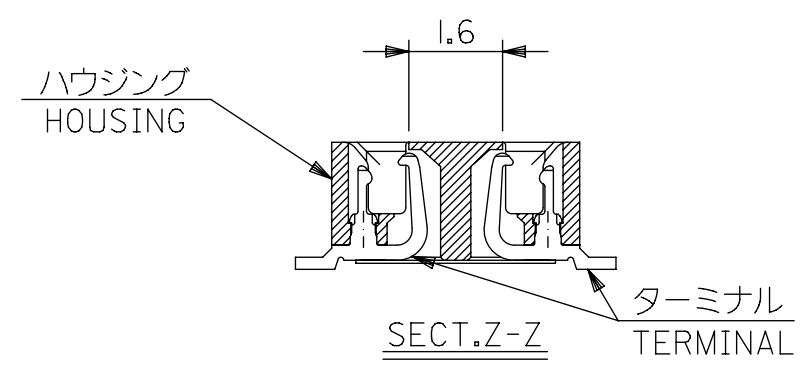
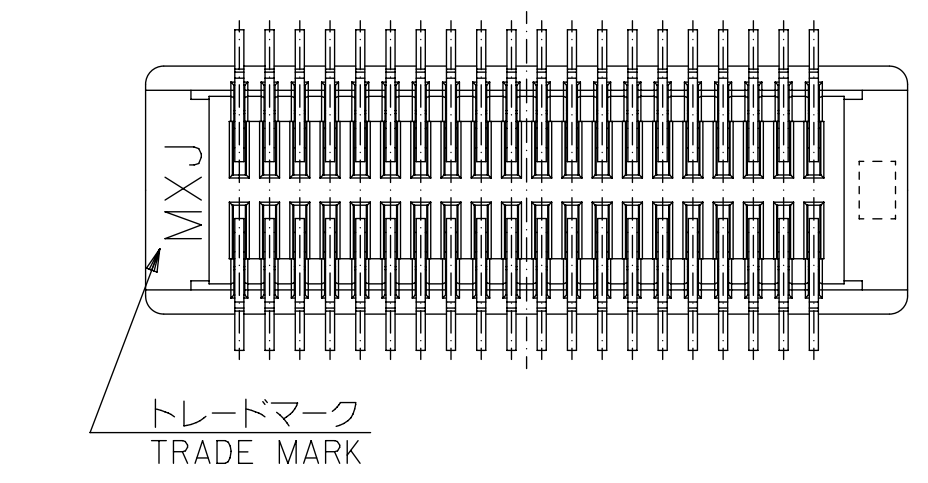
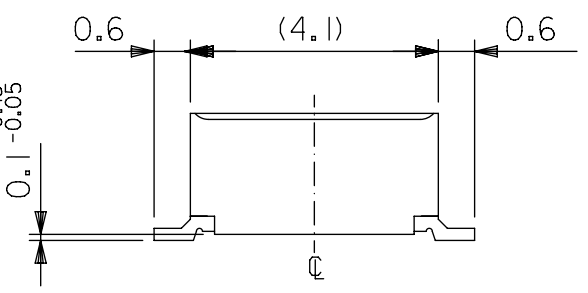
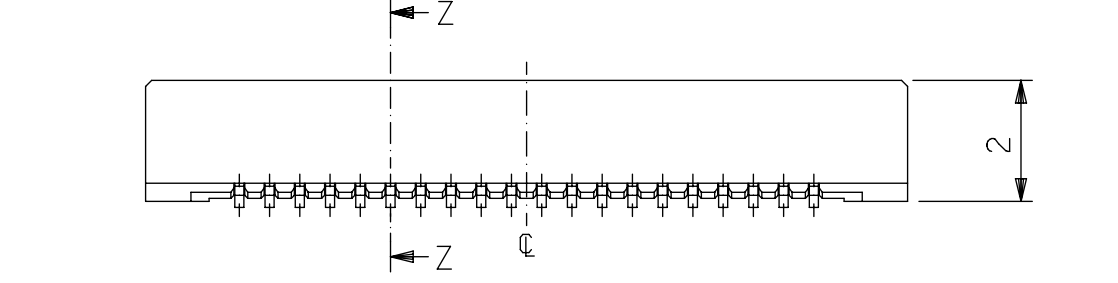
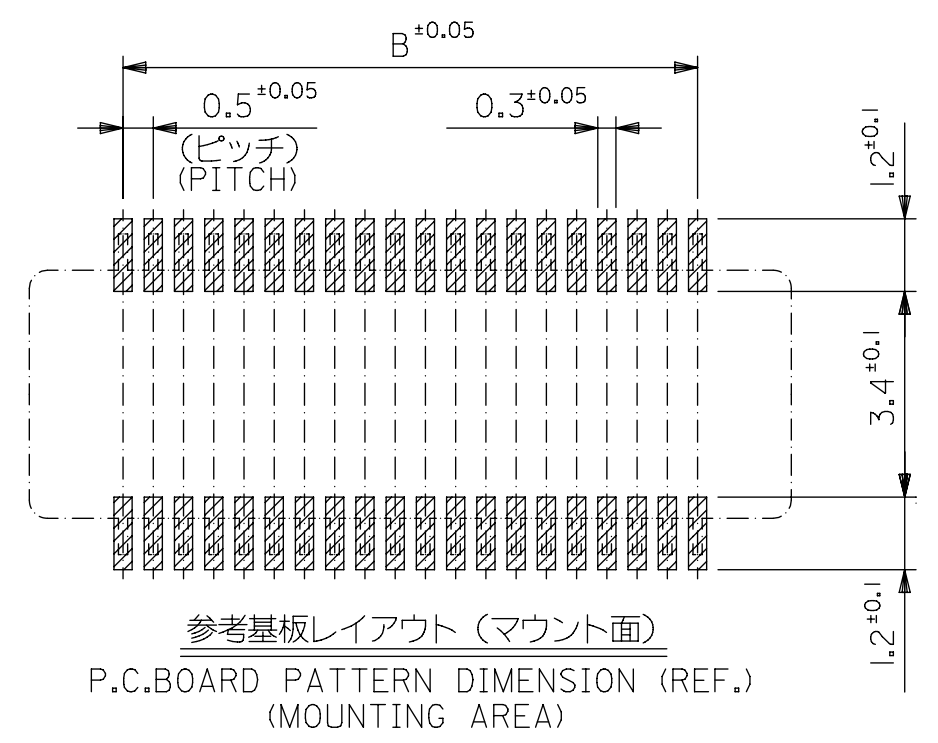
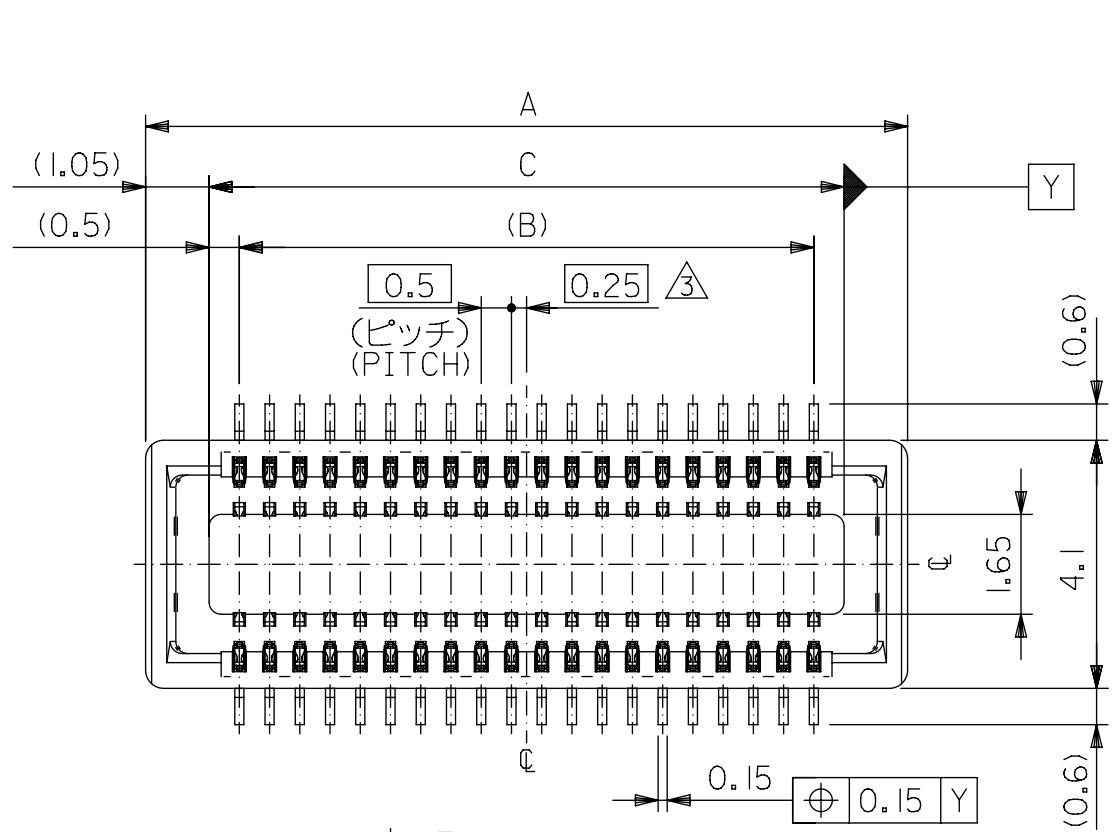


注記 NOTES:

1. 使用材料 MATERIAL
ハウジング：液晶ポリマー (LCP),
ガラス充填, UL94V-0, 色：黒
HOUSING: LIQUID CRYSTAL POLYMER,
GLASS FILLED, UL94V-0, COLOR: BLACK
ターミナル：リン青銅 (t=0.15)
TERMINAL: PHOSPHOR BRONZE (t=0.15)
2. メッキ仕様 PLATING
金メッキ0.25マイクロメートル以上 (コンタクト部)
GOLD (Au) 0.25 MICROMETER MINIMUM
(CONTACT AREA)
金メッキ (テール部)
GOLD PLATING (SOLDER TAIL AREA)
下地メッキ：ニッケルメッキ 1.5 マイクロメートル以上
UNDER PLATING
: NICKEL 1.5 MICROMETER MINIMUM
* コンタクト部とテール部はニッケルメッキによって
分断されている金メッキです。
DIVIDE INTO PARTS THE GOLD PLATING OF
THE CONTACT PART AND THE TAIL PART BY
THE NICKEL PLATING.
△3 (全極数/2) = 偶数の場合に適用。
APPLY FOR (CIRCUIT/2)=EVEN.
4. 嵌合相手：53885 / 500334 シリーズ (嵌合高さ = 2.5mm)
MATE WITH : 53885 / 500334 SERIES. (HEIGHT = 2.5mm)
5. テール平坦度は 0.1MAX.
TAIL COPLANARITY TO BE 0.1 MAXIMUM.
6. ELV及びRoHS適合品。
ELV AND RoHS COMPLIANT.

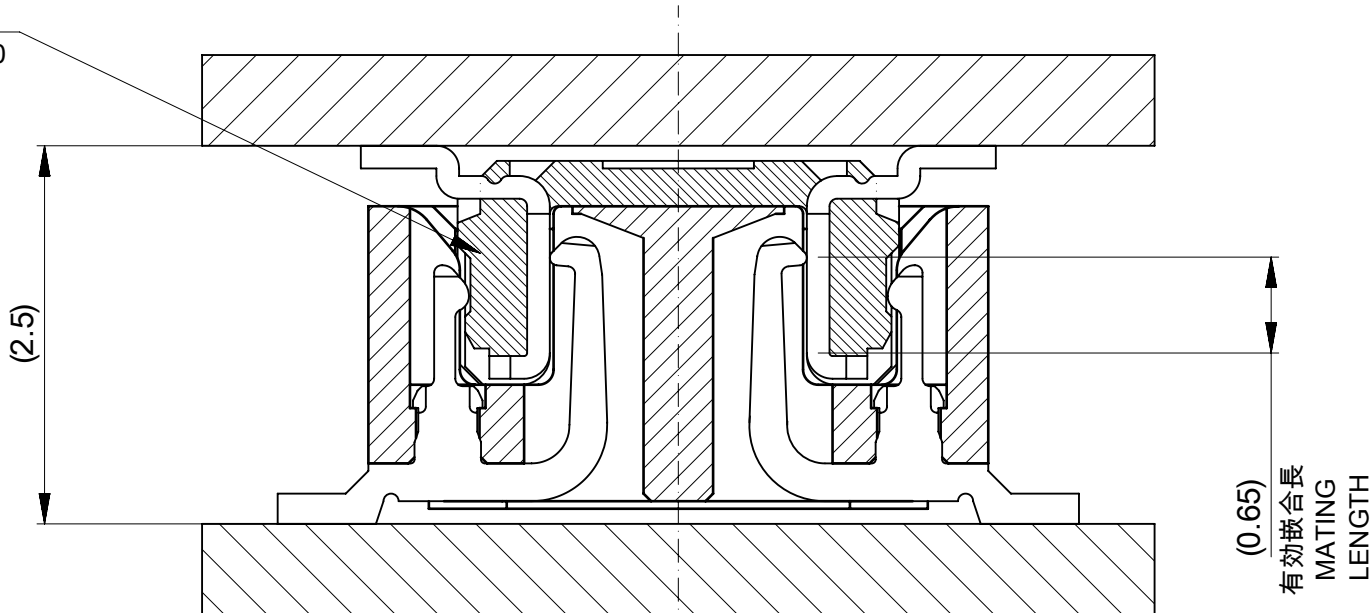


20.5	19.5	22.6	54102-0804	80
18.0	17.0	20.1	54102-0704	70
15.5	14.5	17.6	54102-0604	60
13.0	12.0	15.1	54102-0504	50
10.5	9.5	12.6	54102-0404	40
8.0	7.0	10.1	54102-0304	30
5.5	4.5	7.6	54102-0204	20
4.5	3.5	6.6	54102-0164	16
C	B	A	EMBOSSED PACKAGE オーダー番号 ORDER No.	極数 CIRCUIT

CONNECTOR SERIES No. 54102-***3

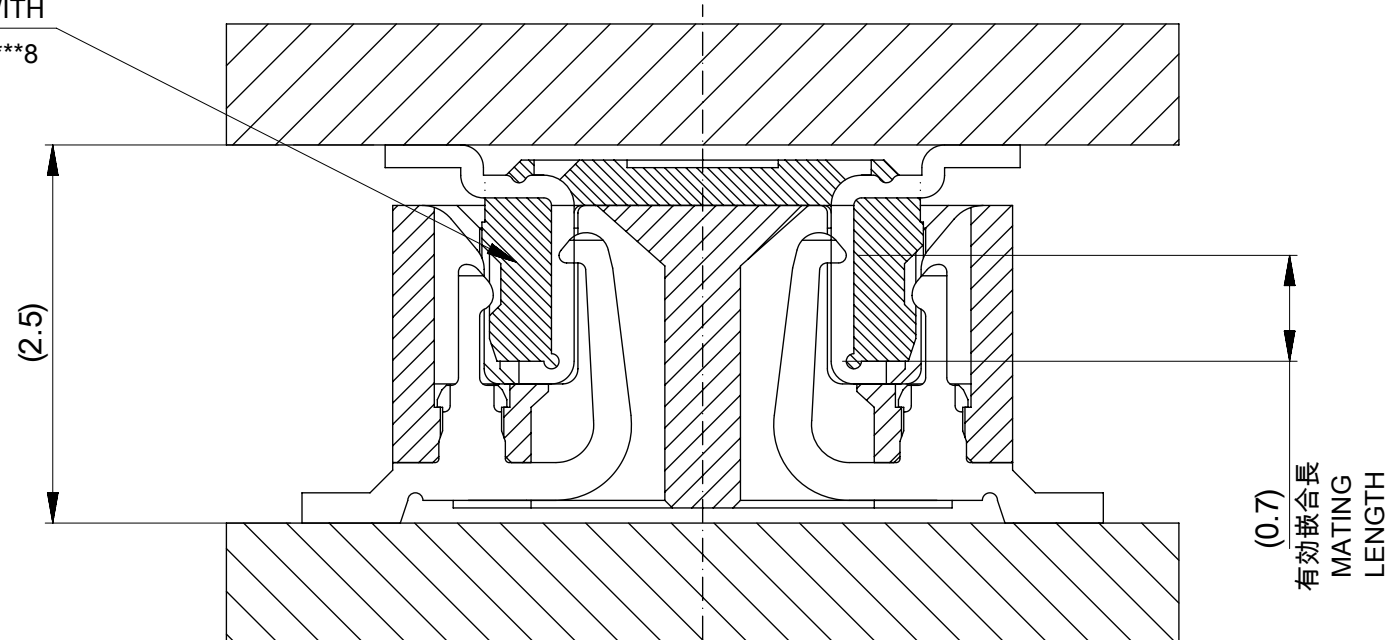
THIS DRAWING CONTAINS INFORMATION THAT IS PROPRIETARY TO MOLEX ELECTRONIC TECHNOLOGIES, LLC AND SHOULD NOT BE USED WITHOUT WRITTEN PERMISSION		CURRENT REV DESC: REVISED		molex	
DIMENSION UNITS	SCALE	EC NO: 642297			
mm	8:1	DRWN: BJAYARAM 2020/09/07		0.5 MM PITCH B-TO-B CONN. HEIGHT = 2.5 RECEPTACLE	
GENERAL TOLERANCES (UNLESS SPECIFIED)		CHK'D: HSHIMOYAMA 2020/11/30		PRODUCT CUSTOMER DRAWING	
10 ^{UNDER}	±0.2	APPR: SHOSHIKAWA 2020/11/30		DOCUMENT NUMBER	
10 ^{OVER} 30 ^{UNDER}	±0.25	INITIAL REVISION:		SD-54102-006	
30 ^{OVER}	±0.3	DRWN: YSAKIYAMA 2004/05/07		DOC TYPE DOC PART REVISION	
ANGULAR ±3°		APPR: MSASAO 2004/05/12		PSD 001 D	
DRAFT WHERE APPLICABLE MUST REMAIN WITHIN DIMENSIONS		THIRD ANGLE PROJECTION		MATERIAL NUMBER	
		DRAWING		CUSTOMER	
		A3-SIZE		GENERAL	
		SERIES		SHEET NUMBER	
		54102		1 OF 2	

嵌合相手
MATE WITH
500334-***0



嵌合断面図 (参考)
MATED DRAWING (REF.)

嵌合相手
MATE WITH
53885-***8

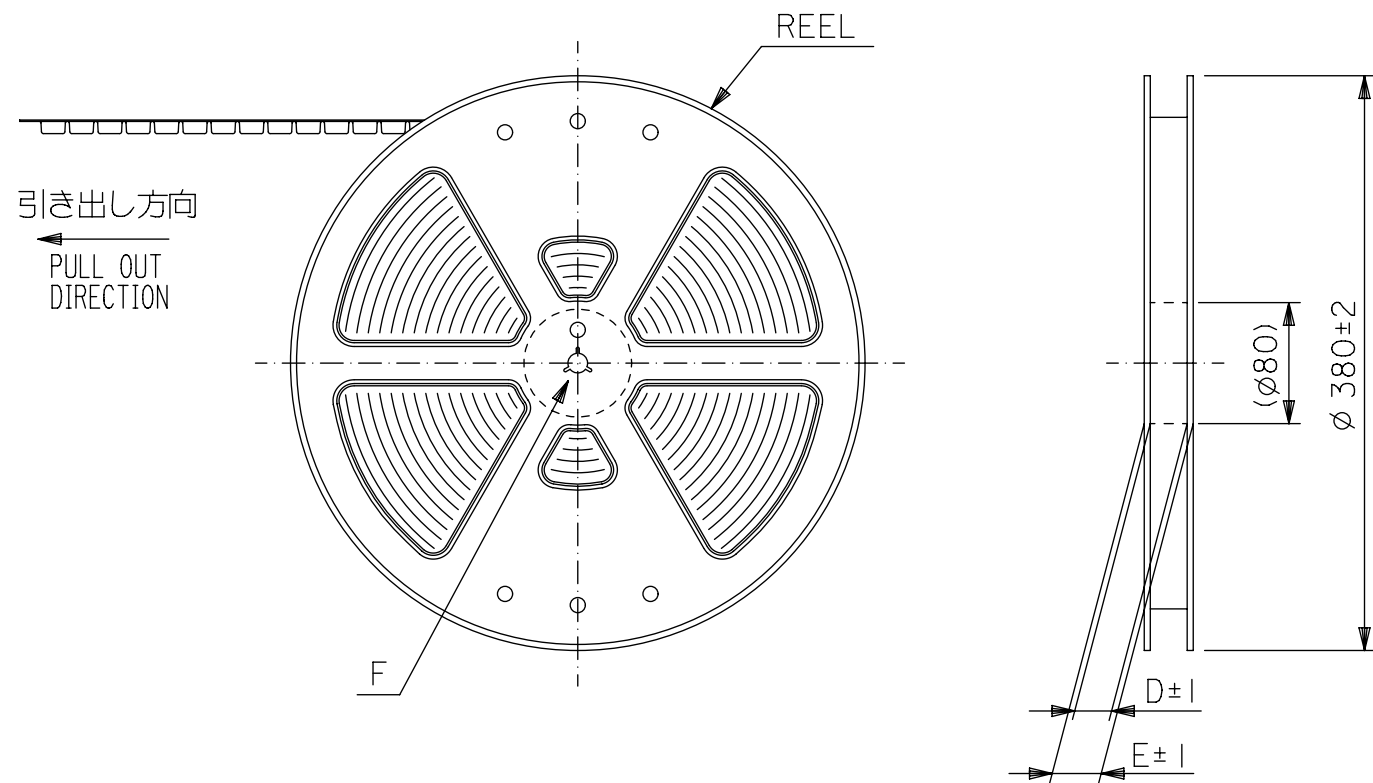


嵌合断面図 (参考)
MATED DRAWING (REF.)

THIS DRAWING CONTAINS INFORMATION THAT IS PROPRIETARY TO MOLEX ELECTRONIC TECHNOLOGIES, LLC AND SHOULD NOT BE USED WITHOUT WRITTEN PERMISSION

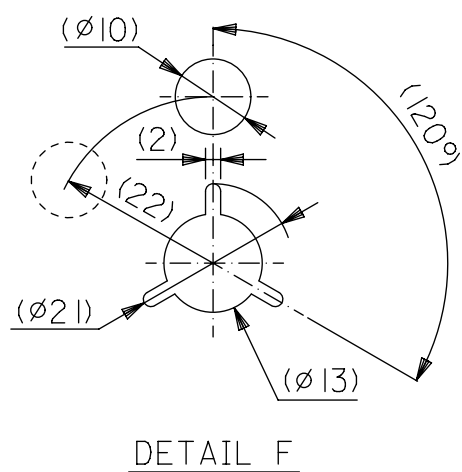
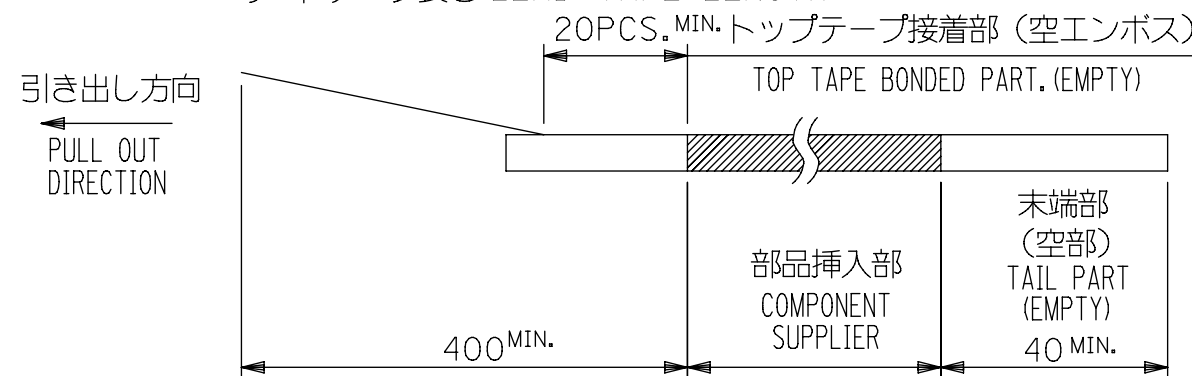
DIMENSION UNITS	SCALE	CURRENT REV DESC: REVISED		
mm	20:1	molex 0.5 MM PITCH B-TO-B CONN. HEIGHT = 2.5 RECEPTACLE		
GENERAL TOLERANCES (UNLESS SPECIFIED)				
ANGULAR TOL ± 30°		EC NO: 642297	2020/09/07	DOCUMENT NUMBER
4 PLACES ± 0.2		DRWN: BJAYARAM	2020/11/30	
3 PLACES ± 0.25		CHK'D: HSHIMUYAMA	2020/11/30	DOC PART
2 PLACES ± 0.3		APPR: SHOSHIKAWA	2020/11/30	REVISION
1 PLACE ±		INITIAL REVISION:	2004/05/07	SD-54102-006
0 PLACES ±		DRWN: YSAKIYAMA	2004/05/12	
DRAFT WHERE APPLICABLE MUST REMAIN WITHIN DIMENSIONS		THIRD ANGLE PROJECTION	DRAWING	SERIES
			A3-SIZE	54102
		MATERIAL NUMBER	CUSTOMER	SHEET NUMBER
		SEE SHEET 1	GENERAL	2 OF 2

GENERAL TOLERANCES (UNLESS SPECIFIED)	
10 ^{UNDER}	±0.2
10 ^{OVER} 30 ^{UNDER}	±0.25
30 ^{OVER}	±0.3
ANGULAR ±3°	
DRAFT WHERE APPLICABLE MUST REMAIN WITHIN DIMENSIONS	

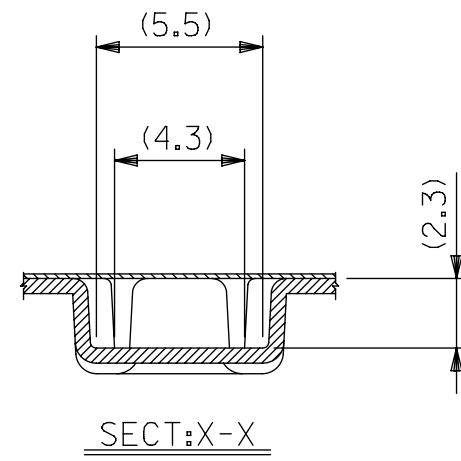
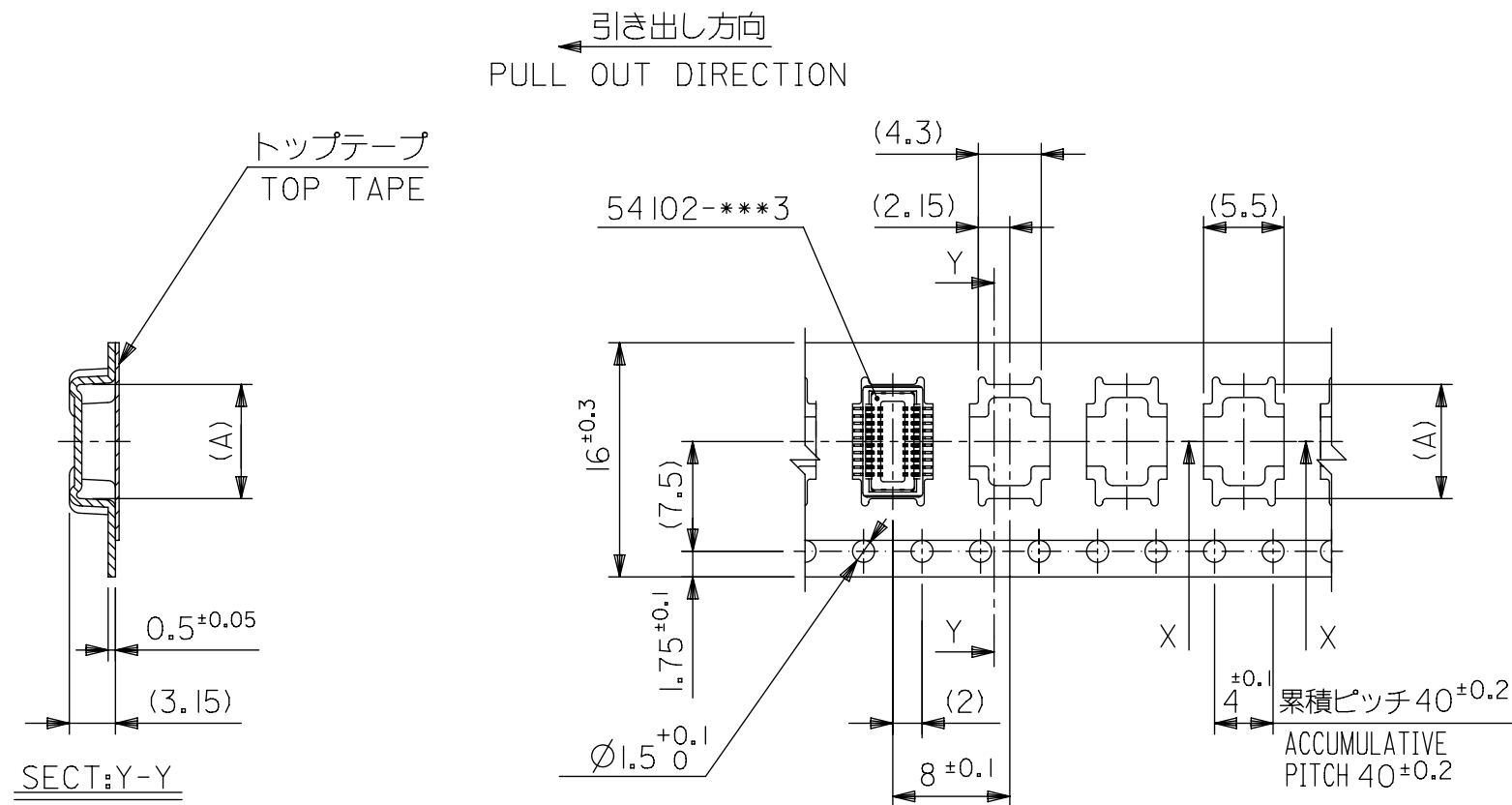


NOTES

- 製品詳細寸法については図面 SD-54102-006 を参照下さい。
DETAIL DIMENSION, SEE SD-54102-006
- 梱包数量：3000個/リール
NUMBER OF CONNECTORS : 3000PCS/REEL
- リードテープ長さ LEAD TAPE LENGTH
20PCS. MIN. トップテープ接着部 (空エンボス)
TOP TAPE BONDED PART. (EMPTY)
部品挿入部
COMPONENT SUPPLIER
末端部 (空部)
TAIL PART (EMPTY)
40 MIN.
- カバーテープの剥離強度については、IEC 60286-3に準拠
COVER TAPE PEEL FORCE IS DEFINED BY IEC60286-3.
- 材料 (MATERIAL)
キャリアテープ (CARRIER TAPE) : ポリプロピレン (POLYPROPYLENE)
トップテープ (TOPTAPE) : PET, PE, PEF
リール (REEL) : ポлистиレン (PS) <リサイクル材を含む>
POLYSTYRENE (PS) <RECYCLE MATERIAL CONTAINED>



THIS DRAWING CONTAINS INFORMATION THAT IS PROPRIETARY TO MOLEX ELECTRONIC TECHNOLOGIES, LLC AND SHOULD NOT BE USED WITHOUT WRITTEN PERMISSION		CURRENT REV DESC: REVISED		molex	
DIMENSION UNITS: mm		SCALE: NTS			
GENERAL TOLERANCES (UNLESS SPECIFIED)		GENERAL TOLERANCES (UNLESS SPECIFIED)		EC NO: 642297	
ANGULAR TOL ± 30°		ANGULAR TOL ± 30°		DRWN: BJAYARAM 2020/09/09	
4 PLACES ± 0.2		4 PLACES ± 0.2		CHK'D: HSHIMUYAMA 2020/11/30	
3 PLACES ± 0.25		3 PLACES ± 0.25		APPR: SHOSHIKAWA 2020/11/30	
2 PLACES ± 0.3		2 PLACES ± 0.3		INITIAL REVISION:	
1 PLACE ±		1 PLACE ±		DRWN: YSAKIYAMA 2004/05/07	
0 PLACES ±		0 PLACES ±		APPR: MSASAO 2004/05/12	
DRAFT WHERE APPLICABLE MUST REMAIN WITHIN DIMENSIONS		DRAFT WHERE APPLICABLE MUST REMAIN WITHIN DIMENSIONS		THIRD ANGLE PROJECTION	
DRAWING: A3-SIZE		SERIES: 54102		DOCUMENT NUMBER: SD-54102-007	
MATERIAL NUMBER: SEE SHEET 2-4		CUSTOMER: GENERAL		DOC TYPE: PSD	
SHEET NUMBER: 1 OF 4		REVISION: C		DOC PART: 001	



16mm幅キャリアテープ
16mm WIDTH CARRIER TAPE

16	21.4	17.4	7.8	54102-0204	20
			6.8	54102-0164	16
キャリアテープ幅 CARRIER TAPE WIDTH			E	D	(A)
			EMBOSSED TAPE PACKAGE		極数
			オーダー番号 ORDER No.		CIRCUITS

THIS DRAWING CONTAINS INFORMATION THAT IS PROPRIETARY TO MOLEX ELECTRONIC TECHNOLOGIES, LLC AND SHOULD NOT BE USED WITHOUT WRITTEN PERMISSION

CURRENT REV DESC: REVISED

molex

0.5 MM PITCH B-TO-B CONN.
HEIGHT = 2.5 RECEPTACLE EMBOSS TAPE PACKAGE

PRODUCT CUSTOMER DRAWING

EC NO: 642297
DRWN: BJAYARAM 2020/09/09
CHK'D: HSHIMUYAMA 2020/11/30
APPR: SHOSHIKAWA 2020/11/30

INITIAL REVISION:
DRWN: YSAKIYAMA 2004/05/07
APPR: MSASAO 2004/05/12

DOCUMENT NUMBER	DOC TYPE	DOC PART	REVISION
SD-54102-007	PSD	001	C

DIMENSION UNITS	SCALE	MATERIAL NUMBER	CUSTOMER	SHEET NUMBER
mm	NTS	SEE TABLE	GENERAL	2 OF 4

THIRD ANGLE PROJECTION

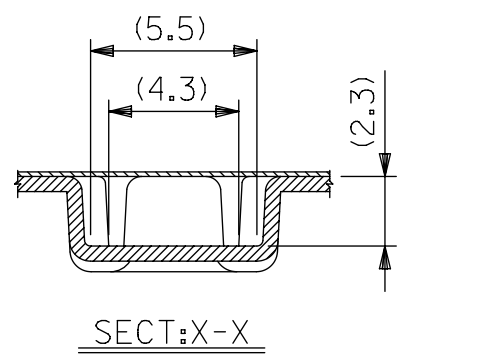
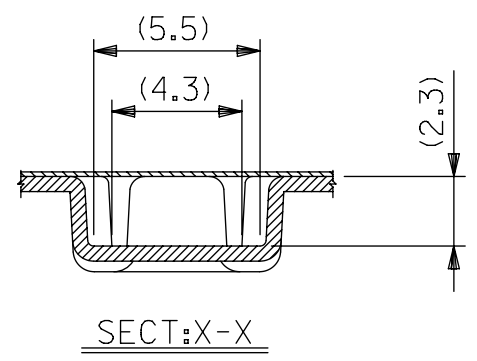
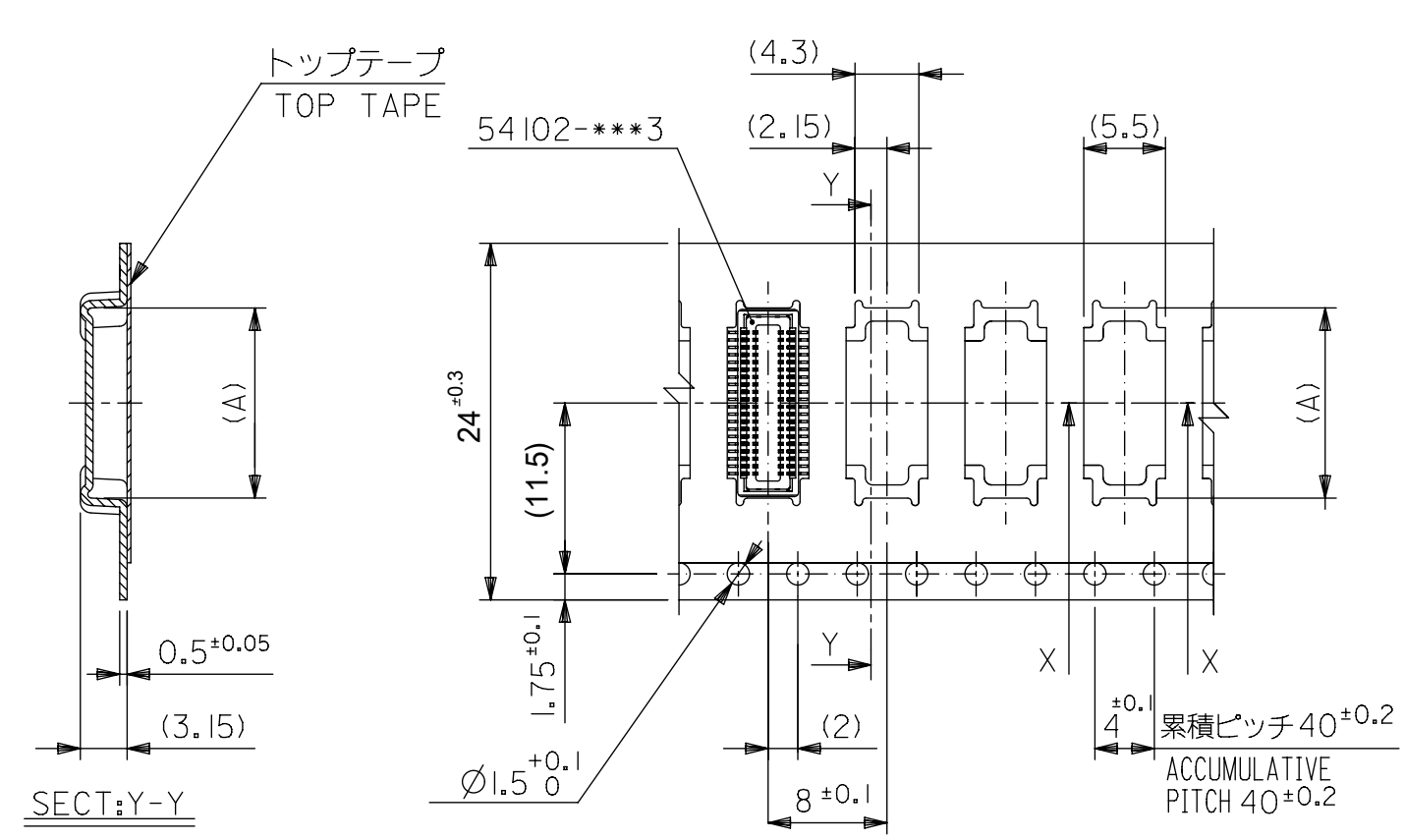
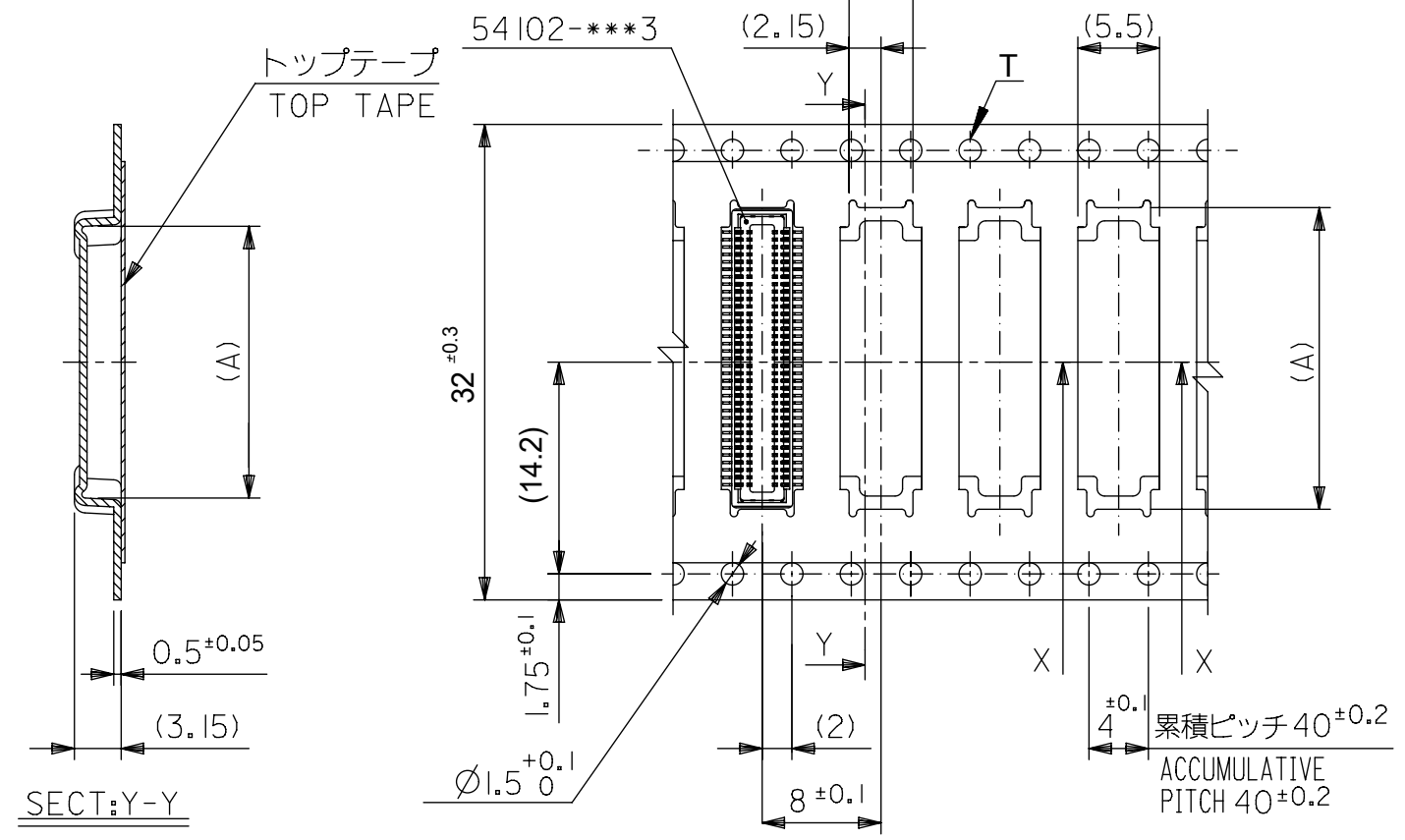
DRAWING A3-SIZE

SERIES 54102

GENERAL TOLERANCES (UNLESS SPECIFIED)	
10 ^{UNDER}	±0.2
10 ^{OVER} 30 ^{UNDER}	±0.25
30 ^{OVER}	±0.3
ANGULAR ±3°	
DRAFT WHERE APPLICABLE MUST REMAIN WITHIN DIMENSIONS	

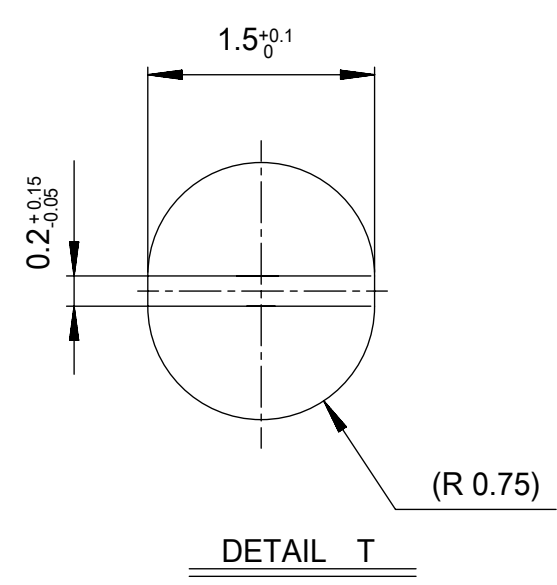
引き出し方向
PULL OUT DIRECTION

引き出し方向
PULL OUT DIRECTION



32mm幅キャリアテープ
32mm WIDTH CARRIER TAPE

24mm幅キャリアテープ
24mm WIDTH CARRIER TAPE



32	37.4	33.4	20.3	54102-0704	70
			17.8	54102-0604	60
24	29.4	25.4	15.3	54102-0504	50
			12.8	54102-0404	40
			10.3	54102-0304	30
キャリアテープ幅 CARRIER TAPE WIDTH		E	D	(A)	EMBOSSED TAPE PACKAGE 極数 CIRCUITS
				オーダー番号 ORDER No.	

THIS DRAWING CONTAINS INFORMATION THAT IS PROPRIETARY TO MOLEX ELECTRONIC TECHNOLOGIES, LLC AND SHOULD NOT BE USED WITHOUT WRITTEN PERMISSION

CURRENT REV DESC: REVISED

molex

0.5 MM PITCH B-TO-B CONN.
HEIGHT = 2.5 RECEPTACLE EMBOSS TAPE PACKAGE

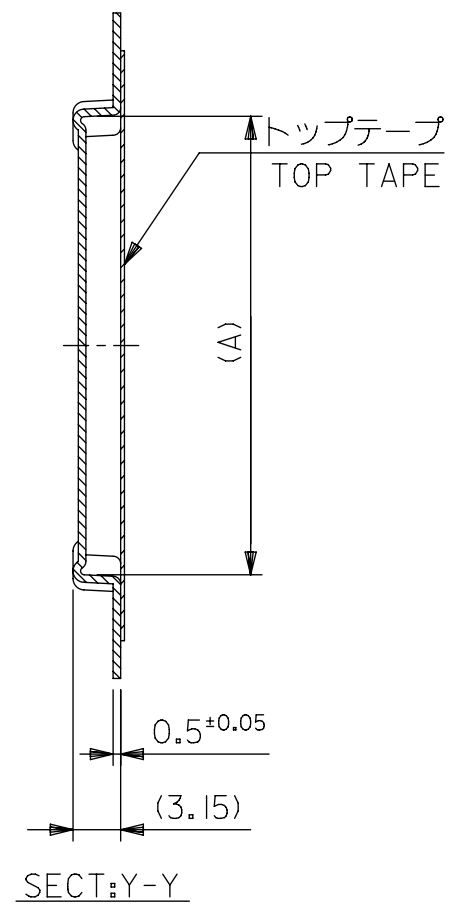
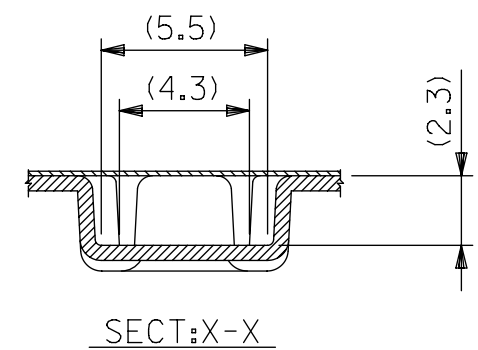
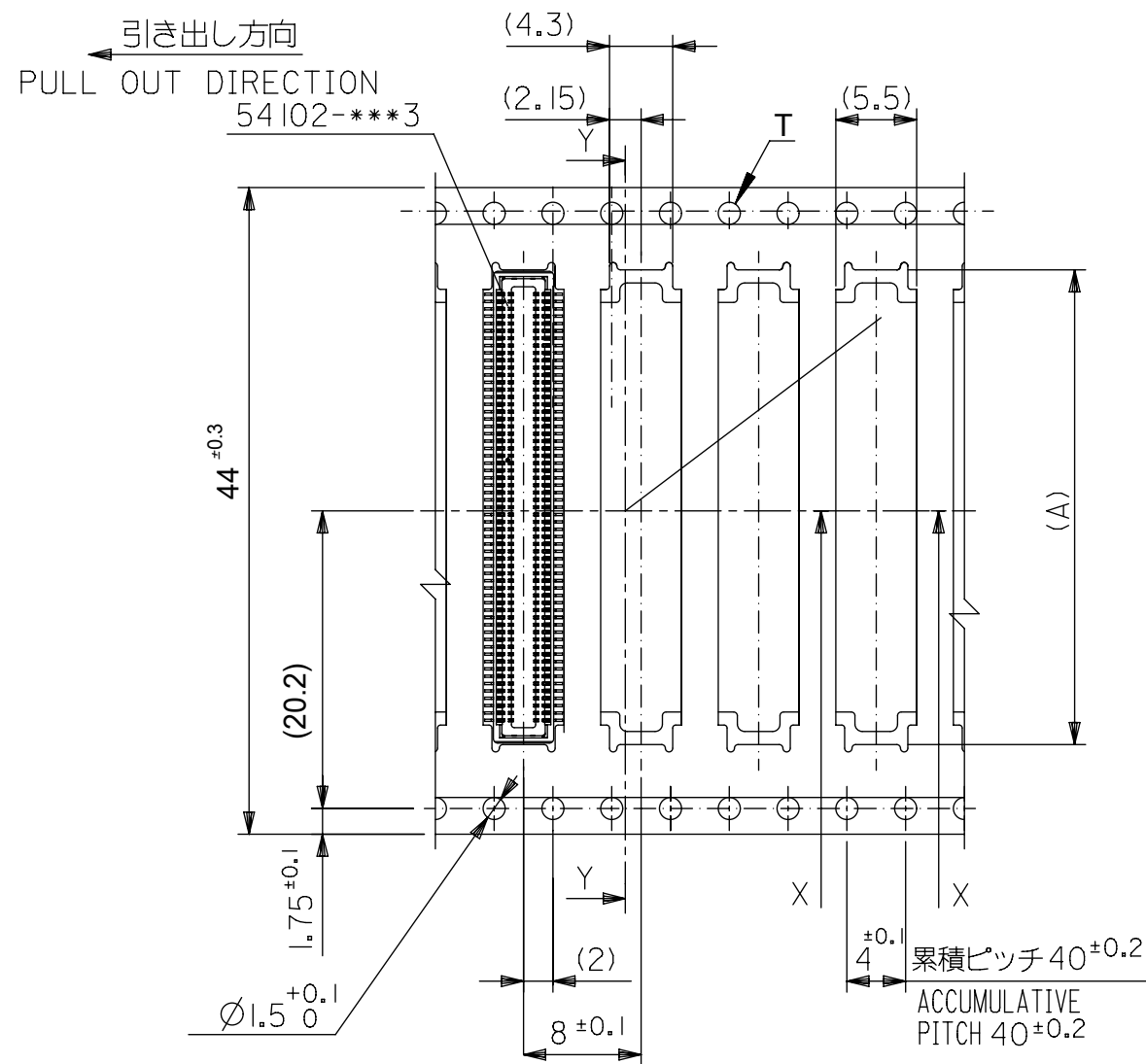
PRODUCT CUSTOMER DRAWING

DOCUMENT NUMBER: SD-54102-007
DOC TYPE: PSD
DOC PART: 001
REVISION: C

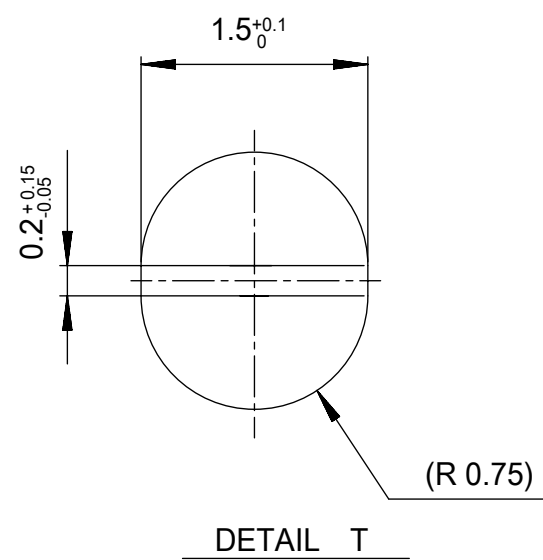
EC NO: 642297
DRWN: BJAYARAM
CHK'D: HSHIMOMYAMA
APPR: SHOSHIKAWA
2020/09/09
2020/11/30
2020/11/30

INITIAL REVISION:
DRWN: YSAKIYAMA
APPR: MSASAO
2004/05/07
2004/05/12

THIRD ANGLE PROJECTION
DRAWING: A3-SIZE
SERIES: 54102
MATERIAL NUMBER: SEE TABLE
CUSTOMER: GENERAL
SHEET NUMBER: 3 OF 4



44mm幅キャリアテープ
44mm WIDTH CARRIER TAPE



44	49.4	45.4	22.8	54102-0804	80
キャリアテープ幅 CARRIER TAPE WIDTH			E	D	(A)
				EMBOSSED TAPE PACKAGE	極数 CIRCUITS
				オーダー番号 ORDER No.	

THIS DRAWING CONTAINS INFORMATION THAT IS PROPRIETARY TO MOLEX ELECTRONIC TECHNOLOGIES, LLC AND SHOULD NOT BE USED WITHOUT WRITTEN PERMISSION		CURRENT REV DESC: REVISED		molex	
DIMENSION UNITS	SCALE				
mm	NTS			0.5 MM PITCH B-TO-B CONN. HEIGHT = 2.5 RECEPTACLE EMBOSS TAPE PACKAGE	
GENERAL TOLERANCES (UNLESS SPECIFIED)		ANGULAR TOL ± 30°		PRODUCT CUSTOMER DRAWING	
10 ^{UNDER}	±0.2	4 PLACES	± 0.2	DOCUMENT NUMBER	
10 ^{OVER} 30 ^{UNDER}	±0.25	3 PLACES	± 0.25	SD-54102-007	
30 ^{OVER}	±0.3	2 PLACES	± 0.3	DOC TYPE	DOC PART
ANGULAR ±3°		1 PLACE	±	PSD	001
DRAFT WHERE APPLICABLE MUST REMAIN WITHIN DIMENSIONS		0 PLACES	±	REVISION	C
		THIRD ANGLE PROJECTION		MATERIAL NUMBER	CUSTOMER
		DRAWING		SEE TABLE	GENERAL
		SERIES		SHEET NUMBER	
		A3-SIZE		4 OF 4	
		54102			

GENERAL TOLERANCES (UNLESS SPECIFIED)	
10 ^{UNDER}	±0.2
10 ^{OVER} 30 ^{UNDER}	±0.25
30 ^{OVER}	±0.3
ANGULAR ±3°	
DRAFT WHERE APPLICABLE MUST REMAIN WITHIN DIMENSIONS	

EC NO: 642297
 DRWN: BJAYARAM
 CHK'D: HSHIMUYAMA
 APPR: SHOSHIKAWA
 2020/09/09
 2020/11/30
 2020/11/30

INITIAL REVISION:
 DRWN: YSAKIYAMA
 APPR: MSASAO
 2004/05/07
 2004/05/12