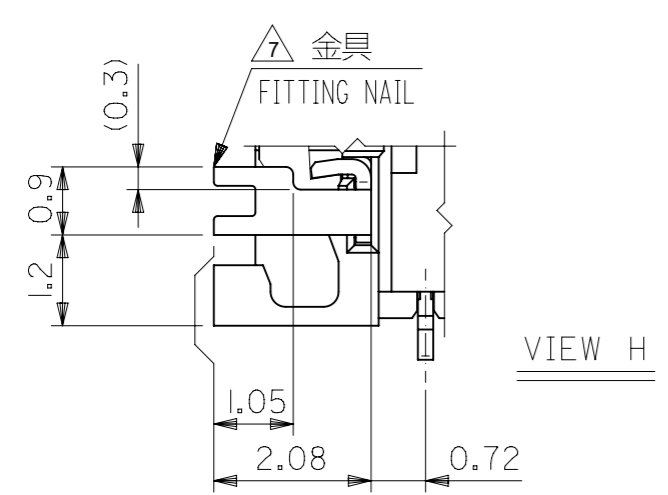
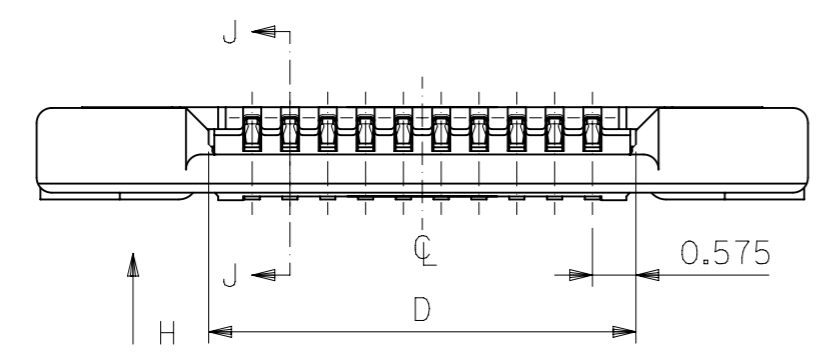


SECT. J-J
SCALE 20:1



0.3 ±0.03	12.65	16	11.5	17.2	54550-2433	24
	10.65	14	9.5	15.2	54550-2033	20
	9.65	13	8.5	14.2	54550-1833	18
	8.15	11.5	7	12.7	54550-1533	15
	6.65	10	5.5	11.2	54550-1233	12
	5.65	9	4.5	10.2	54550-1033	10
	5.15	8.5	4	9.7	54550-0933	9
	4.65	8	3.5	9.2	54550-0833	8
	3.65	7	2.5	8.2	54550-0633	6
3.15	6.5	2	7.7	54550-0533	5	
THICKNESS OF FPC	D	C	B	A	EMBOSSED TAPE	極数
					ORDER No. オーダー番号	CK+

CONNECTOR SERIES NO. : 54550-**22

THIS DRAWING CONTAINS INFORMATION THAT IS PROPRIETARY TO MOLEX ELECTRONIC TECHNOLOGIES, LLC AND SHOULD NOT BE USED WITHOUT WRITTEN PERMISSION

SCALE: mm NTS

GENERAL TOLERANCES (UNLESS SPECIFIED)

PLACES	MM	INCH
4 PLACES	±	±
3 PLACES	±	±
2 PLACES	±	±
1 PLACE	±	±
0 PLACES	±	±

ANGULAR TOL ± 3.0°

DRAFT WHERE APPLICABLE MUST REMAIN WITHIN DIMENSIONS

THIRD ANGLE PROJECTION

DRAWING: A3-SIZE

SERIES: 54550

MATERIAL NUMBER: SEE TABLE

CUSTOMER: GENERAL MARKET

SHEET NUMBER: 1 OF 2

EC NO: 636343
DRWN: AKUMAR19 2020/04/20
CHK'D: GGA 2020/07/10
APPR: GGA 2020/07/10

INITIAL REVISION:
DRWN: NKONDO 2012/09/13
APPR: KMORIKAWA 2013/03/15

DOCUMENT NUMBER: SD-54550-075
DOC TYPE: PSD
DOC PART: 001
REVISION: B

PRODUCT CUSTOMER DRAWING

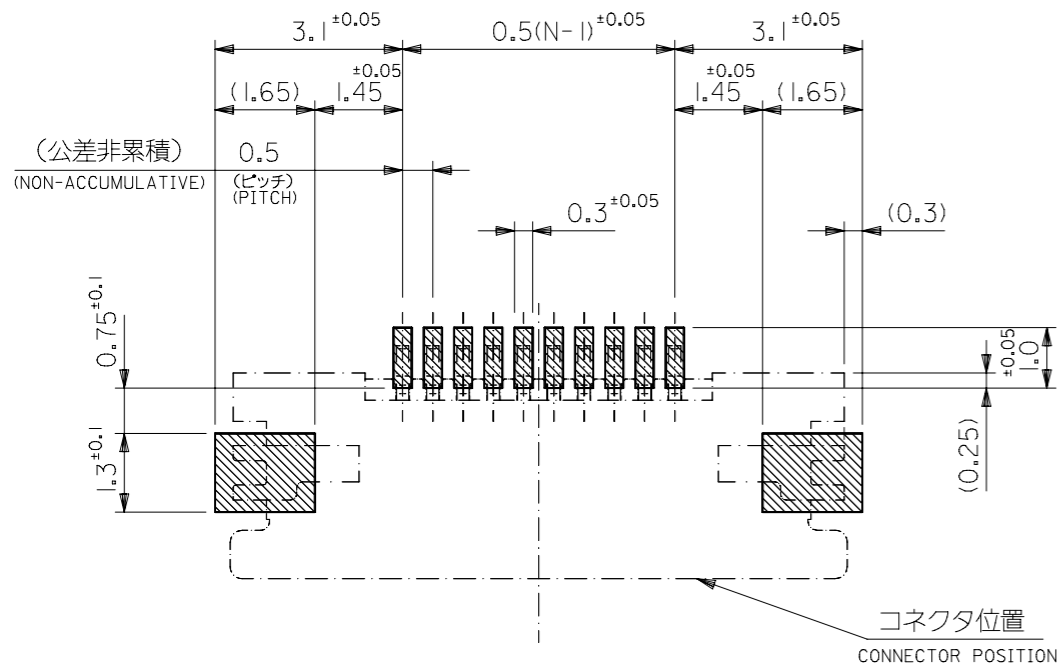
CURRENT REV DESC: OBSOLETE PART NUMBER

molex

0.5MM FPC CONN ZIF R/A HOUSING ASSY (UPPER CONTACT)

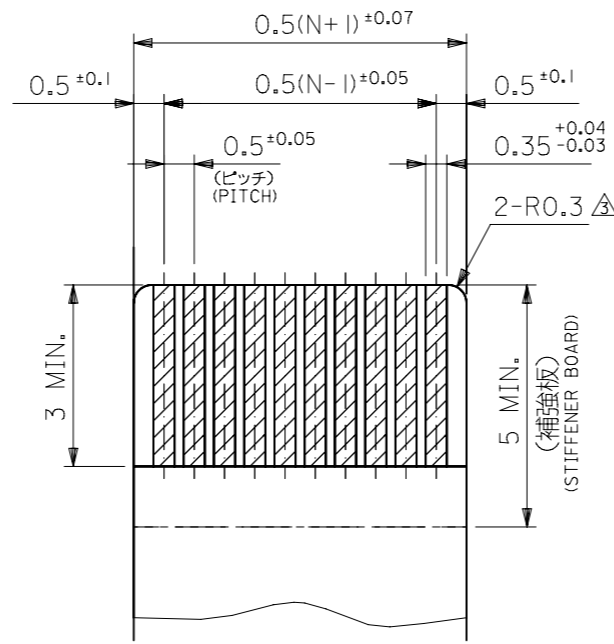
GENERAL TOLERANCES (UNLESS SPECIFIED)

10 ^{UNDER}	±0.2
10 ^{OVER} 30 ^{UNDER}	±0.25
30 ^{OVER}	±0.3

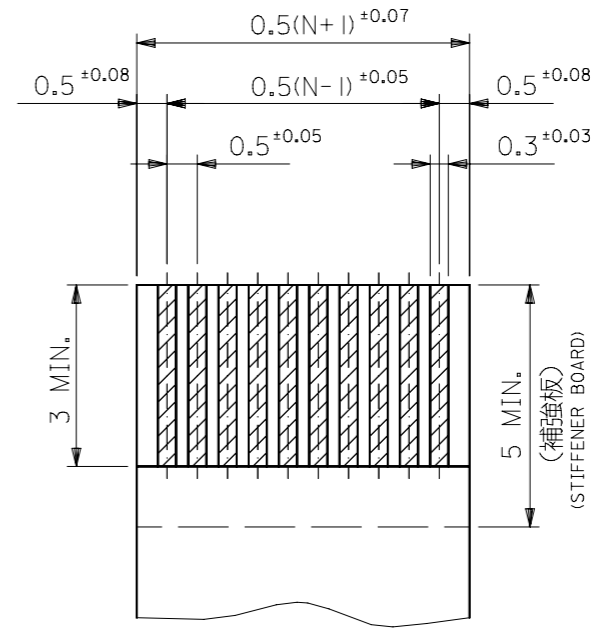


推奨基板レイアウト
RECOMMENDED FPC BOARD
PATTERN DIMENSION
(マウント面)
(MOUNTING SIDE)

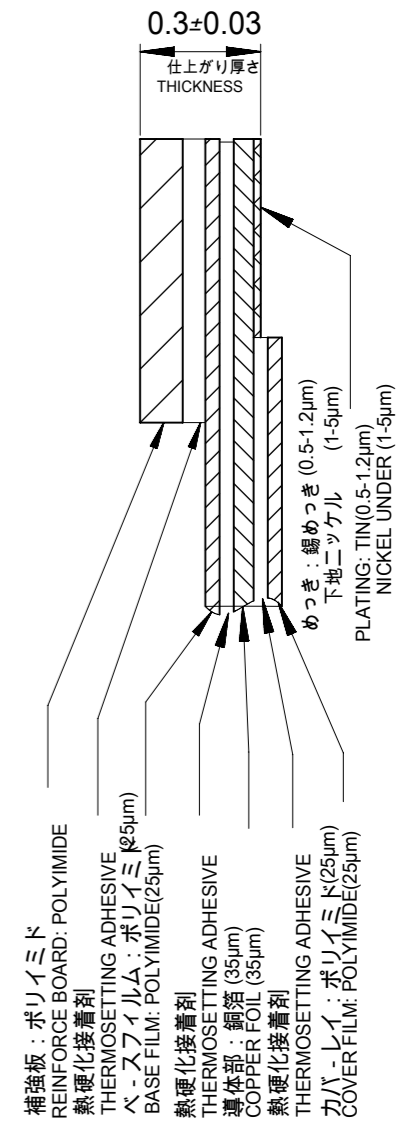
マスク厚 : 100µm
マスク開口率 : 100%
SCREEN THICKNESS : 100µm
SCREEN OPEN RATIO : 100%



適合FPC推奨寸法
APPLICABLE FPC
RECOMMENDED DIMENSION
(仕上がり厚さ:表参照)
(THICKNESS:SEE CHART)



適合FFC推奨寸法
APPLICABLE FFC
RECOMMENDED DIMENSION
(仕上がり厚さ:表参照)
(THICKNESS:SEE CHART)



FPC構成推奨仕様
STRUCTURE OF FPC

注記 NOTES

1. 使用材料 MATERIAL

- ハウジング : 液晶がマ- (LCP)、ナチュラル(白色)、ガラス充填、UL94V-0
- HOUSING LIQUID QLYSTAL POLYMER, NATURAL(WHITE), GLASS FILLED, UL-94V0
- アクチュエータ : ポリフェニレンサルファイド(PPS)、ナチュラル(茶色)ガラス充填、UL94V-0
- ACTUATOR POLYPHENYRENE SULFIDE, NATURAL(BROWN), GLASS FILLED, UL-94V0
- ターミナル : リン青銅 (t=0.2)
- TERMINAL PHOSPHOR BRONZE (t=0.2)
- 金具 : リン青銅 (t=0.2)、FITTING NAIL PHOSPHOR BRONZE (t=0.2)

△ソルダーテール半田付け面のズレ量、及び金具半田付け面のズレ量は、基準面 Z に対し上方向 0 MAX.、下方向 0.15 MAX.とし、相互のバラツキ量は 0.1 MAX.とする。
MISALIGNMENT OF SOLDER TAILS AND FITTING NAILS FROM UPPER DIRECTION: 0 MAX., LOWER DIRECTION: 0.15 MAX. OFFSET BETWEEN UPPER AND LOWER 0.1 MAX.

△偶数極に適用。
APPLY FOR EVEN CIRCUIT.
△パターンはくり止め用金具
FITTING NAIL FOR PREVENTION OF PEELING OF P.C.B. PATTERN.

8. ELV及びRoHS適合品
ELV AND RoHS COMPLIANT

- めっき仕様 PLATING
- ターミナル TERMINAL
- 錫銀ビスマスマッキ(1.0µm以上)
- 下地:ニッケルメッキ(1.0µm以上)
- TIN SILVER BISMUTH PLATING (1.0 MICROMETER MINIMUM)
- UNDER PLATE : NICKEL PLATING (1.0 MICROMETER MINIMUM)
- 金具 FITTING NAIL
- 錫メッキ(1.0µm以上)
- 下地:ニッケルメッキ(1.0µm以上)
- TIN PLATING
- TIN PLATING (1.0 MICROMETER MINIMUM)
- UNDER PLATE : NICKEL PLATING (1.0 MICROMETER MINIMUM)

△ R0.3はFPCの導体部にかからないこと
R0.3 MUST NOT BE OVERLAPED TO PATTERN OF FPC.

4. エンボステーパ梱包時は、アクチュエータがロックした状態とする。
IN THE PACKAGE, ACTUATOR OF PART NO.54550-**22 SHOULD BE LOCKED.

FPC/FFCについて ABOUT FPC/FFC

打ち抜き方向は導体側から補強板側を推奨します。
導体部については軟箔銅35µmまたは50µmを推奨します。
RECOMMENDED PUNCHING DIRECTION: FROM CONDUCTOR SIDE TO STIFFENER SIDE
RECOMMENDED CONDUCTOR SPEC: SOFT COPPER FOIL
RECOMMENDED CONDUCTOR THICKNESS: 35 MICROMETER OR 50 MICROMETER

FPCについて ABOUT FPC

補強フィルム材質はポリイミドを推奨します。ベースフィルムは25µmを推奨します。
接着剤は熱硬化接着剤を推奨します。
尚、接着剤の接点部への付着は導通不良の原因になりますので、染み出しが無い様、お願い致します。
RECOMMENDED STIFFENER MATERIAL: POLYIMIDE
RECOMMENDED BASE FILM THICKNESS: 25 MICROMETER
RECOMMENDED ADHESIVE: THERMOSETTING ADHESIVE
NOTE: PLEASE PUT APPROPRIATE AMOUNT OF ADHESIVE ON ADHEREND BECAUSE THERE IS A POSSIBILITY THAT THE EXTRA ADHESIVE CAUSES THE DEFECT IN ELECTRICAL CONTINUITY.

GENERAL TOLERANCES (UNLESS SPECIFIED)	
10 UNDER	±0.2
10 OVER 30 UNDER	±0.25
30 OVER	±0.3

THIS DRAWING CONTAINS INFORMATION THAT IS PROPRIETARY TO MOLEX ELECTRONIC TECHNOLOGIES, LLC AND SHOULD NOT BE USED WITHOUT WRITTEN PERMISSION		CURRENT REV DESC: OBSOLETE PART NUMBER	
DIMENSION UNITS: mm	SCALE: NTS	EC NO: 636343	
GENERAL TOLERANCES (UNLESS SPECIFIED)		DRWN: AKUMAR19	2020/04/20
		CHK'D: GGA	2020/07/10
		APPR: GGA	2020/07/10
		INITIAL REVISION:	
		DRWN: NKONDO	2012/09/13
		APPR: KMORIKAWA	2013/03/15
DRAFT WHERE APPLICABLE MUST REMAIN WITHIN DIMENSIONS		THIRD ANGLE PROJECTION	DRAWING: A3-SIZE
		SERIES: 54550	MATERIAL NUMBER: SEE TABLE
		CUSTOMER: GENERAL MARKET	SHEET NUMBER: 2 OF 2

54550-**22 MODEL No.

molex

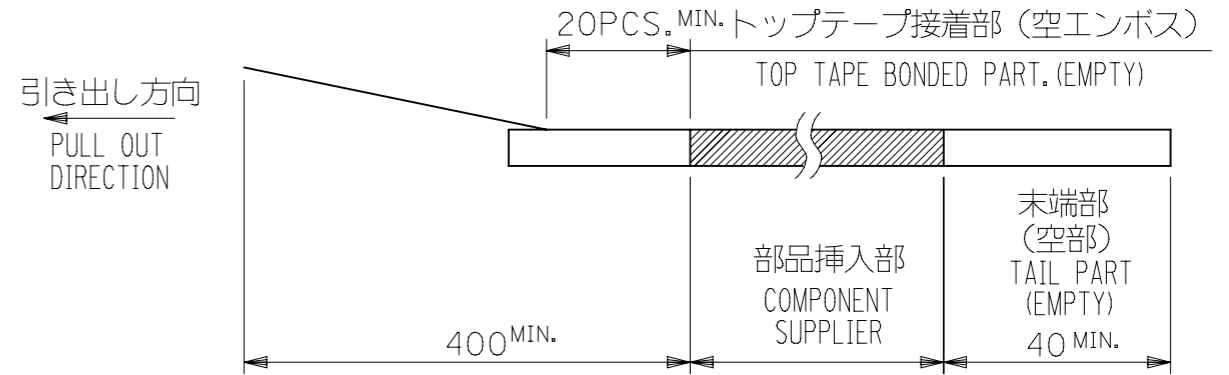
0.5MM FPC CONN ZIF R/A
HOUSING ASSY (UPPER CONTACT)

PRODUCT CUSTOMER DRAWING

DOCUMENT NUMBER: SD-54550-075
DOC TYPE: PSD
DOC PART: 001
REVISION: B

NOTES

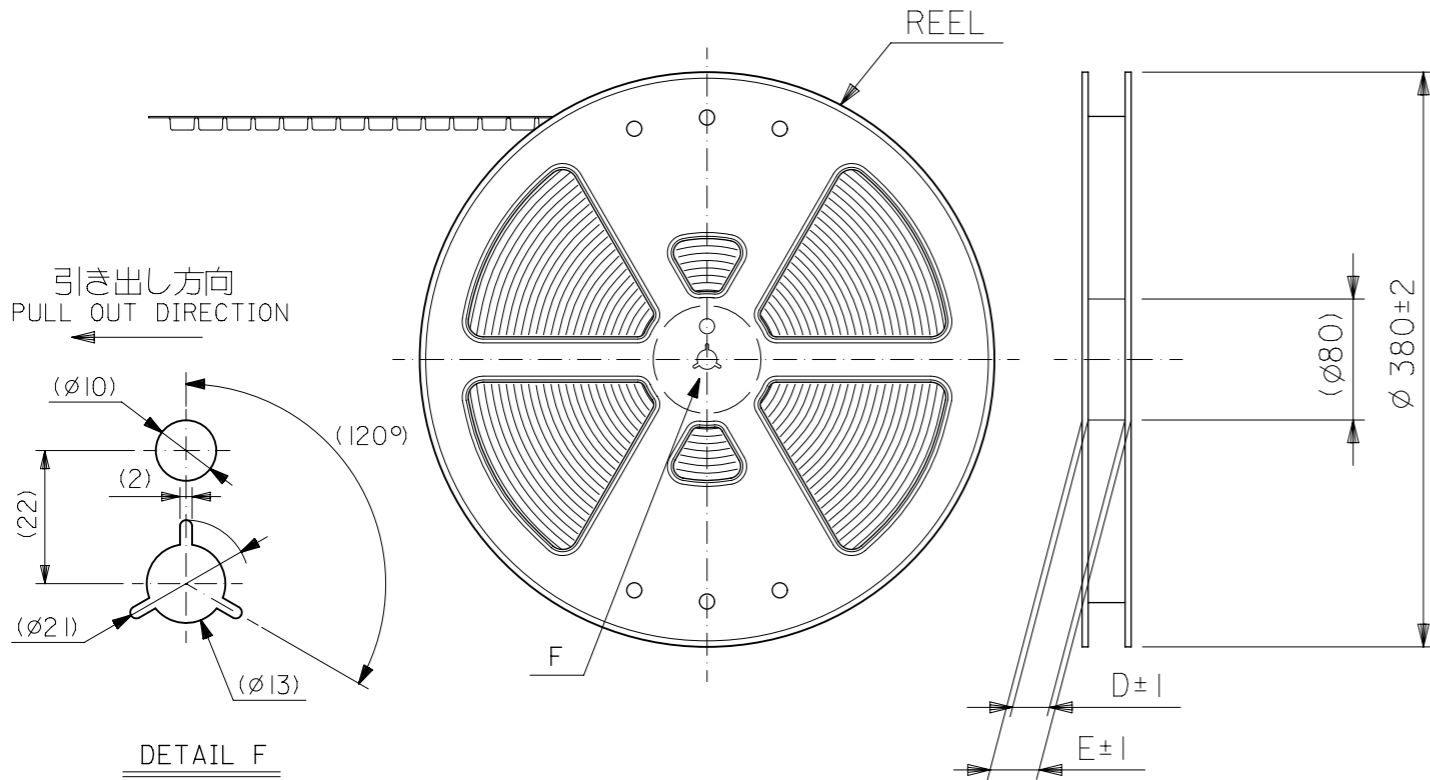
- 製品詳細寸法については図面 54550-***22 を参照下さい。
RE DETAILED DIMENSION, SEE 54550-***22
- 梱包数量：3000個/リール
NUMBER OF CONNECTORS : 3000PCS/REEL
- リードテープ長さ LEAD TAPE LENGTH



4. カバーテープの剥離強度については、IEC60286-3に準拠
Cover tape peel force is defined by IEC60286-3.

5. 材料 (MATERIAL)
 キャリアテープ (CARRIER TAPE) : ポリプロピレン (POLYPROPYLENE)
 トップテープ (TOPTAPE) : PET, PE, PEF
 リール (REEL) : ポリスチレン (P.S) <リサイクル材を含む>
 POLYSTYRENE (PS) <RECYCLE MATERIAL CONTAINED>

6. ELV及びRoHS適合品
ELV AND RoHS COMPLIANT

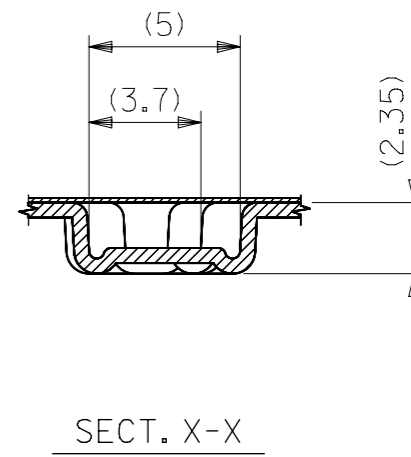
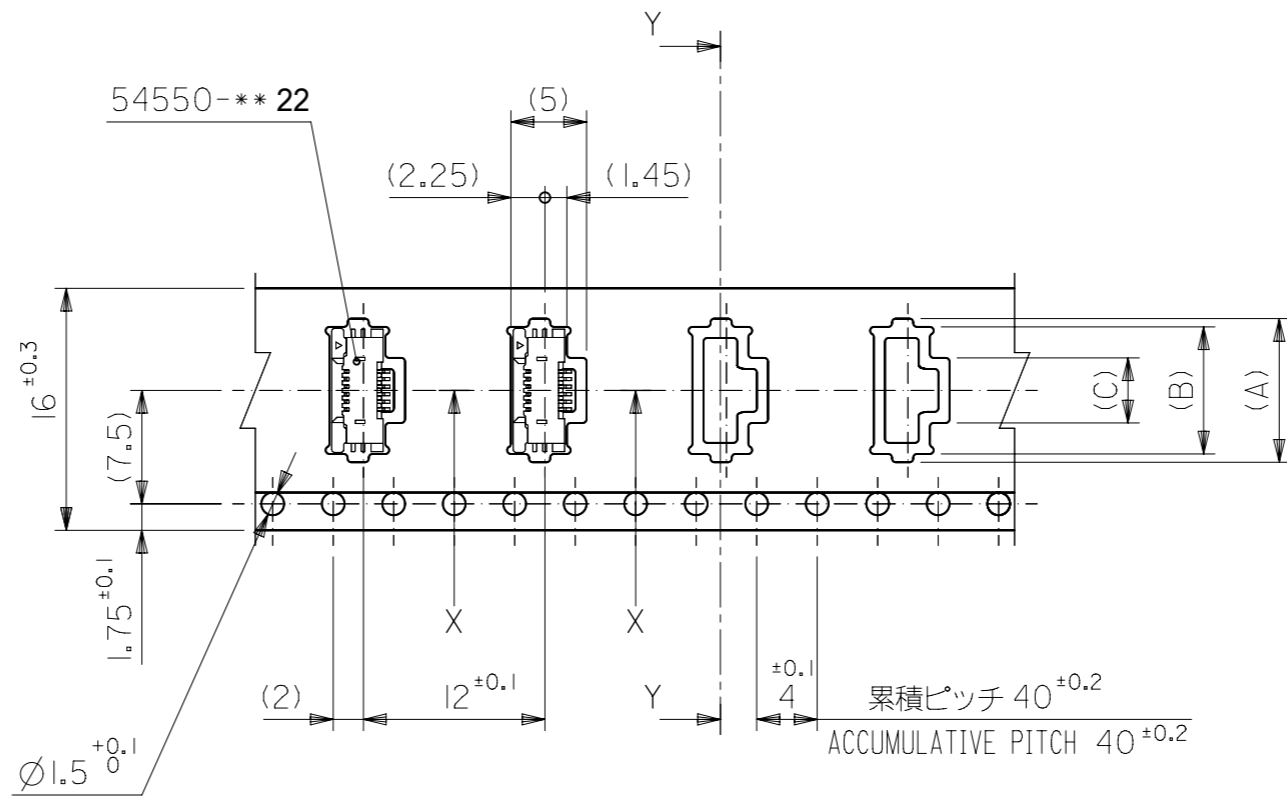
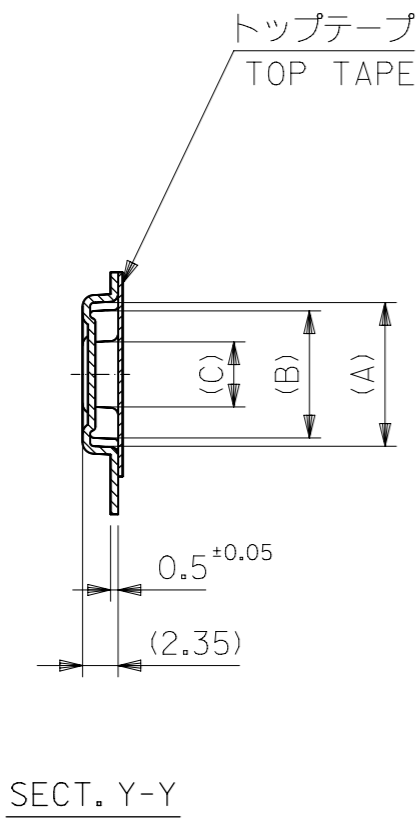


54550-***33 MODEL No.

THIS DRAWING CONTAINS INFORMATION THAT IS PROPRIETARY TO MOLEX ELECTRONIC TECHNOLOGIES, LLC AND SHOULD NOT BE USED WITHOUT WRITTEN PERMISSION		CURRENT REV DESC: OBSOLETE PART NUMBER		molex	
GENERAL TOLERANCES (UNLESS SPECIFIED)		EC NO: 636343			
4 PLACES ±		DRWN: AKUMAR19		2020/04/20	
3 PLACES ±		CHK'D: GGA		2020/07/10	
2 PLACES ±		APPR: GGA		2020/07/10	
1 PLACE ±		INITIAL REVISION:		DOCUMENT NUMBER	
0 PLACES ±		DRWN: NKONDO		SD-54550-076	
ANGULAR TOL ± 3.0°		APPR: KMORIKAWA		DOC TYPE DOC PART REVISION	
DRAFT WHERE APPLICABLE MUST REMAIN WITHIN DIMENSIONS		THIRD ANGLE PROJECTION		PSD 001 A	
		DRAWING		MATERIAL NUMBER	
		A3-SIZE		SEE TABLE	
		SERIES		CUSTOMER	
		54550		GENERAL MARKET	
				SHEET NUMBER	
				1 OF 4	

GENERAL TOLERANCES (UNLESS SPECIFIED)	
10 ^{UNDER}	±0.2
10 ^{OVER} 30 ^{UNDER}	±0.25
30 ^{OVER}	±0.3

引き出し方向
PULL OUT DIRECTION



16mm幅キャリアテープ
16mm WIDTH CARRIER TAPE

16	21.4	17.4	4.3	8.4	9.5	54550-0633	6
			3.8	7.9	9	54550-0533	5
キャリアテープ幅 CARRIER TAPE WIDTH	E	D	(C)	(B)	(A)	製品番号 MATERIAL No.	極数 Ck+
						54550-** 33	MODEL No.

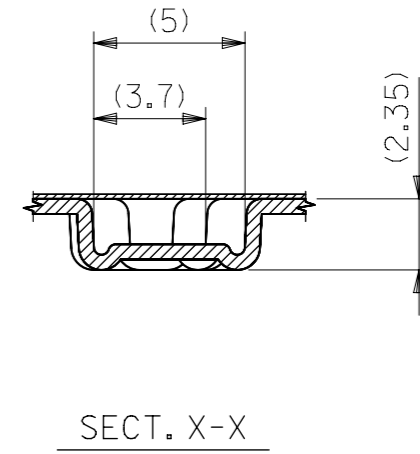
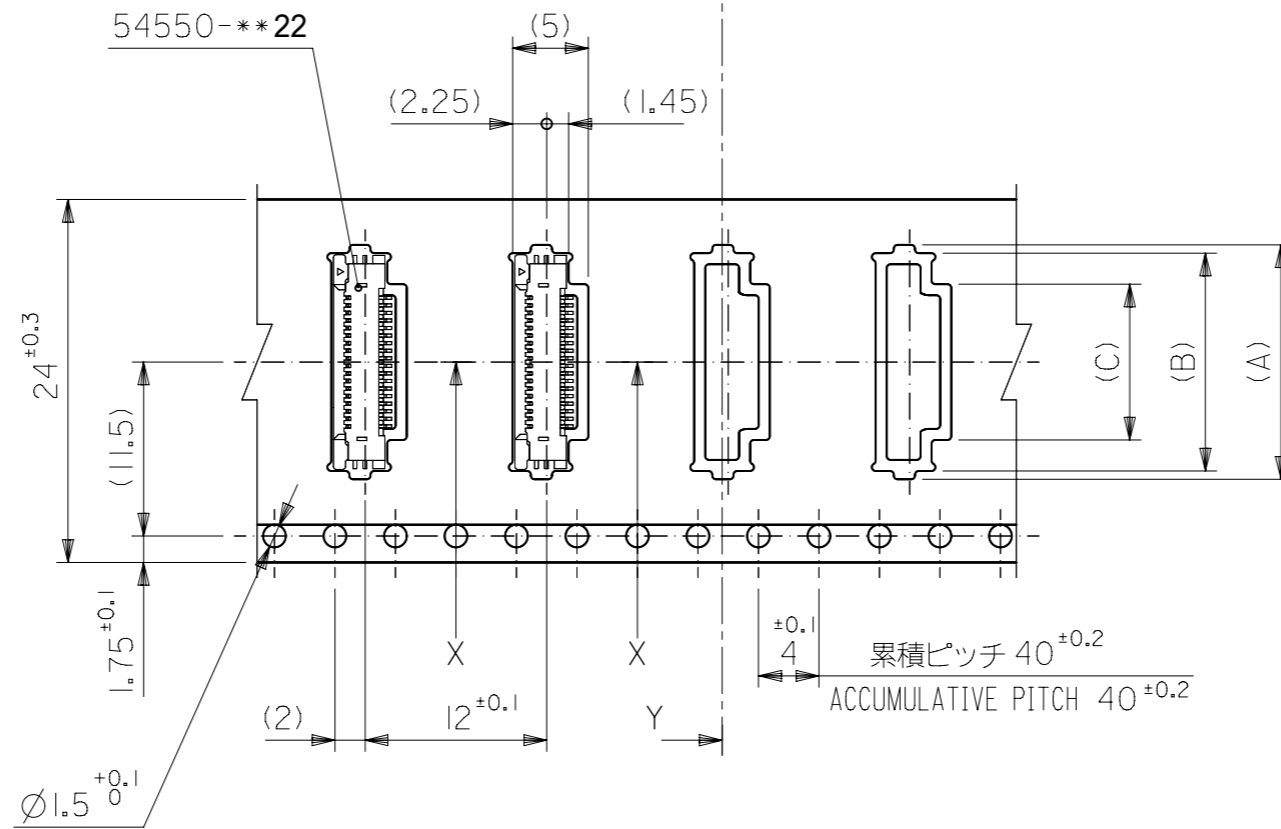
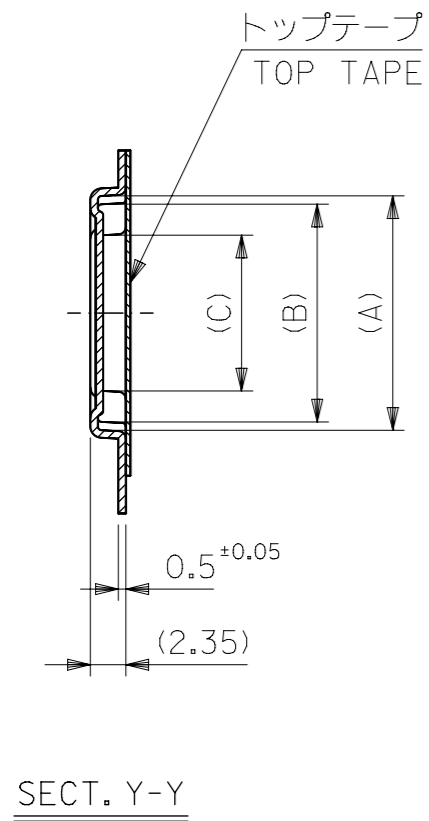
THIS DRAWING CONTAINS INFORMATION THAT IS PROPRIETARY TO MOLEX ELECTRONIC TECHNOLOGIES, LLC AND SHOULD NOT BE USED WITHOUT WRITTEN PERMISSION

DIMENSION UNITS		SCALE		CURRENT REV DESC: OBSOLETE PART NUMBER			
mm		NTS		molex EMBOSS TAPE PACKAGED FOR 0.5MM FPC CONN ZIF R/A HOUSING ASSY PRODUCT CUSTOMER DRAWING EC NO: 636343 DRWN: AKUMAR19 2020/04/20 CHK'D: GGA 2020/07/10 APPR: GGA 2020/07/10 INITIAL REVISION: DRWN: NKONDO 2012/09/13 APPR: KMORIKAWA 2013/03/15 DOCUMENT NUMBER: SD-54550-076 DOC TYPE: PSD DOC PART: 001 REVISION: A MATERIAL NUMBER: SEE TABLE CUSTOMER: GENERAL MARKET SHEET NUMBER: 2 OF 4			
GENERAL TOLERANCES (UNLESS SPECIFIED)							
		MM	INCH				
4 PLACES	±						
3 PLACES	±						
2 PLACES	±						
1 PLACE	±						
0 PLACES	±						
ANGULAR TOL		± 3.0°					
DRAFT WHERE APPLICABLE MUST REMAIN WITHIN DIMENSIONS		THIRD ANGLE PROJECTION		DRAWING		SERIES	
		A3-SIZE		54550			

GENERAL TOLERANCES (UNLESS SPECIFIED)

10 ^{UNDER}	±0.2
10 ^{OVER} 30 ^{UNDER}	±0.25
30 ^{OVER}	±0.3

引き出し方向
PULL OUT DIRECTION



24mm幅キャリアテープ
24mm WIDTH CARRIER TAPE

24	29.4	25.4	11.3	15.4	16.5	54550-20 33	20
			10.3	14.4	15.5	54550-18 33	18
			8.8	12.9	14	54550-15 33	15
			7.3	11.4	12.5	54550-12 33	12
			6.3	10.4	11.5	54550-10 33	10
			5.8	9.9	11	54550-09 33	9
5.3	9.4	10.5	54550-08 33	8			
キャリアテープ幅 CARRIER TAPE WIDTH	E	D	(C)	(B)	(A)	製品番号 MATERIAL No.	極数 Ck+
						54550-*** 33	MODEL No.

THIS DRAWING CONTAINS INFORMATION THAT IS PROPRIETARY TO MOLEX ELECTRONIC TECHNOLOGIES, LLC AND SHOULD NOT BE USED WITHOUT WRITTEN PERMISSION

CURRENT REV DESC: OBSOLETE PART NUMBER

molex

EMBOSS TAPE PACKAGED FOR
0.5MM FPC CONN ZIF R/A HOUSING ASSY

PRODUCT CUSTOMER DRAWING

EC NO: 636343
DRWN: AKUMAR19 2020/04/20
CHK'D: GGA 2020/07/10
APPR: GGA 2020/07/10

INITIAL REVISION:
DRWN: NKONDO 2012/09/13
APPR: KMORIKAWA 2013/03/15

DOCUMENT NUMBER: **SD-54550-076** DOC TYPE: PSD DOC PART: 001 REVISION: **A**

DRAFT WHERE APPLICABLE MUST REMAIN WITHIN DIMENSIONS

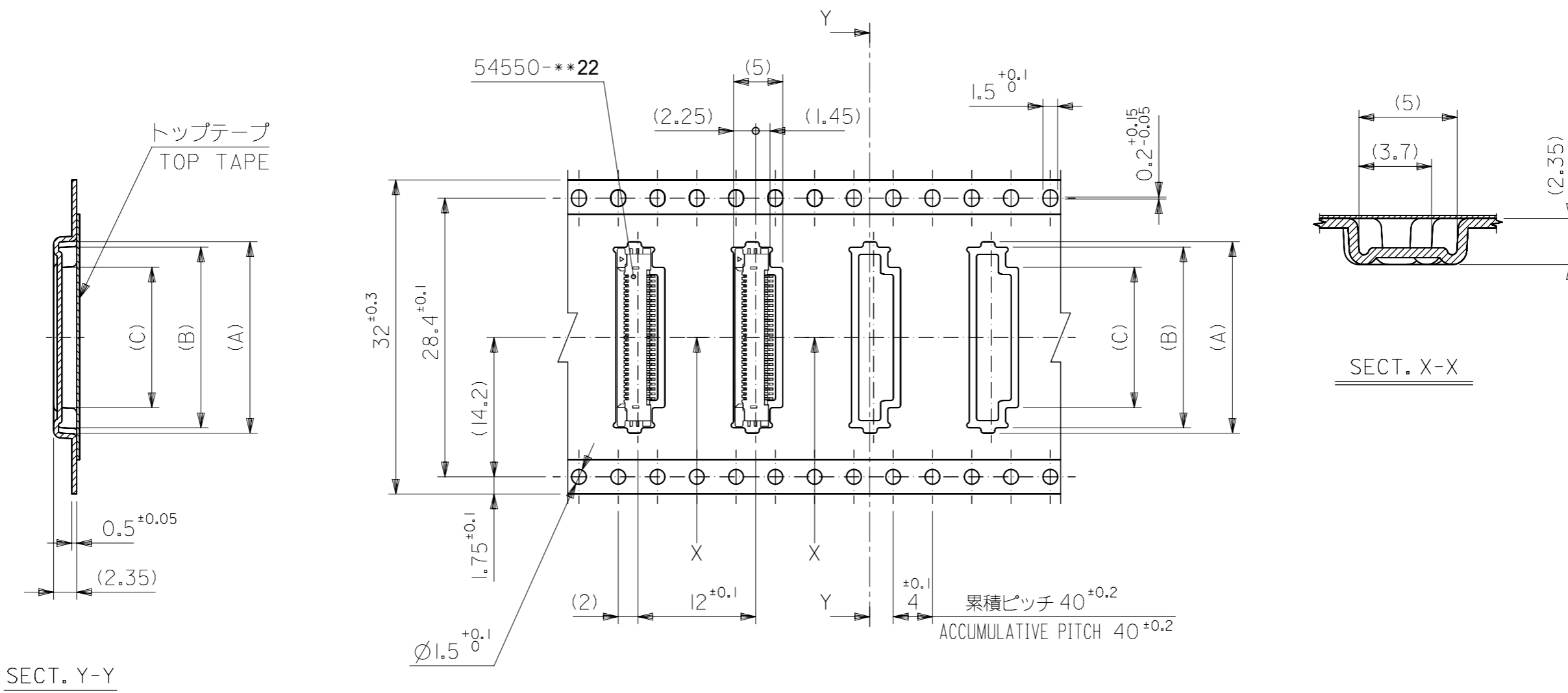
THIRD ANGLE PROJECTION

DRAWING: **A3-SIZE** SERIES: **54550** MATERIAL NUMBER: SEE TABLE CUSTOMER: GENERAL MARKET SHEET NUMBER: 3 OF 4

GENERAL TOLERANCES (UNLESS SPECIFIED)

10 ^{UNDER}	±0.2
10 ^{OVER} 30 ^{UNDER}	±0.25
30 ^{OVER}	±0.3

引き出し方向
PULL OUT DIRECTION



32mm幅キャリアテープ
32mm WIDTH CARRIER TAPE

32	37.4	33.4	13.3	17.4	18.5	54550-24 33	24
キャリアテープ幅 CARRIER TAPE WIDTH	E	D	(C)	(B)	(A)	製品番号 MATERIAL No.	極数 Ck+
						54550-*** 33	MODEL No.

DIMENSION UNITS mm NTS SCALE GENERAL TOLERANCES (UNLESS SPECIFIED)		THIS DRAWING CONTAINS INFORMATION THAT IS PROPRIETARY TO MOLEX ELECTRONIC TECHNOLOGIES, LLC AND SHOULD NOT BE USED WITHOUT WRITTEN PERMISSION CURRENT REV DESC: OBSOLETE PART NUMBER		molex EMBOSS TAPE PACKAGED FOR 0.5MM FPC CONN ZIF R/A HOUSING ASSY																									
<table border="1"> <tr> <th colspan="2">GENERAL TOLERANCES (UNLESS SPECIFIED)</th> <th>MM</th> <th>INCH</th> </tr> <tr> <td>4 PLACES</td> <td>±</td> <td></td> <td></td> </tr> <tr> <td>3 PLACES</td> <td>±</td> <td></td> <td></td> </tr> <tr> <td>2 PLACES</td> <td>±</td> <td></td> <td></td> </tr> <tr> <td>1 PLACE</td> <td>±</td> <td></td> <td></td> </tr> <tr> <td>0 PLACES</td> <td>±</td> <td></td> <td></td> </tr> </table>		GENERAL TOLERANCES (UNLESS SPECIFIED)				MM	INCH	4 PLACES	±			3 PLACES	±			2 PLACES	±			1 PLACE	±			0 PLACES	±			EC NO: 636343 DRWN: AKUMAR19 2020/04/20 CHK'D: GGA 2020/07/10 APPR: GGA 2020/07/10	
GENERAL TOLERANCES (UNLESS SPECIFIED)		MM	INCH																										
4 PLACES	±																												
3 PLACES	±																												
2 PLACES	±																												
1 PLACE	±																												
0 PLACES	±																												
<table border="1"> <tr> <td>10^{UNDER}</td> <td>±0.2</td> </tr> <tr> <td>10^{OVER} 30^{UNDER}</td> <td>±0.25</td> </tr> <tr> <td>30^{OVER}</td> <td>±0.3</td> </tr> </table>		10 ^{UNDER}	±0.2	10 ^{OVER} 30 ^{UNDER}	±0.25	30 ^{OVER}	±0.3	ANGULAR TOL ± 3.0° DRAFT WHERE APPLICABLE MUST REMAIN WITHIN DIMENSIONS		INITIAL REVISION: DRWN: NKONDO 2012/09/13 APPR: KMORIKAWA 2013/03/15		DOCUMENT NUMBER SD-54550-076		DOC TYPE DOC PART REVISION PSD 001 A															
10 ^{UNDER}	±0.2																												
10 ^{OVER} 30 ^{UNDER}	±0.25																												
30 ^{OVER}	±0.3																												
DOCUMENT STATUS P1 RELEASE DATE 2020/07/10 12:03:14		THIRD ANGLE PROJECTION 		DRAWING SERIES MATERIAL NUMBER CUSTOMER SHEET NUMBER A3-SIZE 54550 SEE TABLE GENERAL MARKET 4 OF 4																									