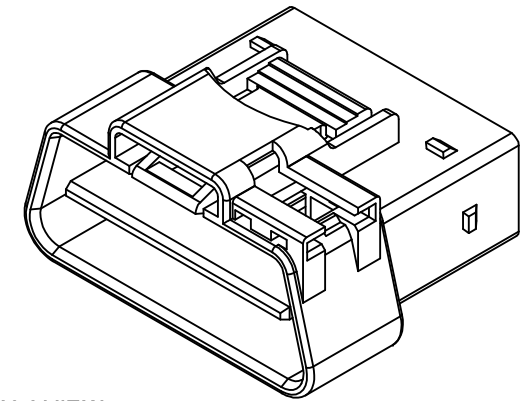
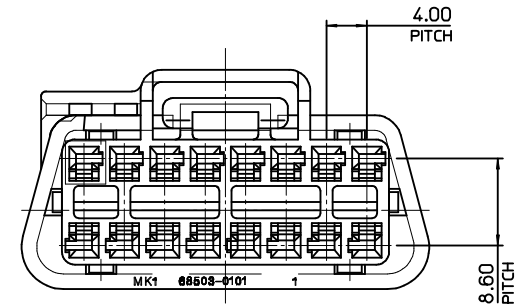
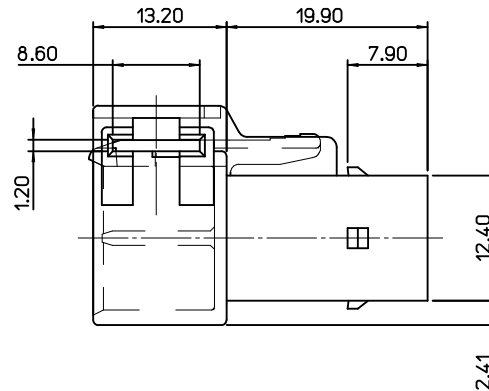
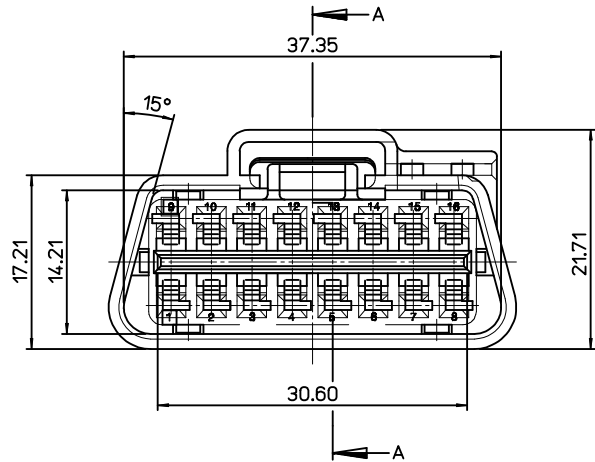


SECTION A-A



ISOVIEW



<TABLE 1>

685031602	68503-1602
MATERIAL NO.	ORDER NO.

DESIGN UNITS METRIC	THIRD ANGLE PROJECTION
------------------------	---------------------------

OBD MALE HOUSING 16P

MOLEX INCORPORATED

DOCUMENT NO. **SD-68503-004** SHEET NO. **1 OF 1**

NOTE

- MATERIAL : POLYESTER(PBT),BLACK
- MATES WITH : HSG,51115-1601/51116-1601
TERMINAL,57964-9702
- USE WITH(OPTION) : WIRE DRESS COVER,68503-0101
CPA,68503-0103

REVISED EC NO: KOR2009-0034 DRW: EOKIM 2008/10/08 CHK: BGYOON 2008/10/14 APPR: YUNSIKKIM 2008/10/14	QUALITY SYMBOLS	GENERAL TOLERANCES (UNLESS SPECIFIED)	DIMENSION STYLE	SCALE	TITLE															
	$\nabla = 0$ $\sphericalangle = 0$	<table border="1"> <tr> <td></td> <td>mm</td> <td>INCH</td> </tr> <tr> <td>4 PLACES</td> <td>± ---</td> <td>± ---</td> </tr> <tr> <td>3 PLACES</td> <td>± ---</td> <td>± ---</td> </tr> <tr> <td>2 PLACES</td> <td>± 0.30</td> <td>± ---</td> </tr> <tr> <td>1 PLACE</td> <td>± ---</td> <td>± ---</td> </tr> </table>		mm	INCH	4 PLACES	± ---	± ---	3 PLACES	± ---	± ---	2 PLACES	± 0.30	± ---	1 PLACE	± ---	± ---	MM ONLY	2:1	OBD MALE HOUSING 16P
		mm	INCH																	
	4 PLACES	± ---	± ---																	
3 PLACES	± ---	± ---																		
2 PLACES	± 0.30	± ---																		
1 PLACE	± ---	± ---																		
	ANGULAR ± 1°																			
		DRAFT WHERE APPLICABLE MUST REMAIN WITHIN DIMENSIONS	SEE TABLE 1																	

DRAWN BY	DATE	MATERIAL NO. SEE TABLE 1
HCRHO	2001/12/29	
CHECKED BY	DATE	
HCRHO	2001/12/29	
APPROVED BY	DATE	SIZE A3
CWLEE	2001/12/29	THIS DRAWING CONTAINS INFORMATION THAT IS PROPRIETARY TO MOLEX INCORPORATED AND SHOULD NOT BE USED WITHOUT WRITTEN PERMISSION