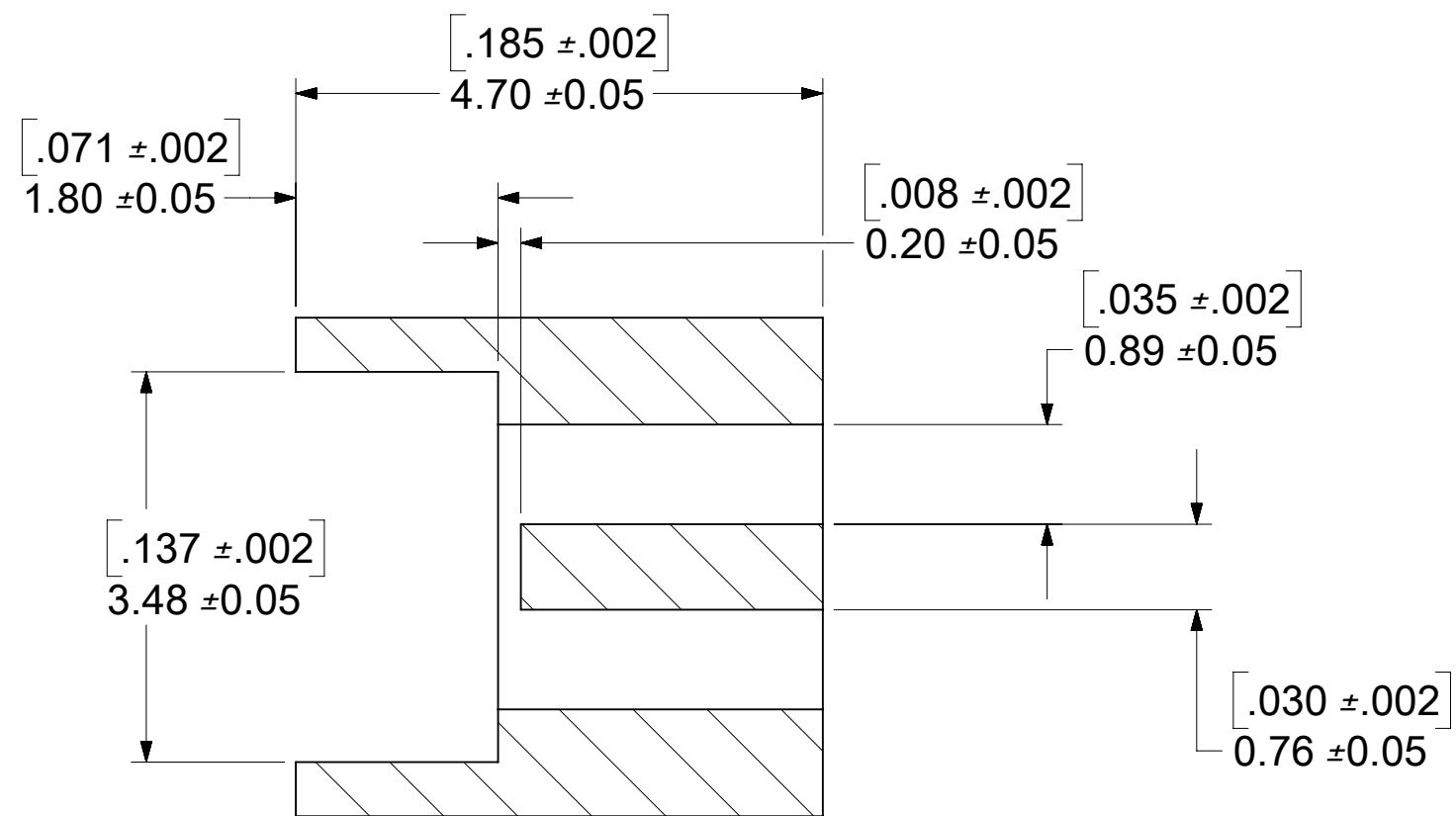
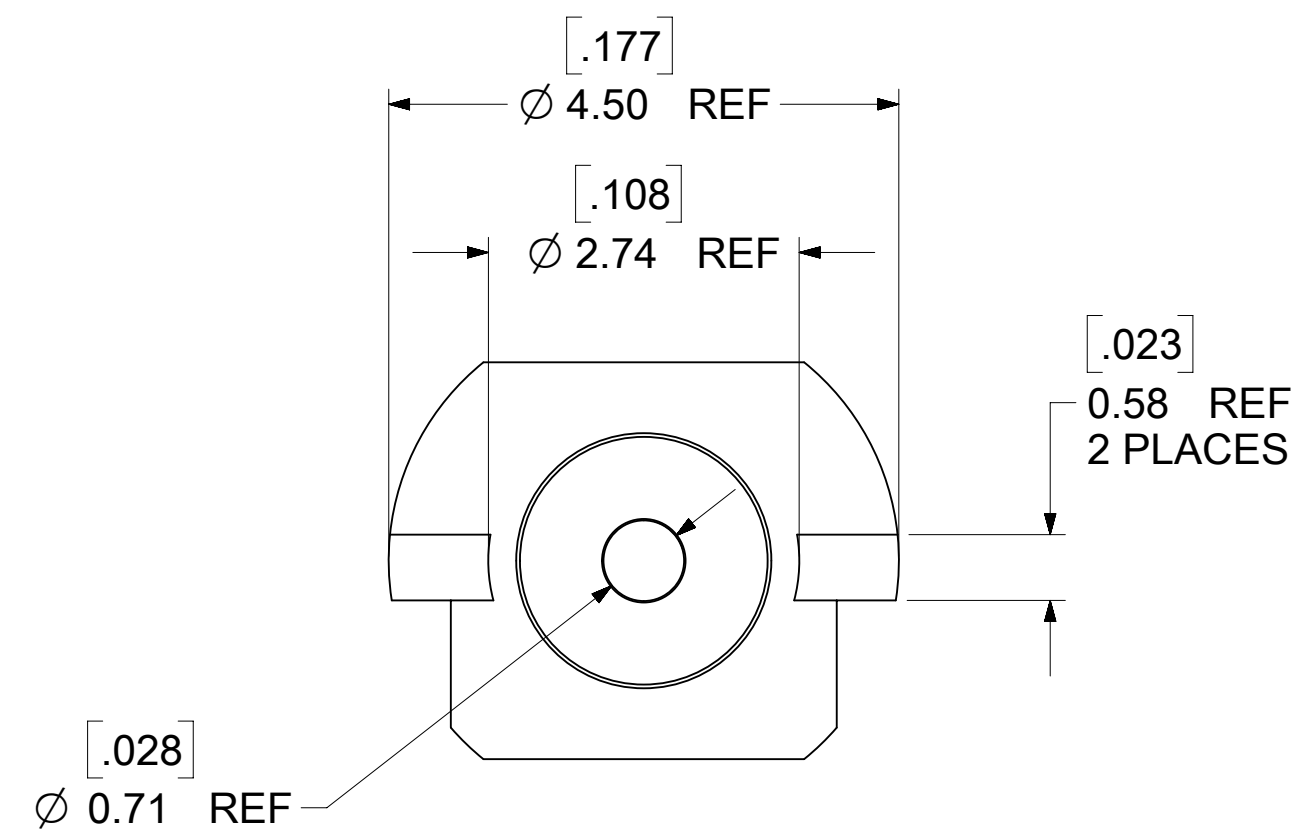
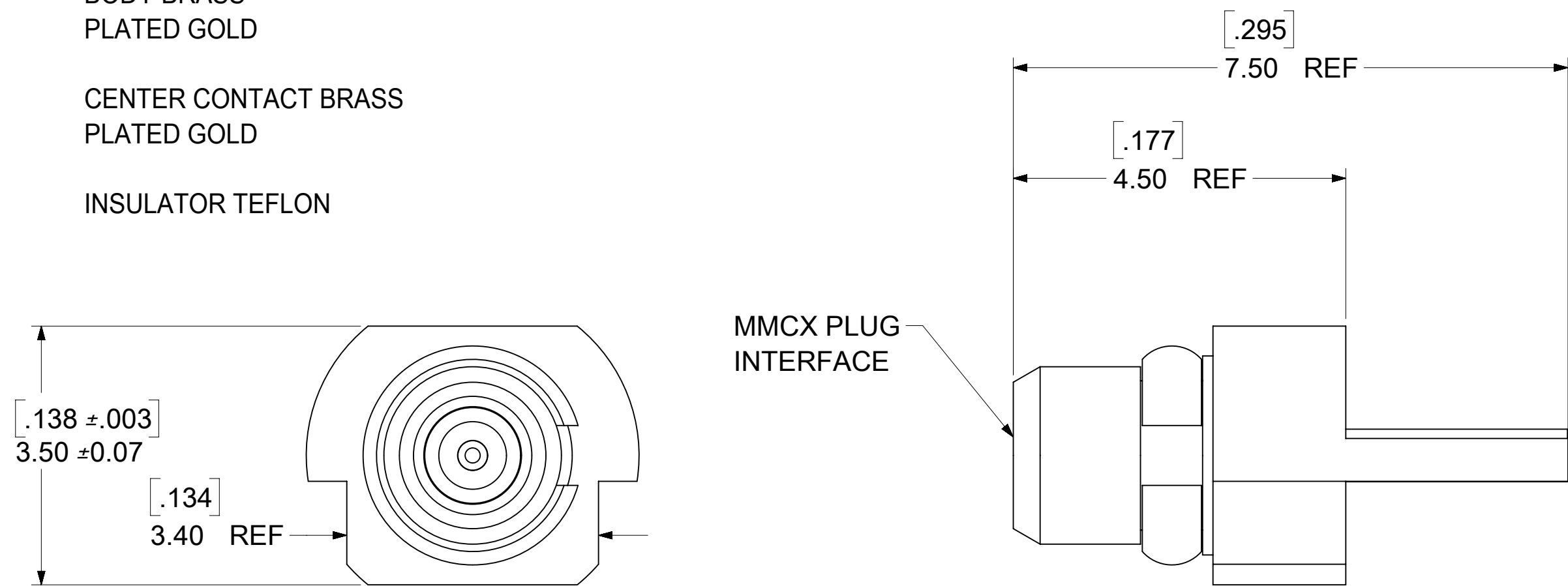
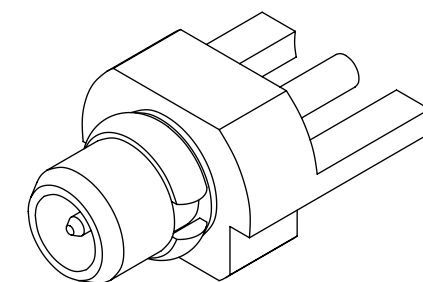


MATERIALS AND FINISHES

BODY BRASS
PLATED GOLD

CENTER CONTACT BRASS
PLATED GOLD

INSULATOR TEFLON



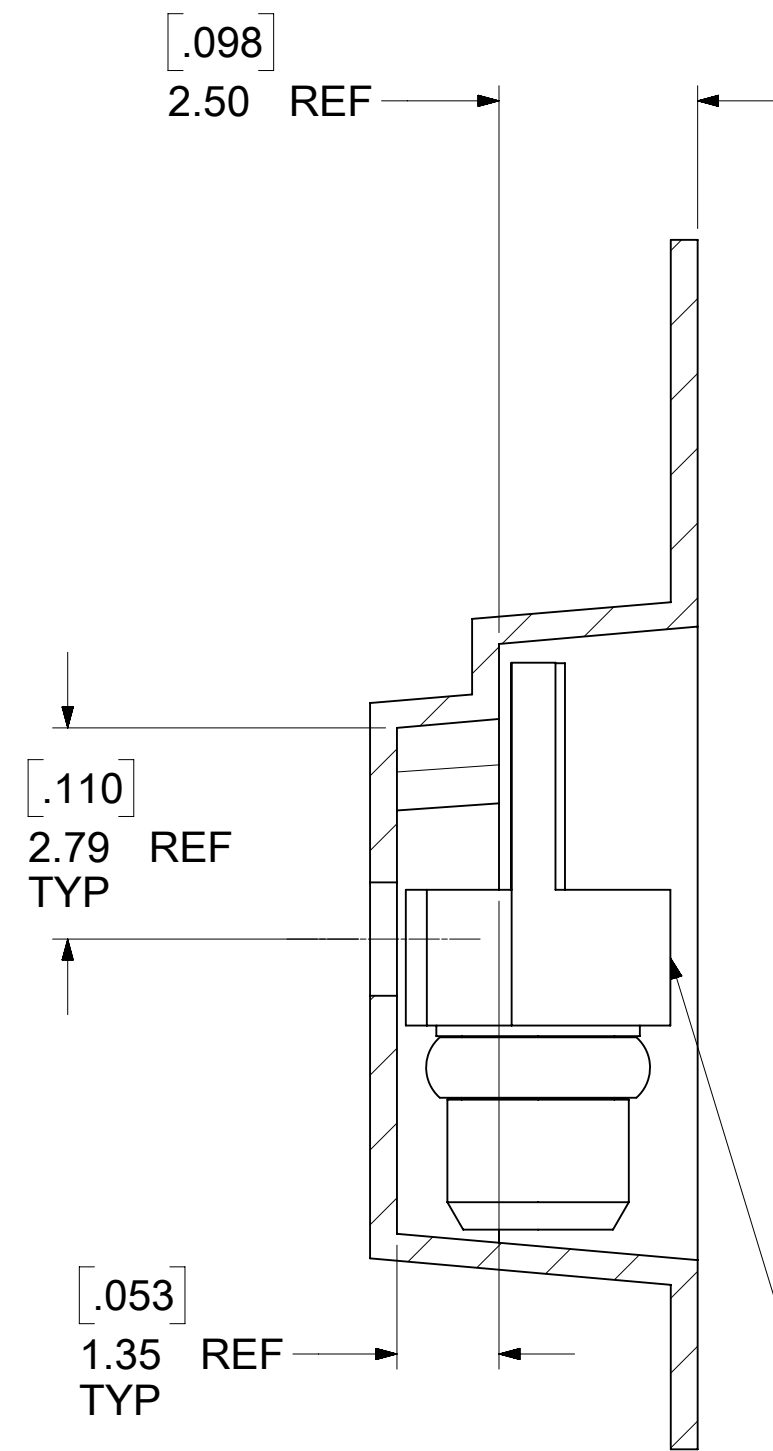
BOARD MATERIAL: FR4, 1.4mm(.055) THICK
PCB LAYOUT WITH GROUND PLANE

CECC 22 340	INTERFACE
PS-89675-1920	ELECTRO/MECH PERFORM.
SPECIFICATION	DESCRIPTION

73415-0993	P/N 73415-0991, ONE PER BAG
73415-0992	PER COMMERCIAL REQUIREMENTS, TAPE AND REEL
73415-0991	PER COMMERCIAL REQUIREMENTS, BAG-500 PCS
73415-0990	PER MILITARY REQUIREMENTS, BAG-500 PCS
PART NO.	PLATING AND PACKAGING

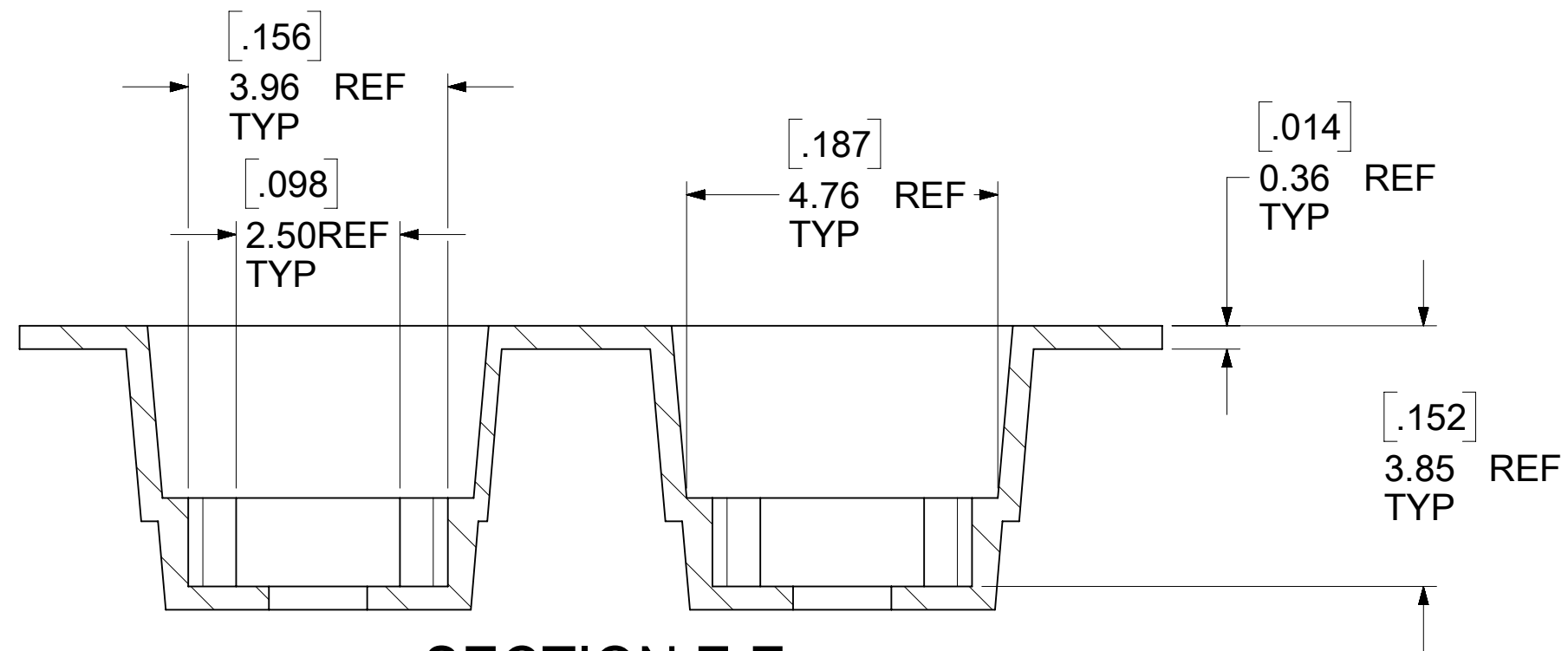
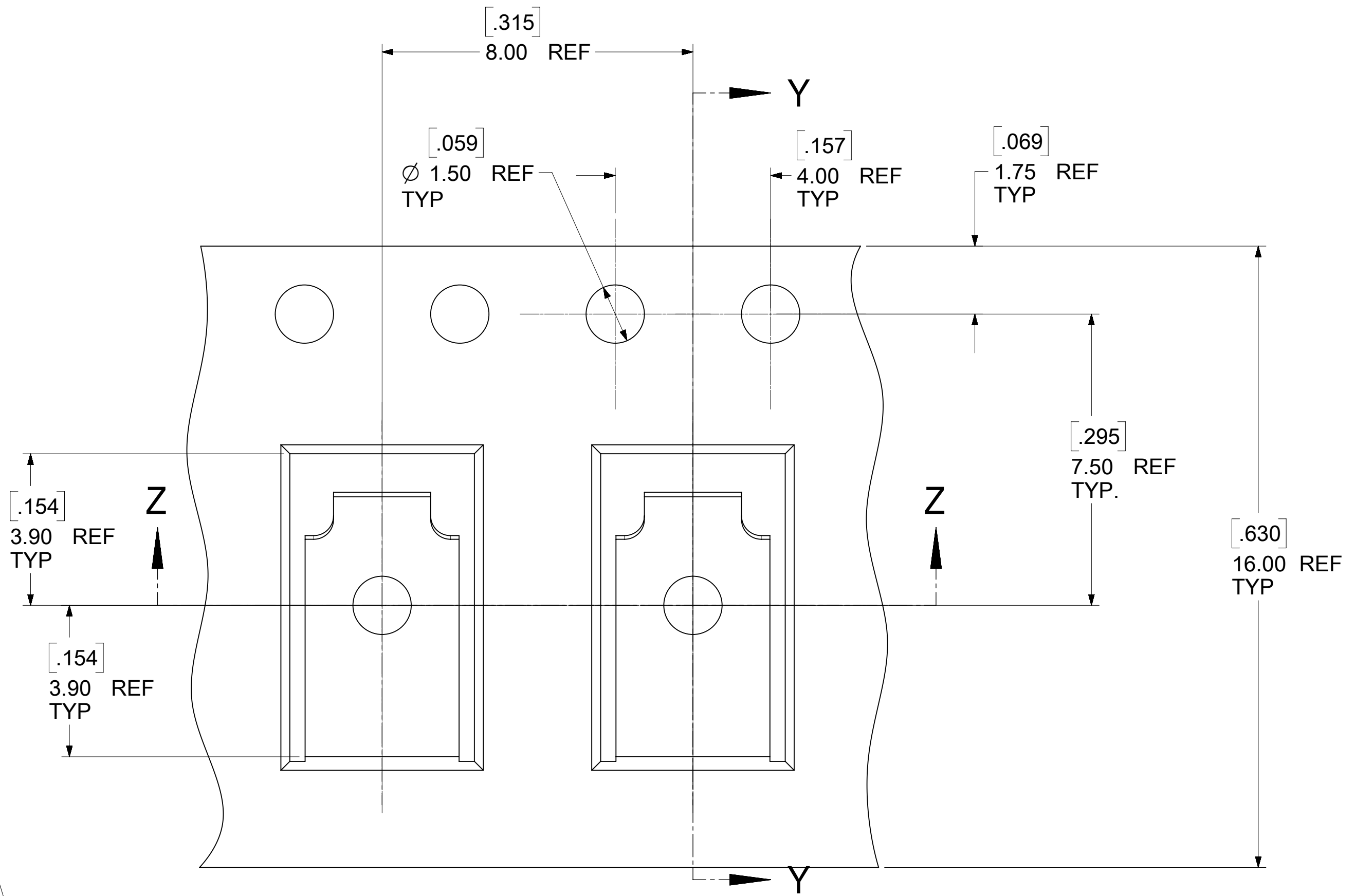
E6	2018/10/25	CHG DIM TOL FROM 3.50 REF TO 3.50±0.07
E5	2017/08/02	CHANGE WORD FROM "COMMERICAL" TO "COMMERCIAL"
REV	DATE	DESCRIPTION

SYMBOLS	THIS DRAWING CONTAINS INFORMATION THAT IS PROPRIETARY TO MOLEX ELECTRONIC TECHNOLOGIES, LLC AND SHOULD NOT BE USED WITHOUT WRITTEN PERMISSION		
	DIMENSION UNITS	SCALE	CURRENT REV DESC:
▽ = 0	HYBRID	1:1	EC NO: 606630 DRWN: JSU18 2018/10/25 CHK'D: YCHENG 2019/08/07 APPR: YCHENG 2019/08/07
▽ = 0	GENERAL TOLERANCES (UNLESS SPECIFIED)		
▽ = 0	ANGULAR TOL ± 2.0°		INITIAL REVISION: DRWN: JTSAO 2004/10/04 APPR: MHUANG 2004/10/06
▽ = 0	4 PLACES ±		
▽ = 0	3 PLACES ±		DOCUMENT NUMBER SD-73415-099 MATERIAL NUMBER CUSTOMER MOLEX
▽ = 0	2 PLACES ±		
▽ = 0	1 PLACE ±		DOC TYPE PSD DOC PART 001 REVISION E6
▽ = 0	0 PLACES ±		
▽ = 0	DRAFT WHERE APPLICABLE MUST REMAIN WITHIN DIMENSIONS	THIRD ANGLE PROJECTION	DRAWING C-SIZE
▽ = 0		SERIES 73415	SHEET NUMBER 1 OF 4



SECTION Y-Y

MOLEX P/N 73415-0991
1200 PLACES



SECTION Z-Z

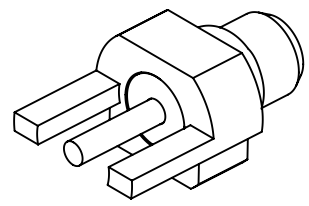
NOTE:
1. DIMENSIONS ARE PROVIDED FOR REFERENCE ONLY.

SYMBOLS ▽ = 0 ▽ = 0 ▽ = 0 ▽ = 0 ▽ = 0 ▽ = 0 ▽ = 0 ▽ = 0 ▽ = 0 ▽ = 0	THIS DRAWING CONTAINS INFORMATION THAT IS PROPRIETARY TO MOLEX ELECTRONIC TECHNOLOGIES, LLC AND SHOULD NOT BE USED WITHOUT WRITTEN PERMISSION		
	DIMENSION UNITS	SCALE	CURRENT REV DESC:
	HYBRID	1:1	EC NO: 606630 DRWN: JSU18 CHK'D: YCHENG APPR: YCHENG
	GENERAL TOLERANCES (UNLESS SPECIFIED)		2018/10/25 2019/08/07 2019/08/07
ANGULAR TOL ± 2.0°		INITIAL REVISION:	
4 PLACES ±		DRWN: JTSAO APPR: MHUANG	
3 PLACES ±		2004/10/04 2004/10/06	
2 PLACES ±			
1 PLACE ±			
0 PLACES ±			
DRAFT WHERE APPLICABLE MUST REMAIN WITHIN DIMENSIONS	THIRD ANGLE PROJECTION	DRAWING	SERIES
		C-SIZE	73415
		MATERIAL NUMBER	CUSTOMER
		SD-73415-099	MOLEX
		DOC TYPE	DOC PART
		PSD	001
		REVISION	E6
		SHEET NUMBER	2 OF 4

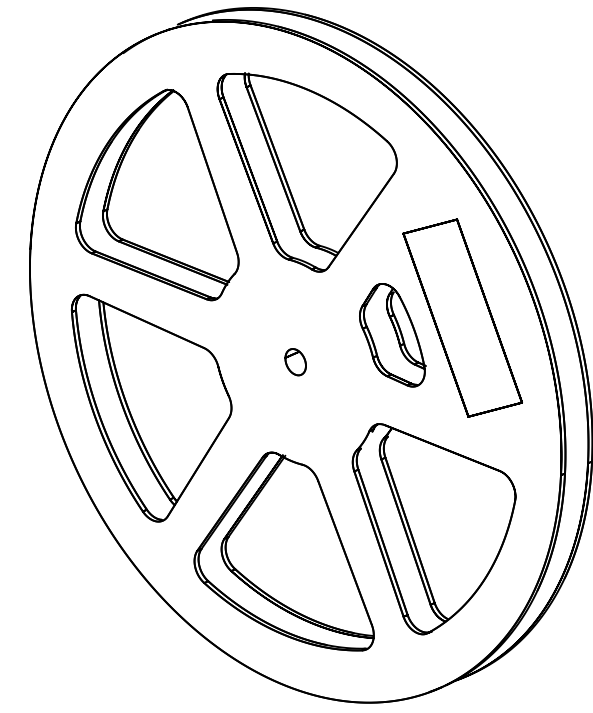
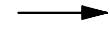
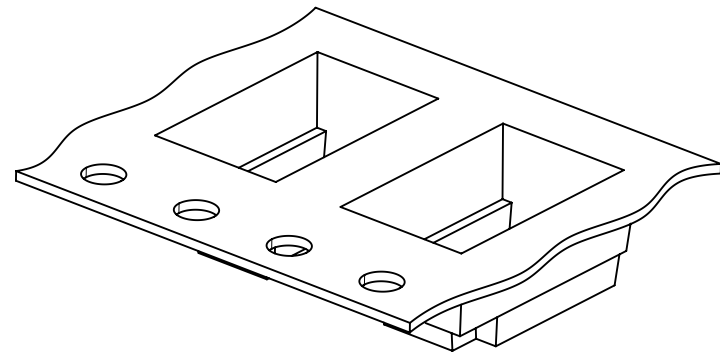
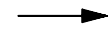


MMCX PLUG, EDGE MOUNT
LAUNCHER, 50 OHMS MMCX-P/PCB

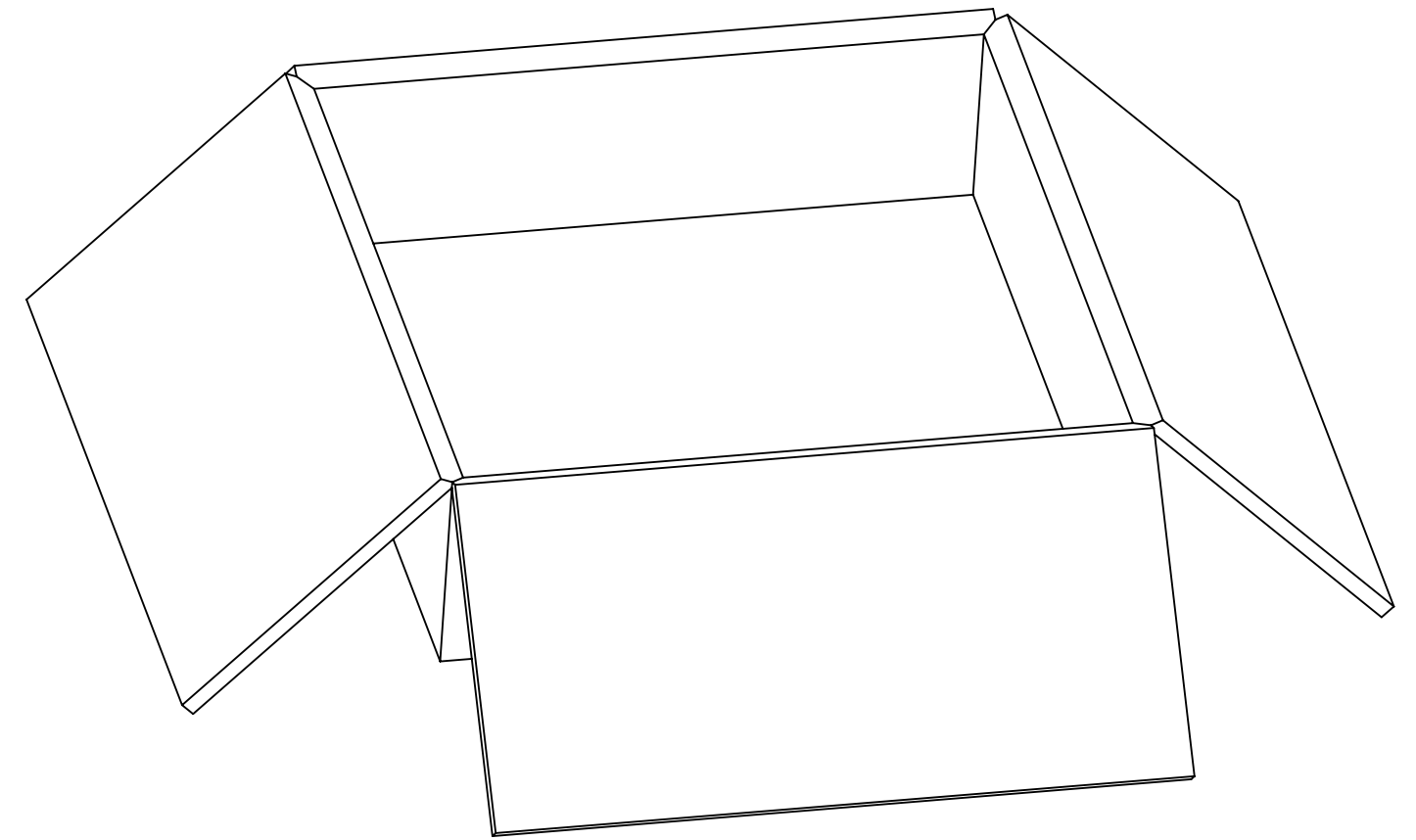
PRODUCT CUSTOMER DRAWING



PART NO.
73415-0992



1500 SET PER 13" REEL



6000 SET PER OUTER
CARTON BOX
339 X 339 X 100 REF.

SYMBOLS = 0 = 0 = 0 = 0 = 0 = 0 = 0 = 0 = 0	THIS DRAWING CONTAINS INFORMATION THAT IS PROPRIETARY TO MOLEX ELECTRONIC TECHNOLOGIES, LLC AND SHOULD NOT BE USED WITHOUT WRITTEN PERMISSION		
	DIMENSION UNITS	SCALE	CURRENT REV DESC:
	HYBRID	1:10	
	GENERAL TOLERANCES (UNLESS SPECIFIED)		EC NO: 606630
	ANGULAR TOL	± 2.0°	DRWN: JSU18 2018/10/25
	4 PLACES	±	CHK'D: YCHENG 2019/08/07
	3 PLACES	±	APPR: YCHENG 2019/08/07
	2 PLACES	±	INITIAL REVISION:
	1 PLACE	±	DRWN: JTSAO 2004/10/04
	0 PLACES	±	APPR: MHUANG 2004/10/06
DRAFT WHERE APPLICABLE MUST REMAIN WITHIN DIMENSIONS		THIRD ANGLE PROJECTION	DRAWING
			C-SIZE
		SERIES	73415
DOCUMENT NUMBER		DOC TYPE	DOC PART
SD-73415-099		PSD	001
MATERIAL NUMBER		CUSTOMER	REVISION
		MOLEX	E6
SHEET NUMBER		4 OF 4	

molex

MMCX PLUG, EDGE MOUNT
LAUNCHER, 50 OHMS MMCX-P/PCB

PRODUCT CUSTOMER DRAWING