

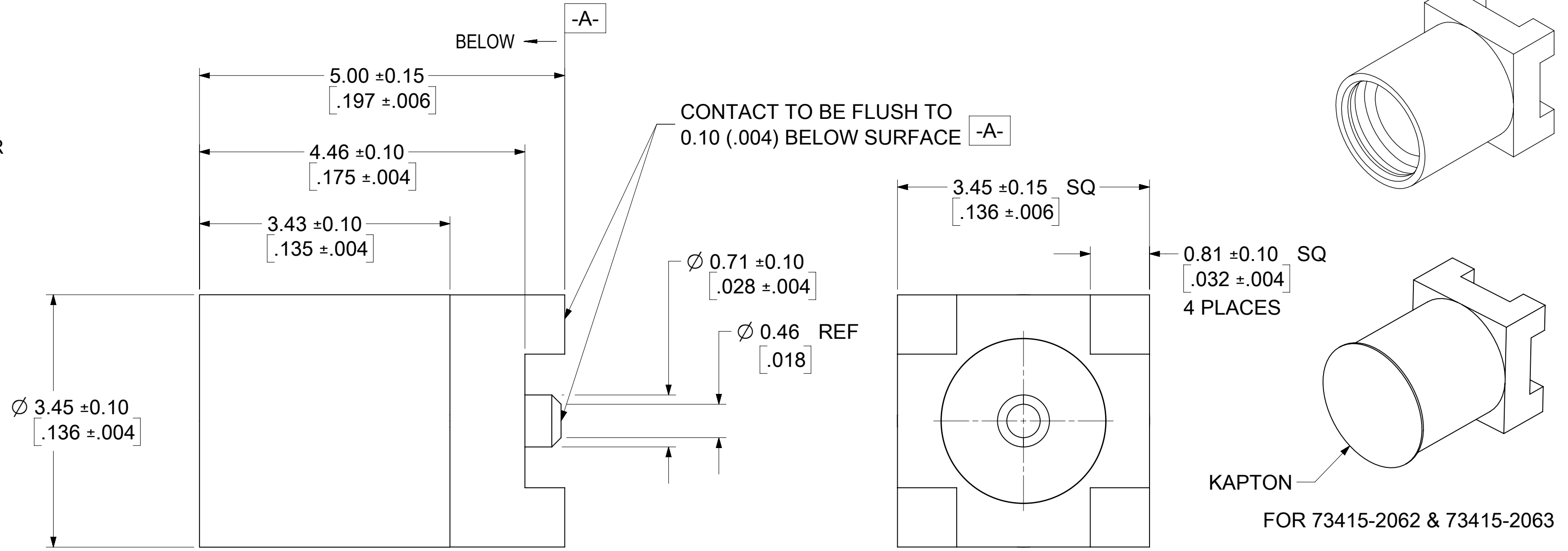
MATERIALS AND FINISHES

BODY BRASS
PLATED GOLD

CENTER CONTACT BERYLLIUM COPPER
PLATED GOLD

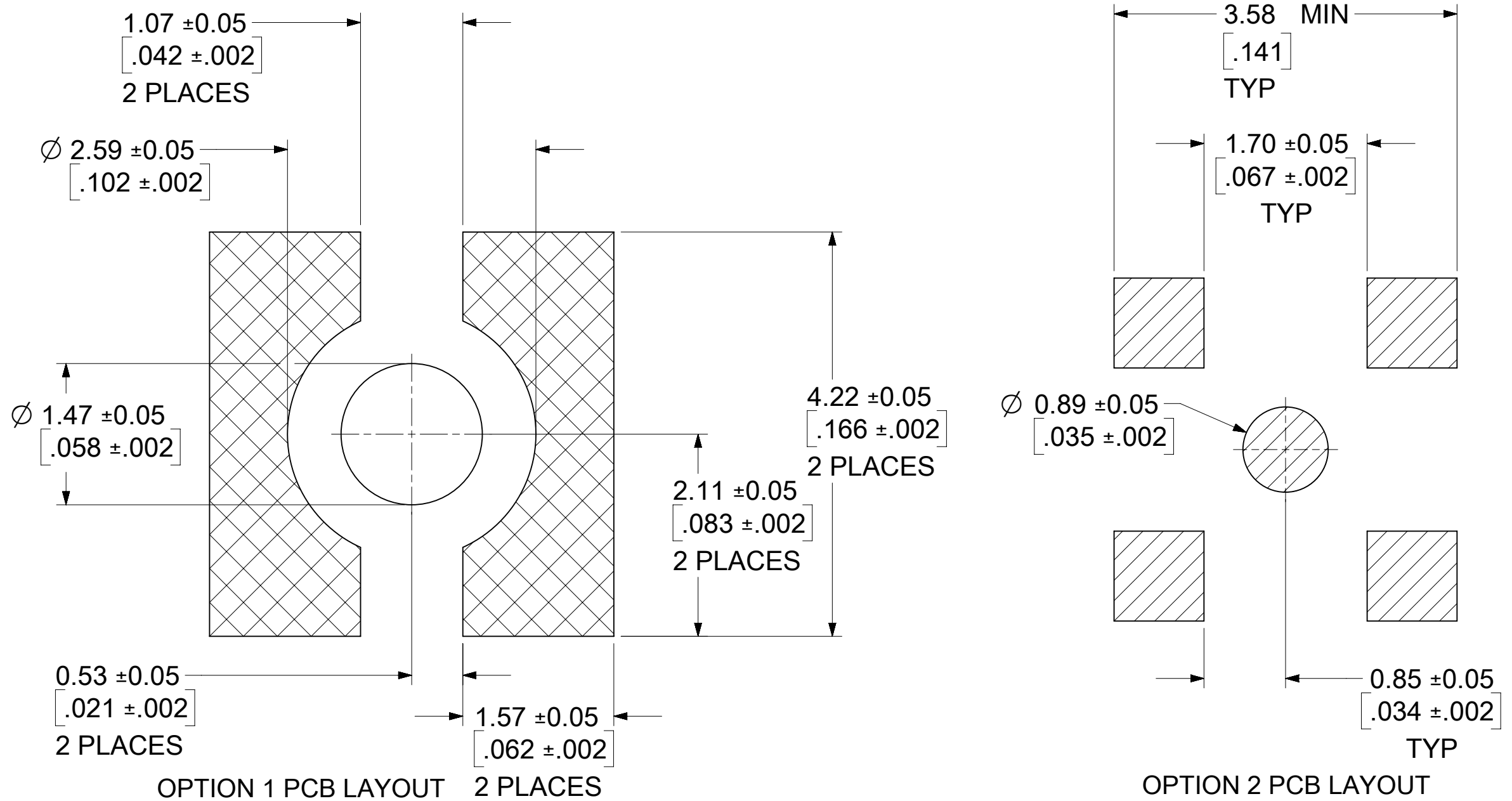
INSULATOR TEFLON

KAPTON
COLOR AMBER

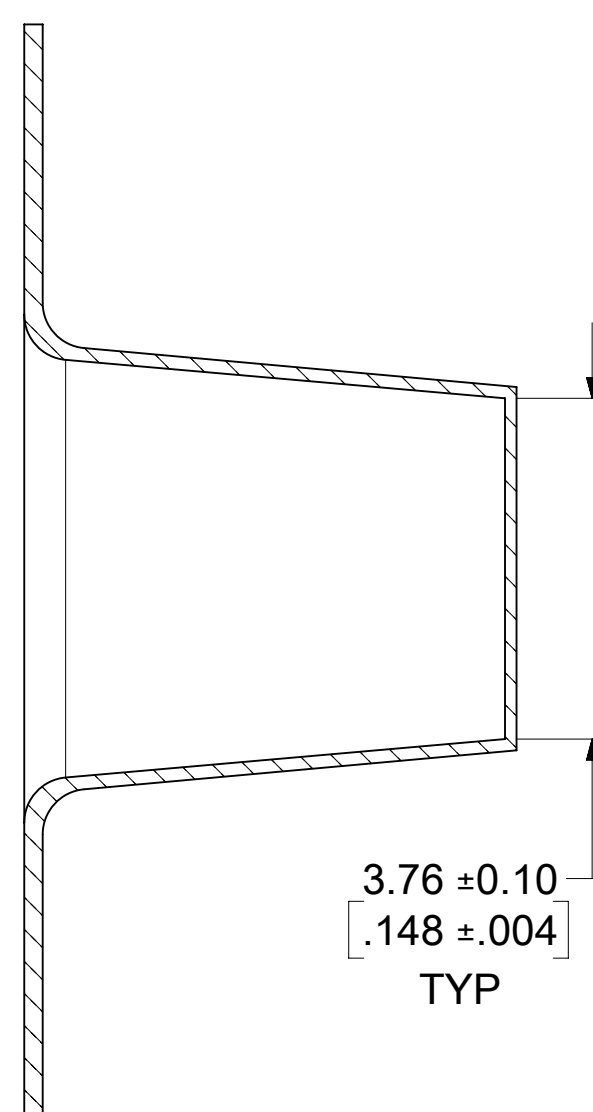
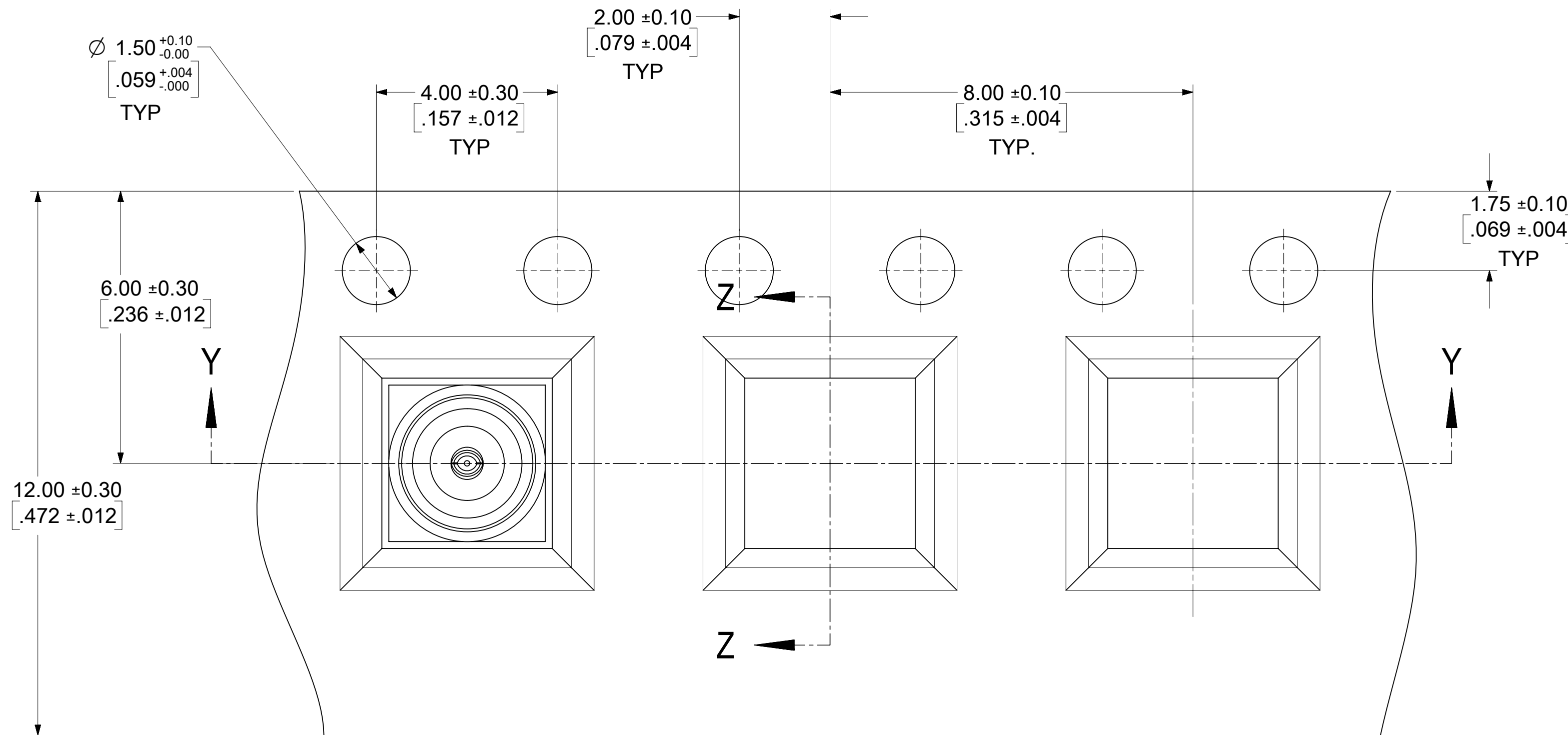


PS-89675-1920	ELECTRO/MECH PERFORM.
SPECIFICATION	DESCRIPTION

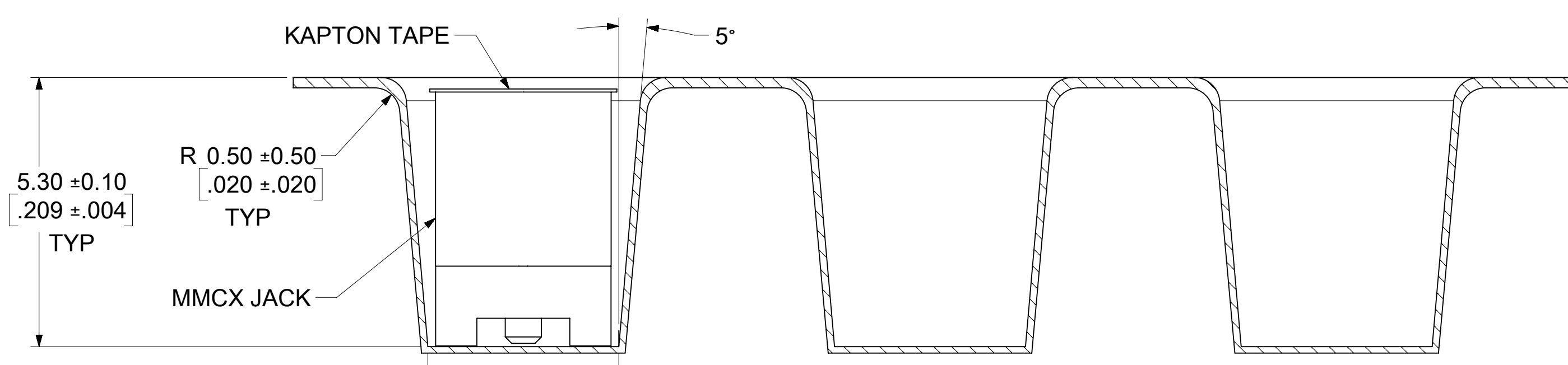
73415-2065	73415-2061 WITH TAPE & REEL WITHOUT KAPTON
73415-2064	73415-2061. ONE PER BAG
73415-2063	73415-2061 WITH TAPE & REEL/KAPTON
73415-2062	73415-2060 WITH TAPE & REEL/KAPTON
73415-2061	PER COMMERCIAL REQUIREMENTS, PACKING TRAY
73415-2060	PER MILITARY REQUIREMENTS, PACKING TRAY
PART NO.	PLATING



FUNCTIONAL SYMBOLS	THIS DRAWING CONTAINS INFORMATION THAT IS PROPRIETARY TO MOLEX ELECTRONIC TECHNOLOGIES, LLC AND SHOULD NOT BE USED WITHOUT WRITTEN PERMISSION										
	THIS DRAWING CONTAINS INFORMATION THAT IS PROPRIETARY TO MOLEX ELECTRONIC TECHNOLOGIES, LLC AND SHOULD NOT BE USED WITHOUT WRITTEN PERMISSION	DIMENSION UNITS	SCALE	CURRENT REV DESC:							molex
MM/INCH	NTS	EWR # 13872-A ADD KAPTON FOR -2063 EWR # 15132-A UPDATE PACKAGE DRAWING ADDED Ø0.46 REF DIMENSION									
GENERAL TOLERANCES (UNLESS SPECIFIED)	ANGULAR TOL ± 2.0°										
	EC NO: 639888										
DIVISIONAL SYMBOLS	DRWN: JSU18 2020/06/18										
	CHK'D: YCHENG 2022/06/06										
APPR: YCHENG 2022/06/06											
INITIAL REVISION:											
DRWN: TFLAHERTY 2006/02/09											
APPR: JWIENER 2006/02/09											
DRAFT WHERE APPLICABLE MUST REMAIN WITHIN DIMENSIONS		THIRD ANGLE PROJECTION		DRAWING		SERIES		MATERIAL NUMBER		CUSTOMER	
				C-SIZE		73415		SD-73415-206		GENERAL MARKET	
DOCUMENT STATUS		P1		RELEASE DATE		2022/06/06 06:20:24		DOC TYPE		DOC PART	
								PSD		001	
								REVISION		B1	
								SHEET NUMBER		1 OF 4	



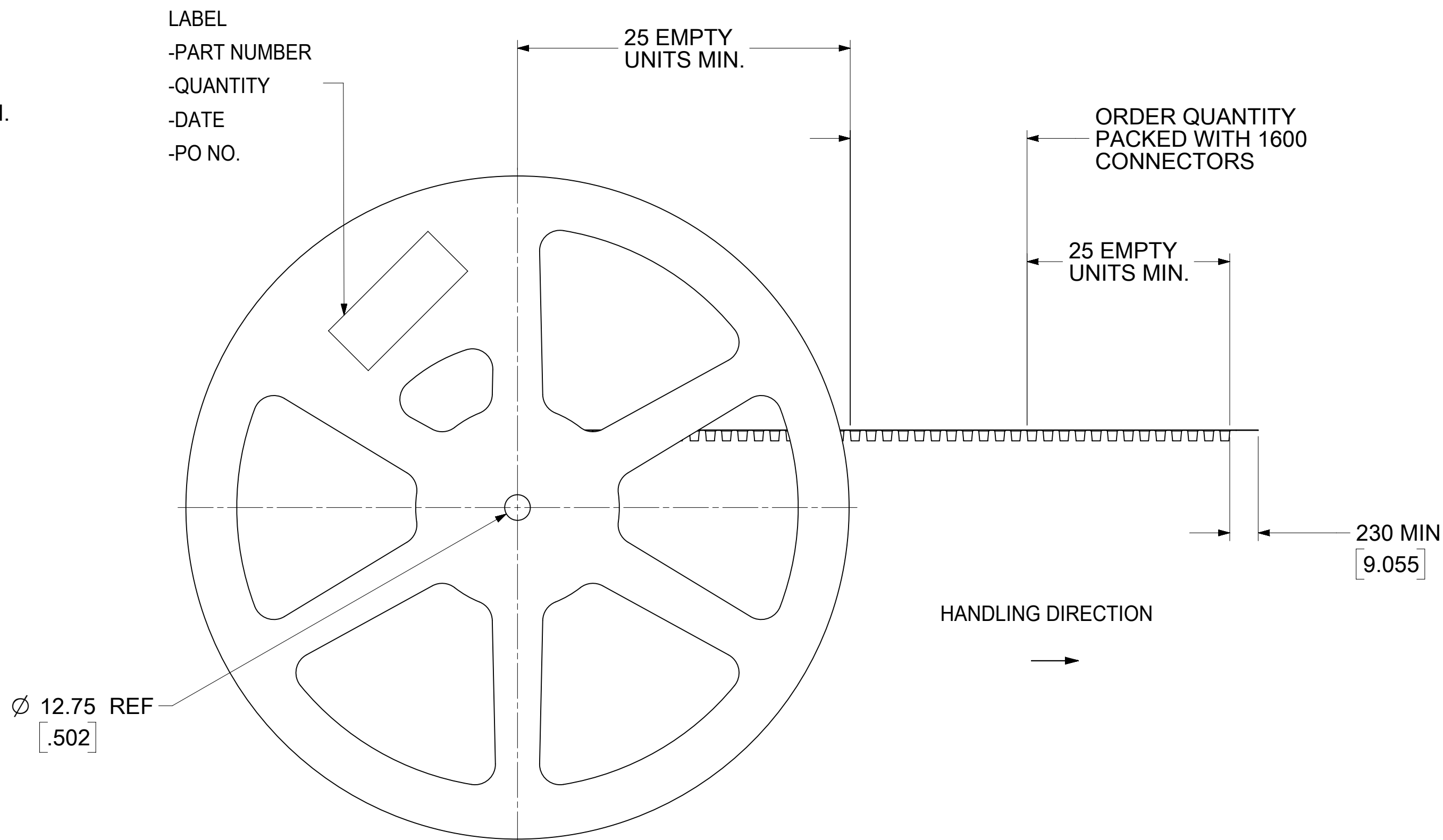
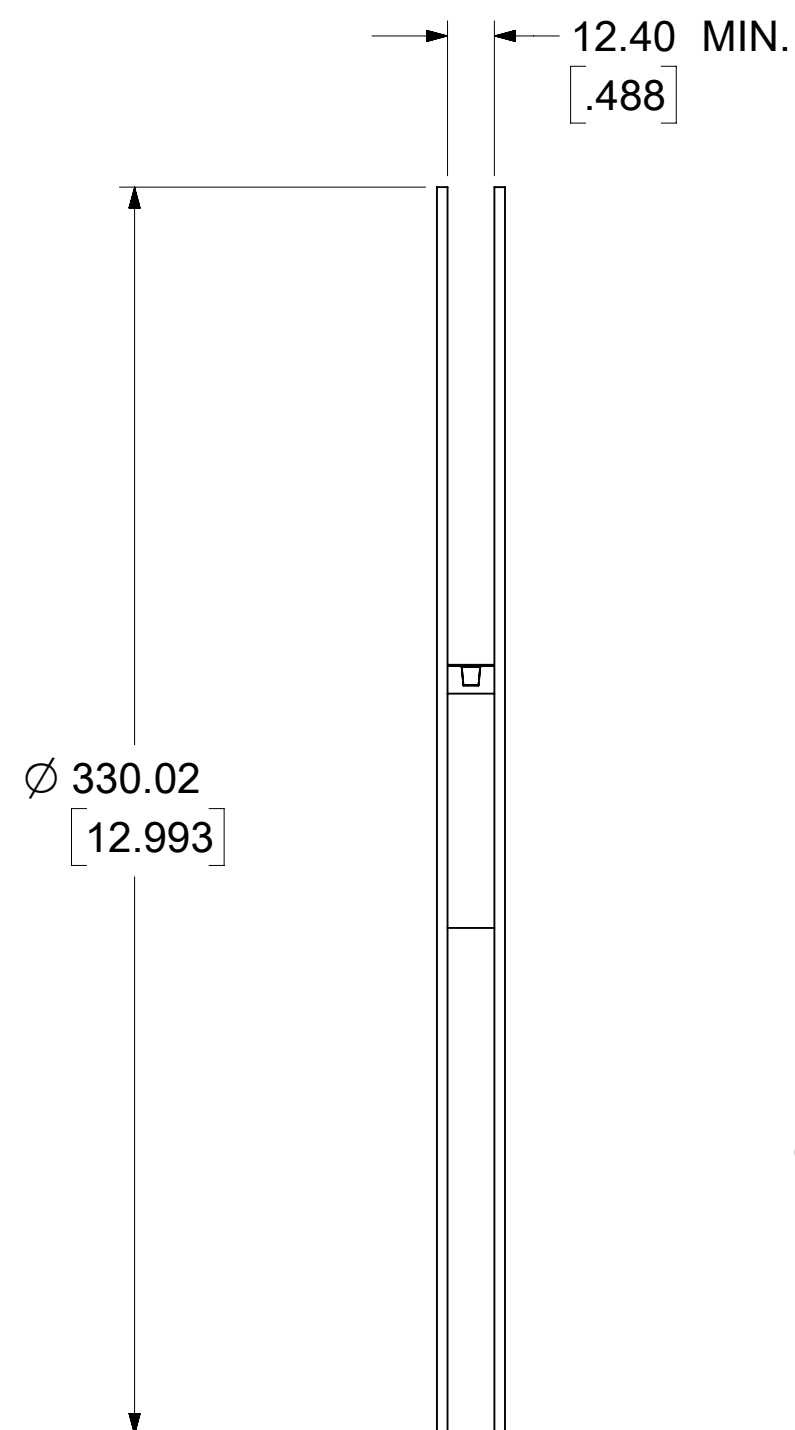
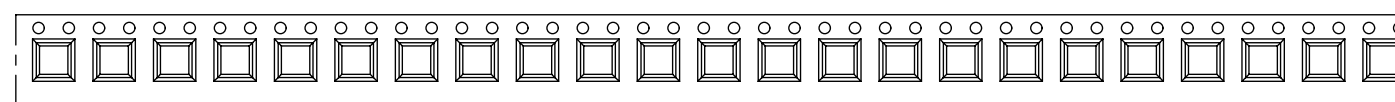
SECTION Z-Z



SECTION Y-Y

FUNCTIONAL SYMBOLS $\nabla_A = 0$ $\nabla_C = 0$ $\nabla_P = 0$ DIVISIONAL SYMBOLS	THIS DRAWING CONTAINS INFORMATION THAT IS PROPRIETARY TO MOLEX ELECTRONIC TECHNOLOGIES, LLC AND SHOULD NOT BE USED WITHOUT WRITTEN PERMISSION		CURRENT REV DESC:				
	DIMENSION UNITS	SCALE	EWR # 13872-A ADD KAPTON FOR -2063 EWR # 15132-A UPDATE PACKAGE DRAWING				
	MM/INCH	NTS	EC NO: 639888		DRWN: JSU18	2020/06/18	
	GENERAL TOLERANCES (UNLESS SPECIFIED)		DRWN: YCHENG		CHK'D: YCHENG	2022/06/06	
	ANGULAR TOL ± 2.0°		APPR: YCHENG		2022/06/06		
4 PLACES ±		INITIAL REVISION:		PRODUCT CUSTOMER DRAWING			
3 PLACES ±		DRWN: TFLAHERTY		DOCUMENT NUMBER	DOC TYPE		
2 PLACES ±		APPR: JWIENER		SD-73415-206	PSD		
1 PLACE ±				DOC PART	REVISION		
0 PLACES ±				001	B1		
DRAFT WHERE APPLICABLE MUST REMAIN WITHIN DIMENSIONS		THIRD ANGLE PROJECTION	DRAWING	SERIES	MATERIAL NUMBER	CUSTOMER	SHEET NUMBER
			C-SIZE	73415		GENERAL MARKET	2 OF 4

NOTE:
13" REEL SIZE FOR 1600 PIECES



LABEL
-PART NUMBER
-QUANTITY
-DATE
-PO NO.

ORDER QUANTITY
PACKED WITH 1600
CONNECTORS

25 EMPTY
UNITS MIN.

230 MIN
[9.055]

HANDLING DIRECTION
→

FUNCTIONAL SYMBOLS $\nabla_A = 0$ $\nabla_C = 0$ $\nabla_P = 0$	THIS DRAWING CONTAINS INFORMATION THAT IS PROPRIETARY TO MOLEX ELECTRONIC TECHNOLOGIES, LLC AND SHOULD NOT BE USED WITHOUT WRITTEN PERMISSION			
	DIMENSION UNITS	SCALE	CURRENT REV DESC:	
	MM/INCH	NTS	EWR # 13872-A ADD KAPTON FOR -2063 EWR # 15132-A UPDATE PACKAGE DRAWING	
	GENERAL TOLERANCES (UNLESS SPECIFIED)		EC NO: 639888	
ANGULAR TOL $\pm 2.0^\circ$		4 PLACES \pm	DRWN: JSU18	2020/06/18
DIVISIONAL SYMBOLS		3 PLACES \pm	CHK'D: YCHENG	2022/06/06
		2 PLACES \pm	APPR: YCHENG	2022/06/06
		1 PLACE \pm	INITIAL REVISION:	
		0 PLACES \pm	DRWN: TFLAHERTY	2006/02/09
DRAFT WHERE APPLICABLE MUST REMAIN WITHIN DIMENSIONS		THIRD ANGLE PROJECTION	DRAWING	SERIES
			C-SIZE	73415
DOCUMENT STATUS		DOC TYPE	DOC PART	REVISION
P1	RELEASE DATE	PSD	001	B1
2022/06/06	06:20:24	MATERIAL NUMBER		SHEET NUMBER
		GENERAL MARKET		3 OF 4

molex

MMCX JACK, VERTICAL
PCB/SMT 50 OHMS MMCX-J/PCB

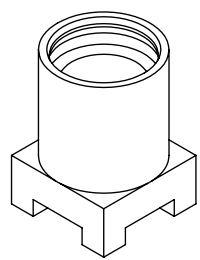
PRODUCT CUSTOMER DRAWING

SD-73415-206

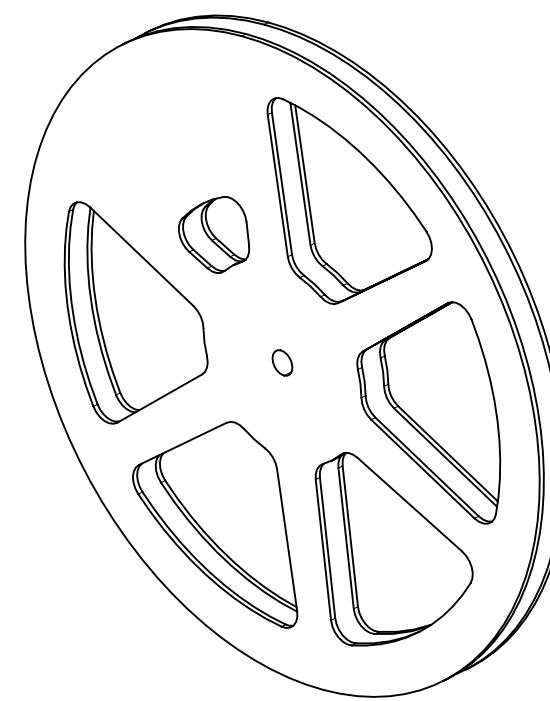
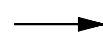
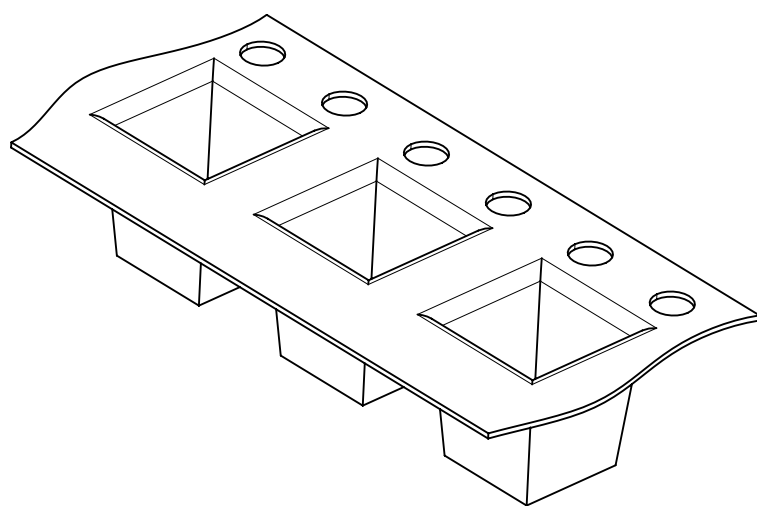
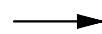
PSD 001 B1

GENERAL MARKET

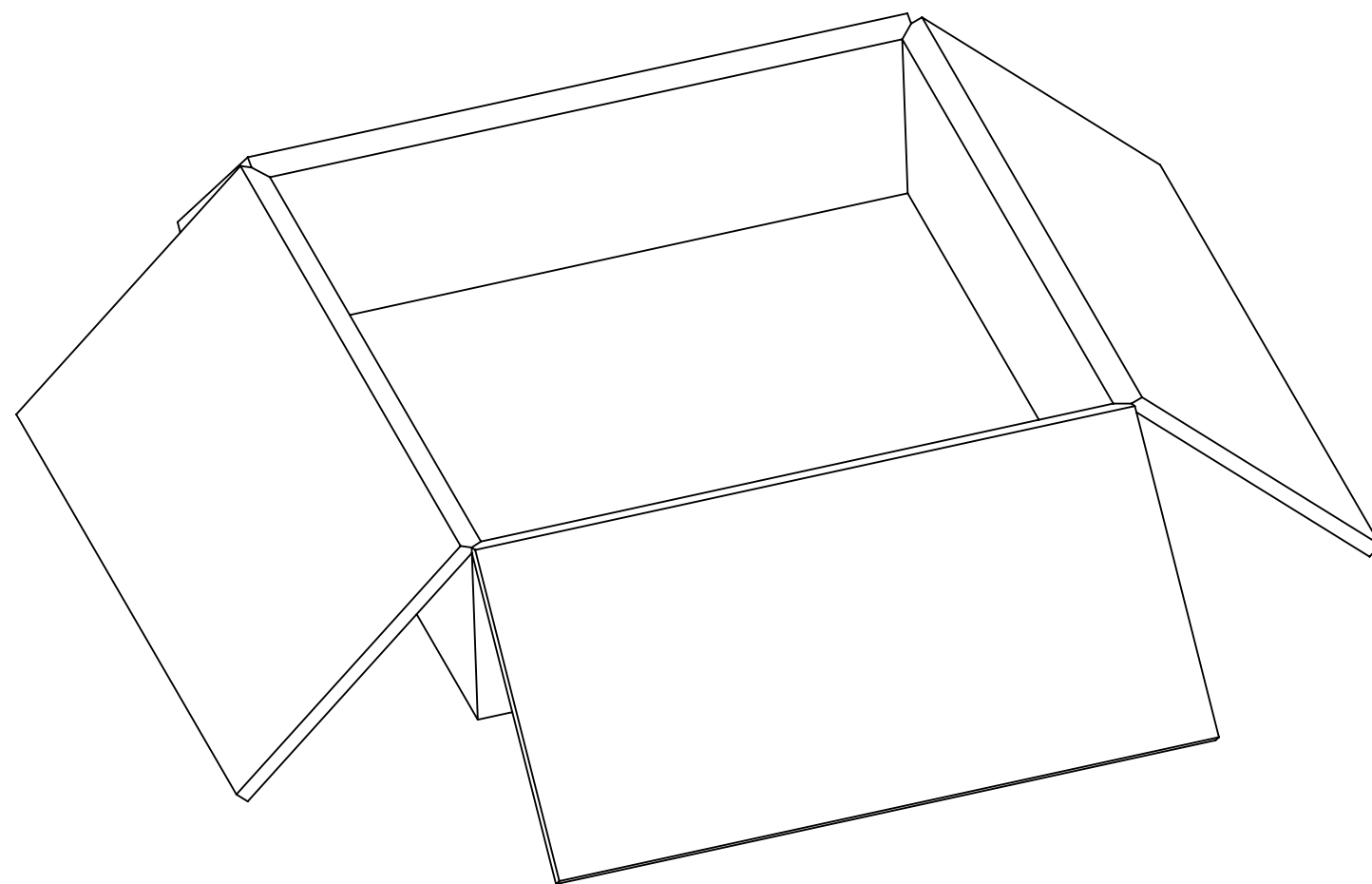
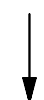
3 OF 4



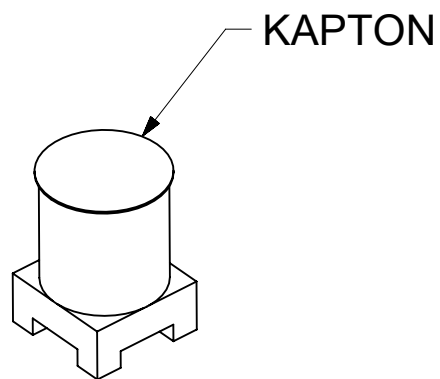
PART NO. 73415-2065



1600 SET PER 13" REEL



8000 CONNECTORS PER
OUTER CARTON BOX
339 X 339 X 100 REF.



PART NO 73415-2062
PART NO 73415-2063

FUNCTIONAL SYMBOLS	THIS DRAWING CONTAINS INFORMATION THAT IS PROPRIETARY TO MOLEX ELECTRONIC TECHNOLOGIES, LLC AND SHOULD NOT BE USED WITHOUT WRITTEN PERMISSION												
	DIMENSION UNITS	SCALE	CURRENT REV DESC:								molex		
$\frac{F}{A} = 0$	MM/INCH	NTS	EWR # 13872-A ADD KAPTON FOR -2063 EWR # 15132-A UPDATE PACKAGE DRAWING										
$\frac{F}{C} = 0$	GENERAL TOLERANCES (UNLESS SPECIFIED)		EC NO: 639888								MMCX JACK, VERTICAL PCB/SMT 50 OHMS MMCX-J/PCB		
$\frac{F}{P} = 0$	ANGULAR TOL $\pm 2.0^\circ$		DRWN: JSU18 2020/06/18										
DIVISIONAL SYMBOLS	4 PLACES \pm		CHK'D: YCHENG 2022/06/06								PRODUCT CUSTOMER DRAWING		
	3 PLACES \pm		APPR: YCHENG 2022/06/06										
	2 PLACES \pm		INITIAL REVISION:										
	1 PLACE \pm		DRWN: TFLAHERTY 2006/02/09										
0 PLACES \pm		APPR: JWIENER 2006/02/09								DOCUMENT NUMBER	DOC TYPE	DOC PART	REVISION
DRAFT WHERE APPLICABLE MUST REMAIN WITHIN DIMENSIONS		THIRD ANGLE PROJECTION		DRAWING	SERIES	MATERIAL NUMBER		CUSTOMER		SHEET NUMBER			
				C-SIZE	73415	SD-73415-206		GENERAL MARKET		4 OF 4			

DOCUMENT STATUS	P1	RELEASE DATE	2022/06/06	06:20:24
-----------------	----	--------------	------------	----------