

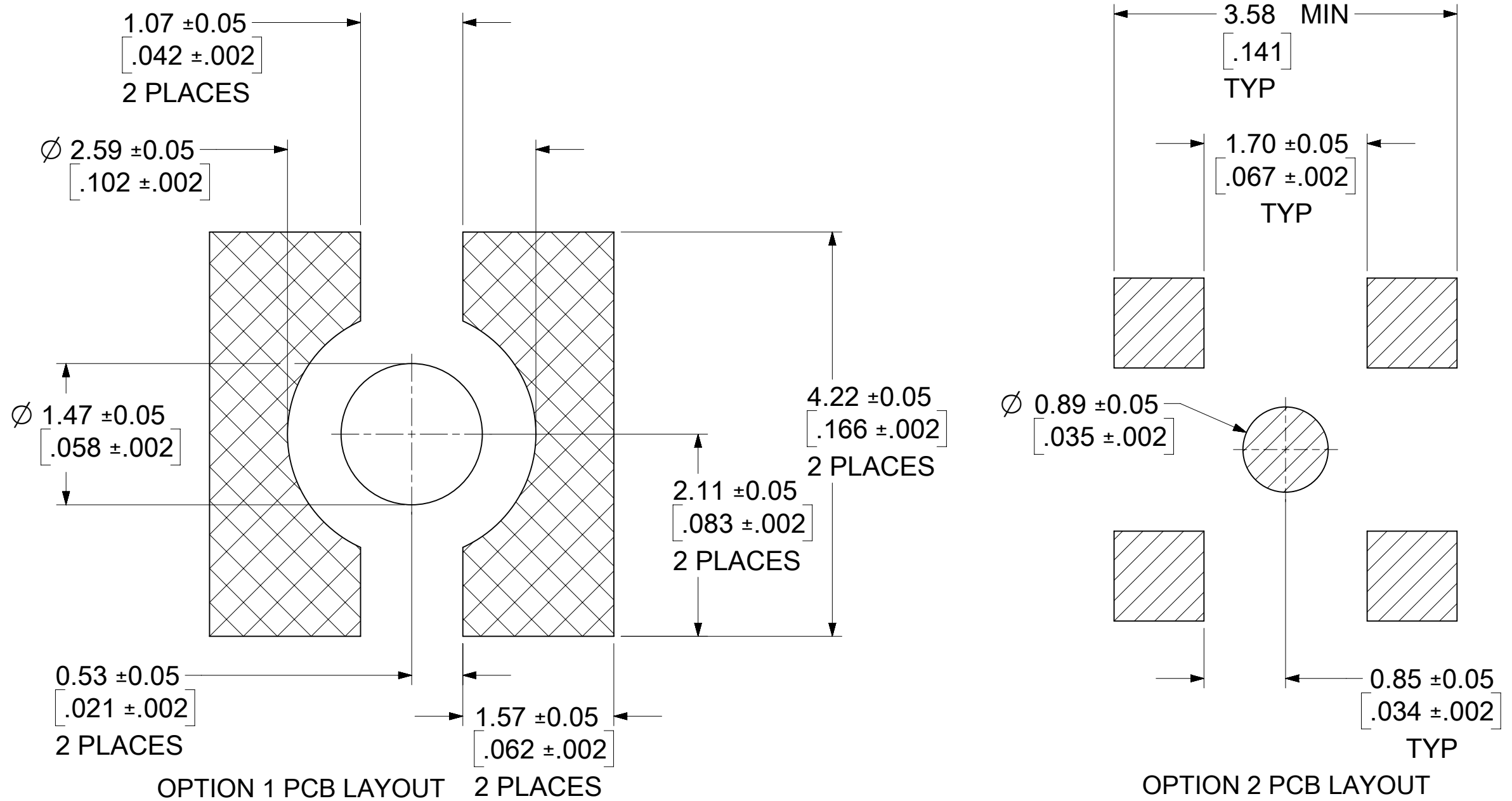
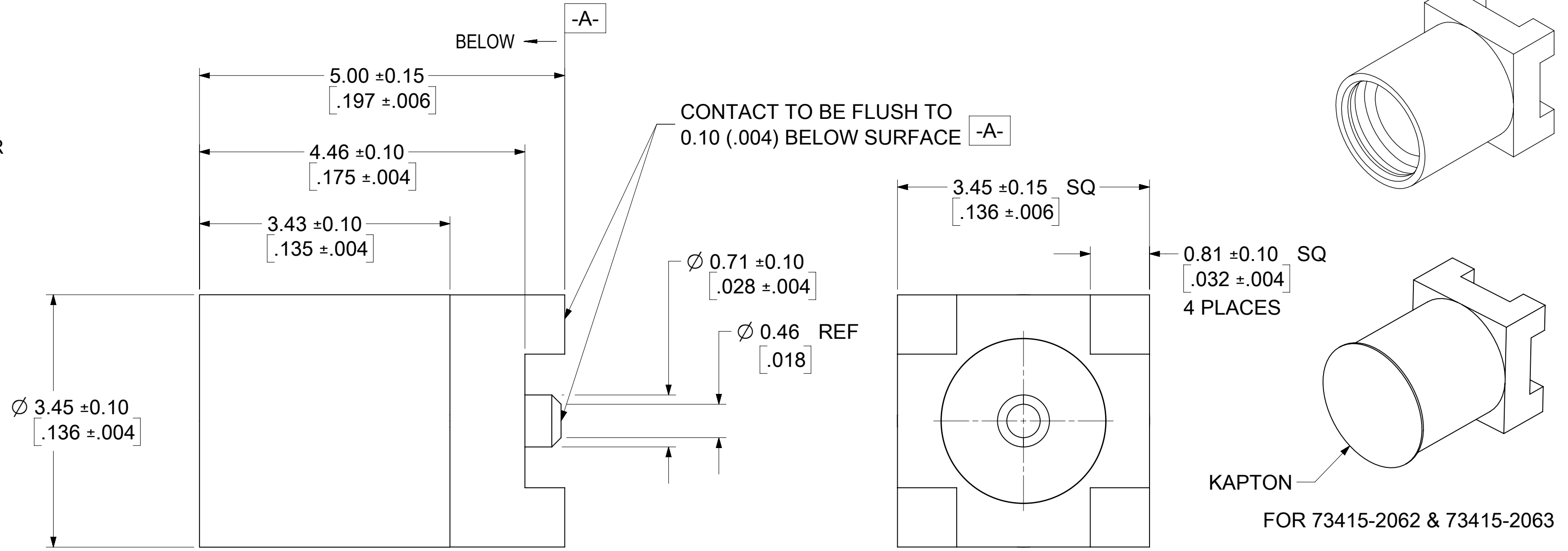
MATERIALS AND FINISHES

BODY BRASS
PLATED GOLD

CENTER CONTACT BERYLLIUM COPPER
PLATED GOLD

INSULATOR TEFLON

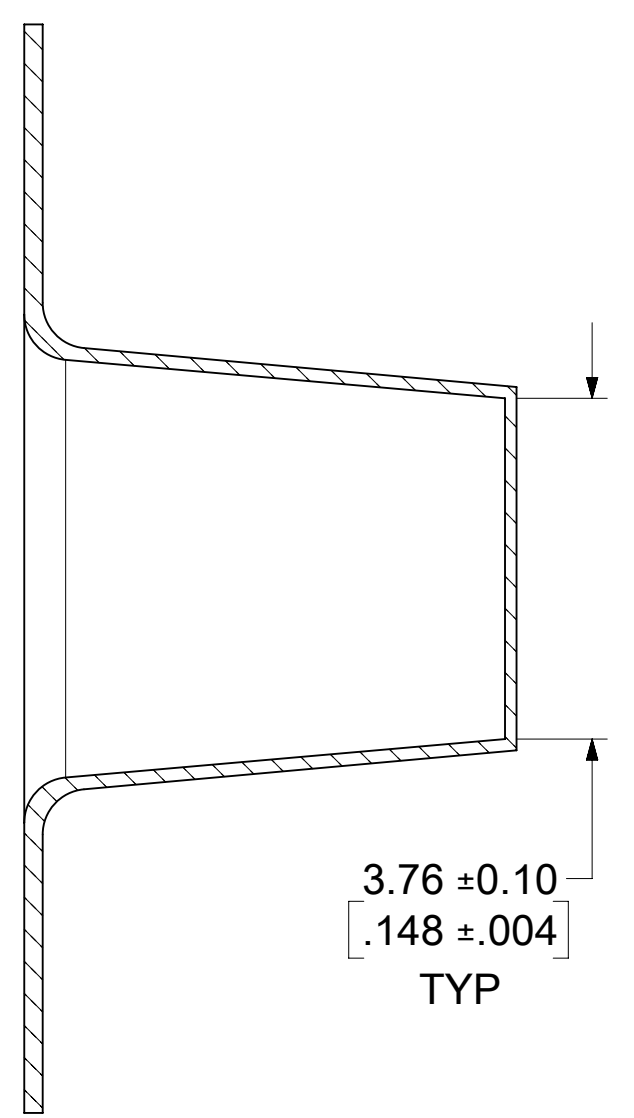
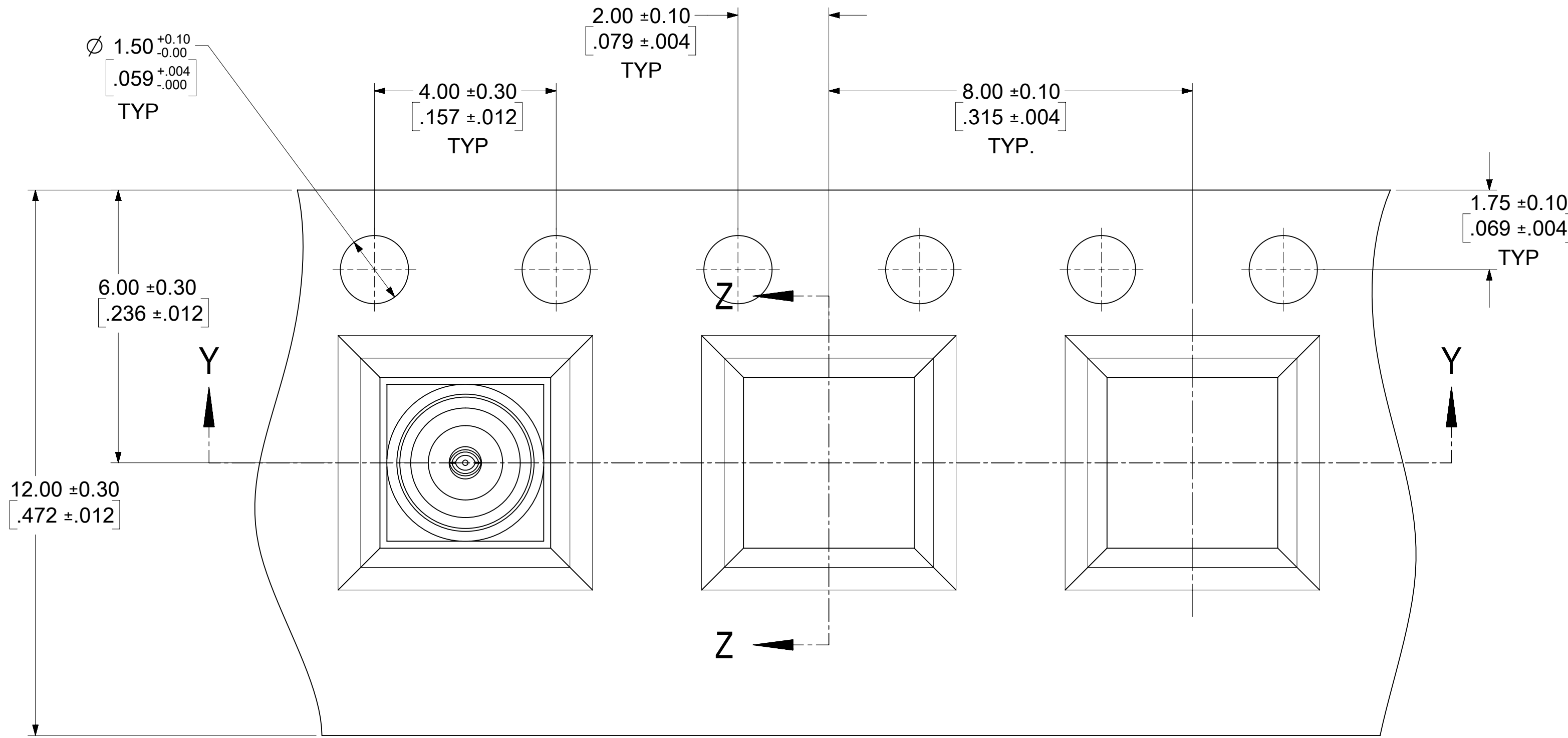
KAPTON
COLOR AMBER



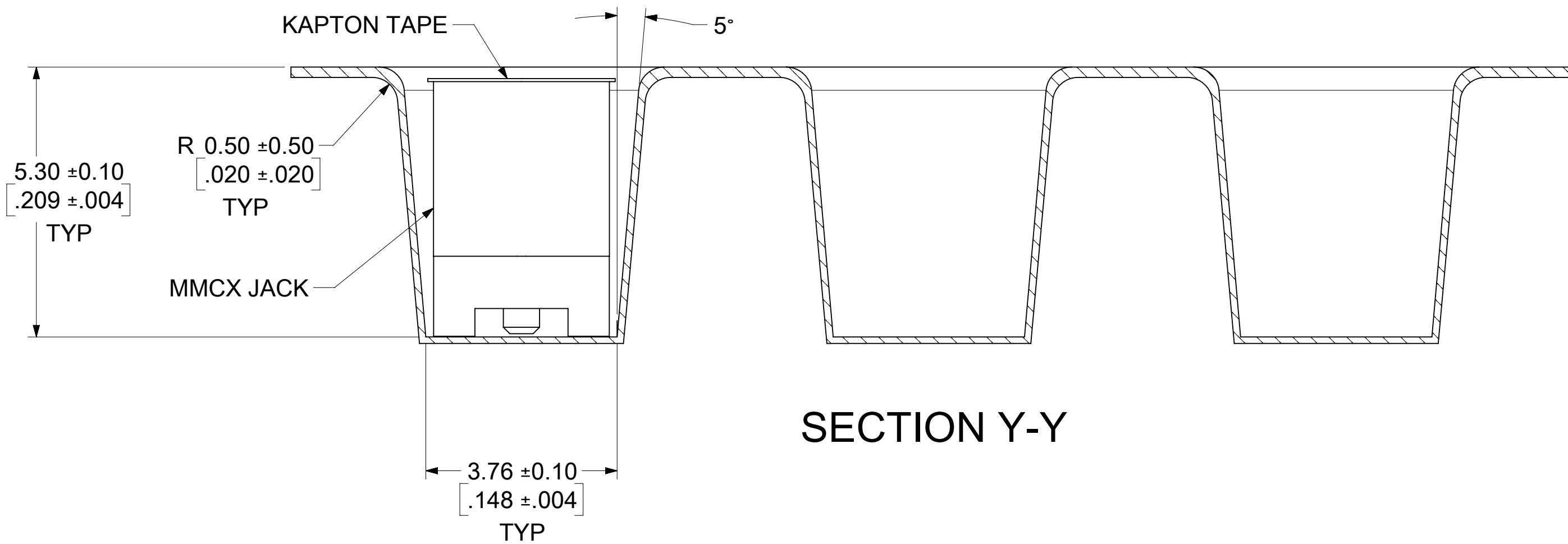
PS-89675-1920	ELECTRO/MECH PERFORM.
SPECIFICATION	DESCRIPTION

73415-2065	73415-2061 WITH TAPE & REEL WITHOUT KAPTON
73415-2064	73415-2061. ONE PER BAG
73415-2063	73415-2061 WITH TAPE & REEL/KAPTON
73415-2062	73415-2060 WITH TAPE & REEL/KAPTON
73415-2061	PER COMMERCIAL REQUIREMENTS, PACKING TRAY
73415-2060	PER MILITARY REQUIREMENTS, PACKING TRAY
PART NO.	PLATING

FUNCTIONAL SYMBOLS	THIS DRAWING CONTAINS INFORMATION THAT IS PROPRIETARY TO MOLEX ELECTRONIC TECHNOLOGIES, LLC AND SHOULD NOT BE USED WITHOUT WRITTEN PERMISSION		CURRENT REV DESC: EWR # 13872-A ADD KAPTON FOR -2063 EWR # 15132-A UPDATE PACKAGE DRAWING ADDED Ø0.46 REF DIMENSION		molex		
	DIMENSION UNITS	SCALE					
FA = 0	MM/INCH	NTS	EC NO: 639888		2020/06/18		
EA = 0	GENERAL TOLERANCES (UNLESS SPECIFIED)		DRWN: JSU18		2022/06/06		
EP = 0	ANGULAR TOL ± 2.0°		CHK'D: YCHENG		2022/06/06		
DIVISIONAL SYMBOLS	4 PLACES ±		APPR: YCHENG		2022/06/06		
	3 PLACES ±		INITIAL REVISION:		2006/02/09		
2 PLACES ±		DRWN: TFLAHERTY		2006/02/09			
1 PLACE ±		APPR: JWIENER		2006/02/09			
0 PLACES ±		DRAFT WHERE APPLICABLE MUST REMAIN WITHIN DIMENSIONS		THIRD ANGLE PROJECTION		DRAWING SERIES	
		C-SIZE		73415		DOCUMENT NUMBER	
						SD-73415-206	
						DOC TYPE DOC PART REVISION	
						PSD 001 B1	
						MATERIAL NUMBER CUSTOMER SHEET NUMBER	
						GENERAL MARKET 1 OF 4	



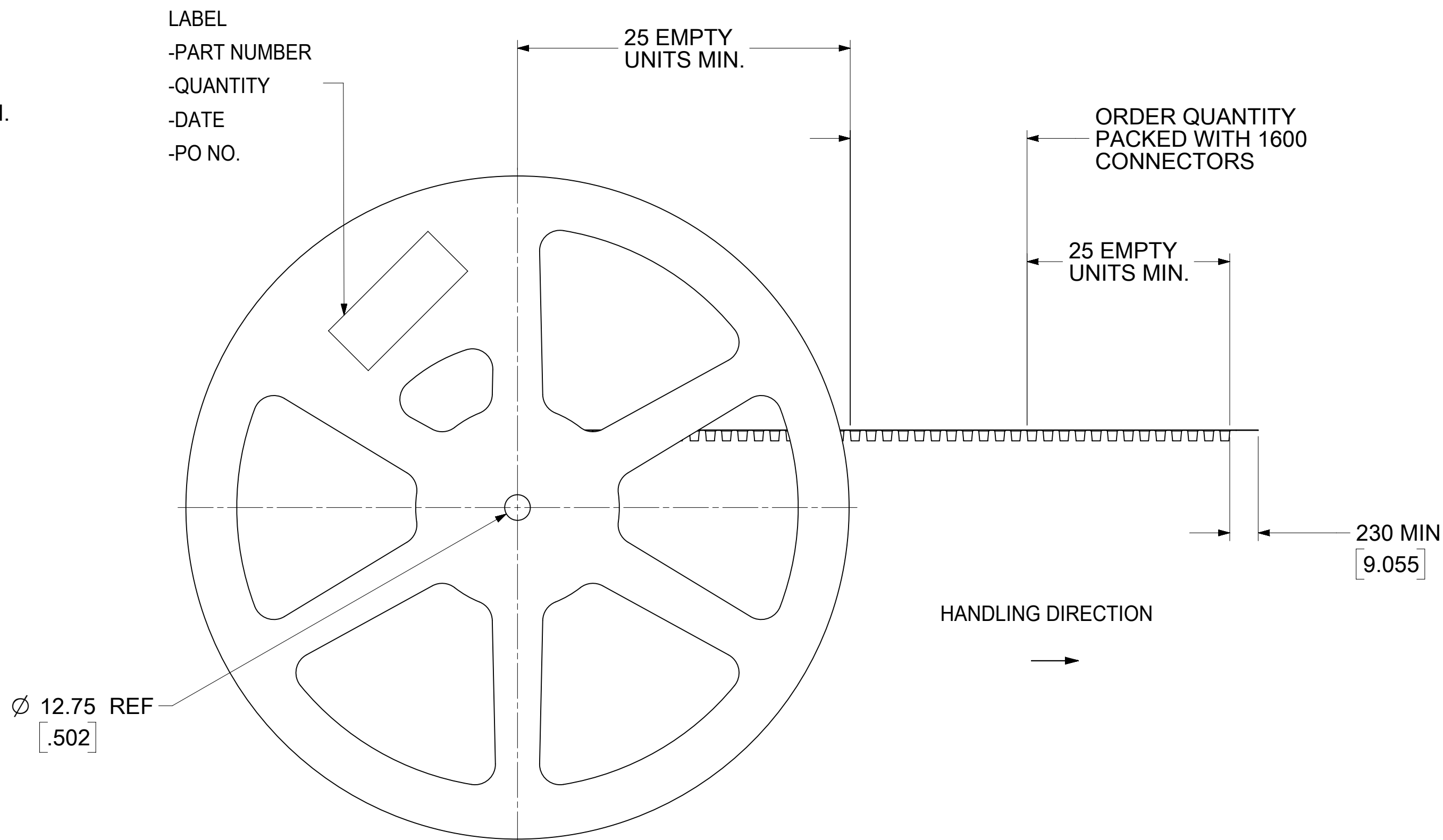
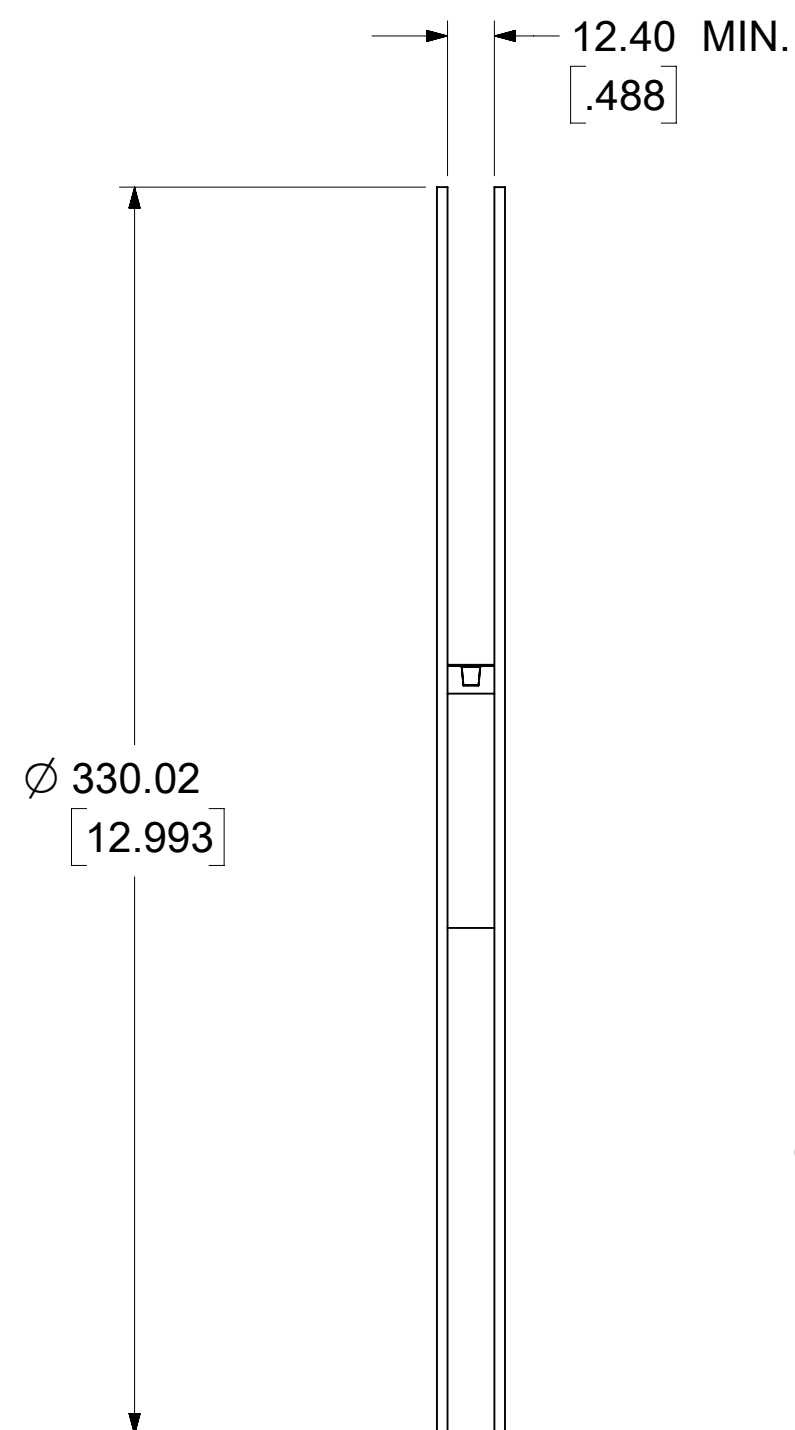
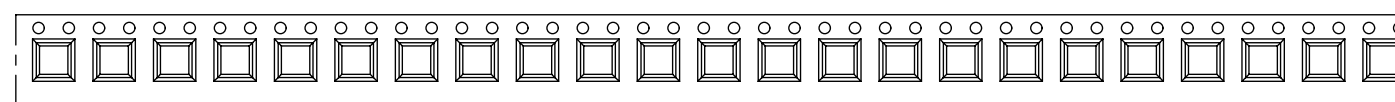
SECTION Z-Z



SECTION Y-Y

FUNCTIONAL SYMBOLS $\nabla_A = 0$ $\nabla_C = 0$ $\nabla_P = 0$ DIVISIONAL SYMBOLS	THIS DRAWING CONTAINS INFORMATION THAT IS PROPRIETARY TO MOLEX ELECTRONIC TECHNOLOGIES, LLC AND SHOULD NOT BE USED WITHOUT WRITTEN PERMISSION		CURRENT REV DESC:						
	DIMENSION UNITS	SCALE	EWR # 13872-A ADD KAPTON FOR -2063 EWR # 15132-A UPDATE PACKAGE DRAWING						
	MM/INCH	NTS	EC NO: 639888		DOCUMENT NUMBER	DOC TYPE	DOC PART	REVISION	
	GENERAL TOLERANCES (UNLESS SPECIFIED)		DRWN: JSU18 2020/06/18		SD-73415-206	PSD	001	B1	
	ANGULAR TOL $\pm 2.0^\circ$		CHK'D: YCHENG 2022/06/06		PRODUCT CUSTOMER DRAWING				
4 PLACES \pm		APPR: YCHENG 2022/06/06		INITIAL REVISION:		MATERIAL NUMBER		CUSTOMER	SHEET NUMBER
3 PLACES \pm		DRWN: TFLAHERTY 2006/02/09		DRWN: TFLAHERTY 2006/02/09		GENERAL MARKET		2 OF 4	
2 PLACES \pm		APPR: JWIENER		DRAWING		SERIES			
1 PLACE \pm		THIRD ANGLE PROJECTION		C-SIZE		73415			
0 PLACES \pm		DRAFT WHERE APPLICABLE MUST REMAIN WITHIN DIMENSIONS							

NOTE:
13" REEL SIZE FOR 1600 PIECES



LABEL
-PART NUMBER
-QUANTITY
-DATE
-PO NO.

ORDER QUANTITY
PACKED WITH 1600
CONNECTORS

25 EMPTY
UNITS MIN.

230 MIN
[9.055]

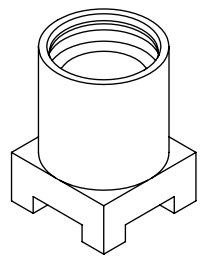
HANDLING DIRECTION
→

FUNCTIONAL SYMBOLS $\nabla_A = 0$ $\nabla_C = 0$ $\nabla_P = 0$	THIS DRAWING CONTAINS INFORMATION THAT IS PROPRIETARY TO MOLEX ELECTRONIC TECHNOLOGIES, LLC AND SHOULD NOT BE USED WITHOUT WRITTEN PERMISSION			
	DIMENSION UNITS	SCALE	CURRENT REV DESC:	
	MM/INCH	NTS	EWR # 13872-A ADD KAPTON FOR -2063 EWR # 15132-A UPDATE PACKAGE DRAWING	
	GENERAL TOLERANCES (UNLESS SPECIFIED)		EC NO: 639888	
ANGULAR TOL ± 2.0°		4 PLACES ±	DRWN: JSU18	2020/06/18
DIVISIONAL SYMBOLS		3 PLACES ±	CHK'D: YCHENG	2022/06/06
		2 PLACES ±	APPR: YCHENG	2022/06/06
		1 PLACE ±	INITIAL REVISION:	
		0 PLACES ±	DRWN: TFLAHERTY	2006/02/09
DRAFT WHERE APPLICABLE MUST REMAIN WITHIN DIMENSIONS		THIRD ANGLE PROJECTION	DRAWING	SERIES
			C-SIZE	73415
DOCUMENT STATUS		DOCUMENT NUMBER		DOC TYPE
P1	RELEASE DATE	SD-73415-206		PSD
2022/06/06	06:20:24			001
		CUSTOMER		REVISION
		GENERAL MARKET		B1
		SHEET NUMBER		
		3 OF 4		

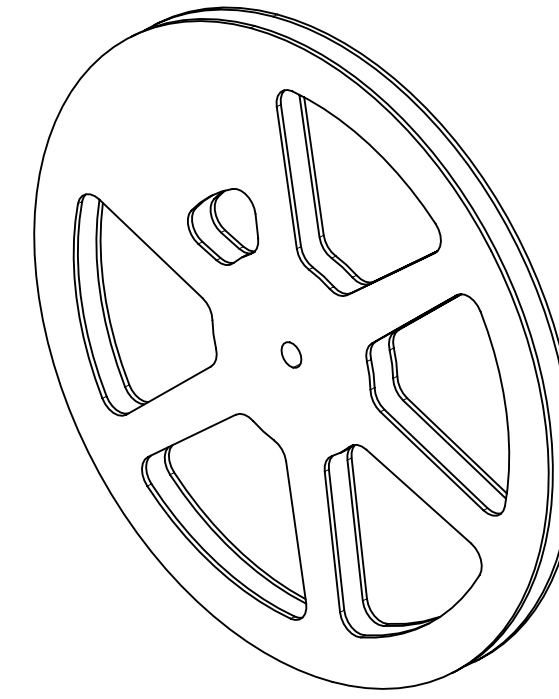
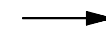
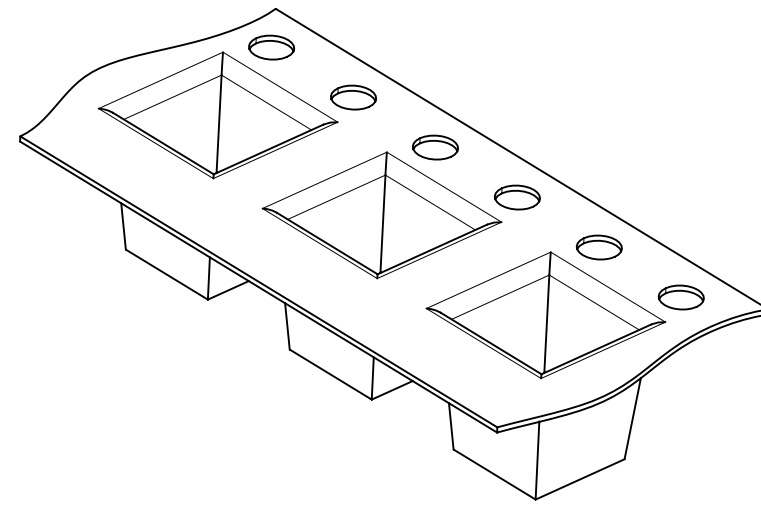
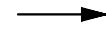
molex

MMCX JACK, VERTICAL
PCB/SMT 50 OHMS MMCX-J/PCB

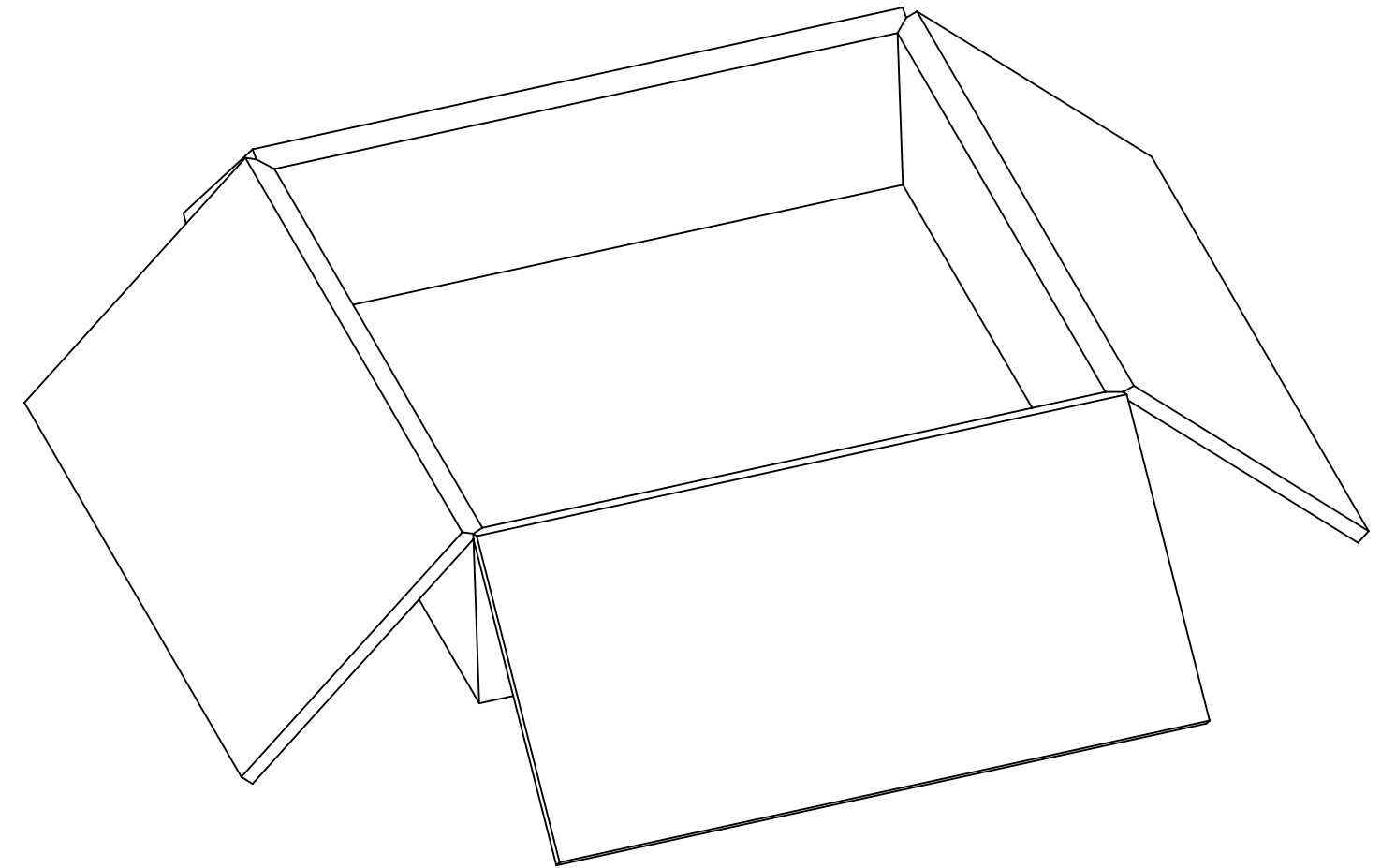
PRODUCT CUSTOMER DRAWING



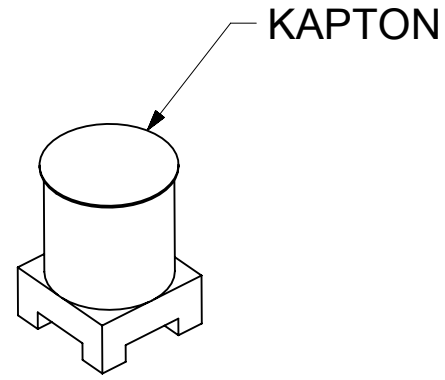
PART NO. 73415-2065




1600 SET PER 13" REEL



8000 CONNECTORS PER
OUTER CARTON BOX
339 X 339 X 100 REF.



PART NO 73415-2062
PART NO 73415-2063

FUNCTIONAL SYMBOLS	THIS DRAWING CONTAINS INFORMATION THAT IS PROPRIETARY TO MOLEX ELECTRONIC TECHNOLOGIES, LLC AND SHOULD NOT BE USED WITHOUT WRITTEN PERMISSION											
	$\nabla_A = 0$ $\nabla_C = 0$ $\nabla_P = 0$	DIMENSION UNITS	SCALE	CURRENT REV DESC:							 MMCX JACK, VERTICAL PCB/SMT 50 OHMS MMCX-J/PCB	
$\nabla_A = 0$ $\nabla_C = 0$ $\nabla_P = 0$	MM/INCH	NTS	EWR # 13872-A ADD KAPTON FOR -2063 EWR # 15132-A UPDATE PACKAGE DRAWING									
DIVISIONAL SYMBOLS	GENERAL TOLERANCES (UNLESS SPECIFIED)		ANGULAR TOL $\pm 2.0^\circ$		EC NO: 639888		DRWN: JSU18		2020/06/18		PRODUCT CUSTOMER DRAWING	
	4 PLACES \pm		3 PLACES \pm		2 PLACES \pm		1 PLACE \pm		0 PLACES \pm		INITIAL REVISION:	
	3 PLACES \pm		2 PLACES \pm		1 PLACE \pm		0 PLACES \pm		DRAFT WHERE APPLICABLE MUST REMAIN WITHIN DIMENSIONS		THIRD ANGLE PROJECTION	
	3 PLACES \pm		2 PLACES \pm		1 PLACE \pm		0 PLACES \pm		DRAWING		SERIES	
	3 PLACES \pm		2 PLACES \pm		1 PLACE \pm		0 PLACES \pm		C-SIZE		73415	
	3 PLACES \pm		2 PLACES \pm		1 PLACE \pm		0 PLACES \pm		MATERIAL NUMBER		CUSTOMER	
	3 PLACES \pm		2 PLACES \pm		1 PLACE \pm		0 PLACES \pm		SD-73415-206		GENERAL MARKET	
	3 PLACES \pm		2 PLACES \pm		1 PLACE \pm		0 PLACES \pm		DOCUMENT NUMBER		DOC TYPE DOC PART REVISION	
	3 PLACES \pm		2 PLACES \pm		1 PLACE \pm		0 PLACES \pm		PSD		001 B1	
	3 PLACES \pm		2 PLACES \pm		1 PLACE \pm		0 PLACES \pm		SHEET NUMBER		4 OF 4	

DOCUMENT STATUS	P1	RELEASE DATE	2022/06/06	06:20:24
-----------------	----	--------------	------------	----------