

MATERIALS AND FINISHES

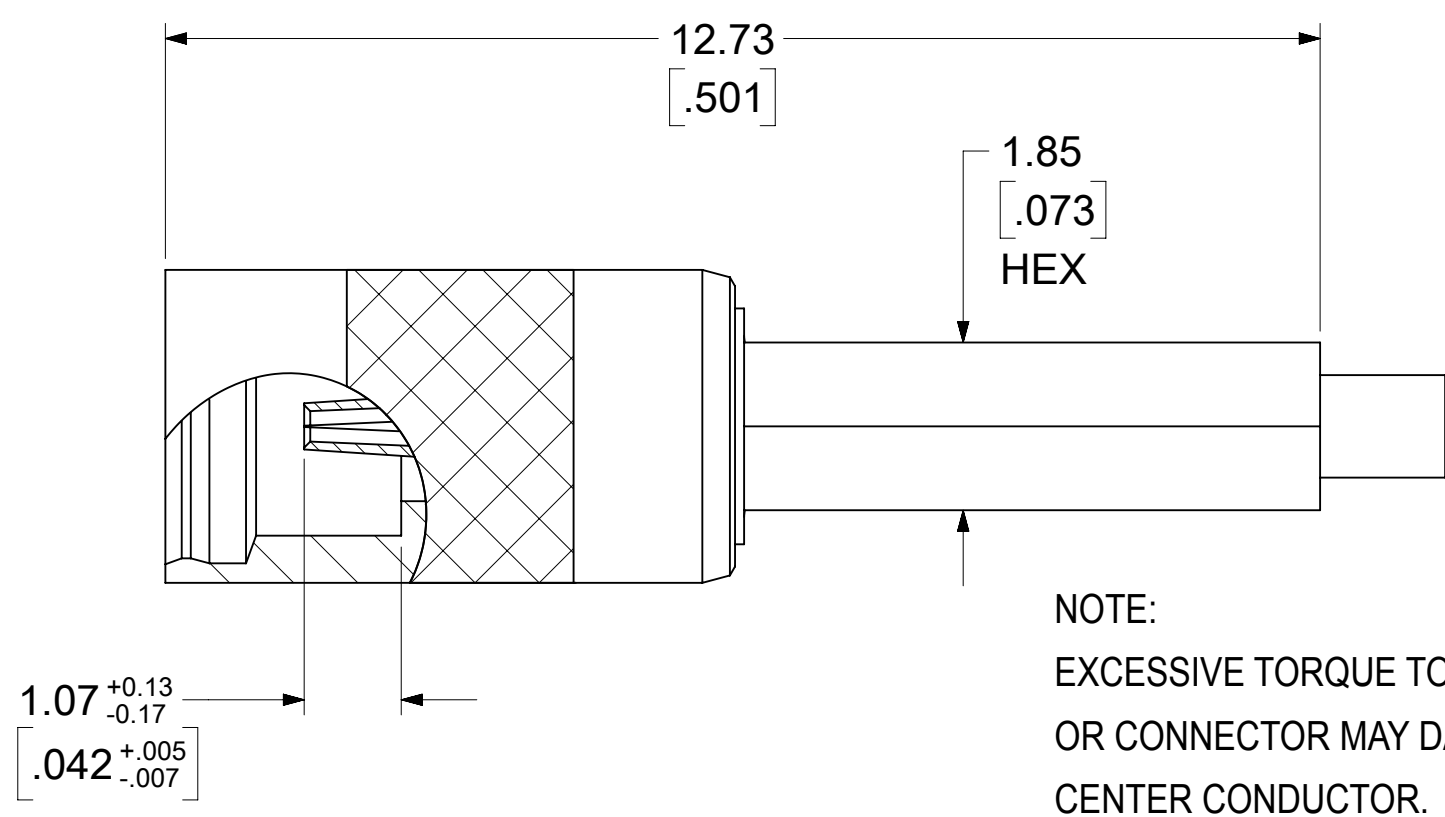
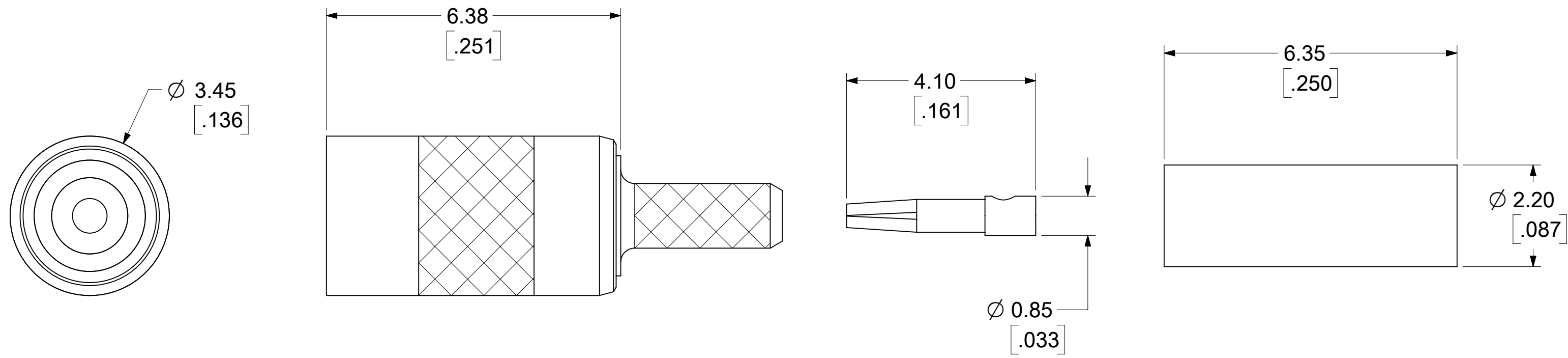
BODY: BRASS  
PLATED GOLD

INSULATOR: TEFLON

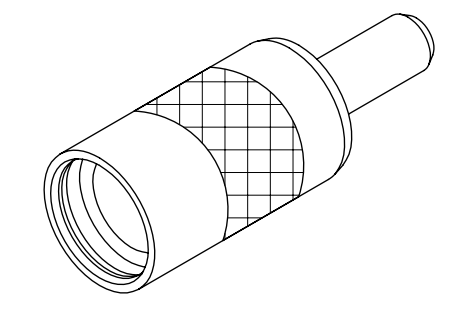
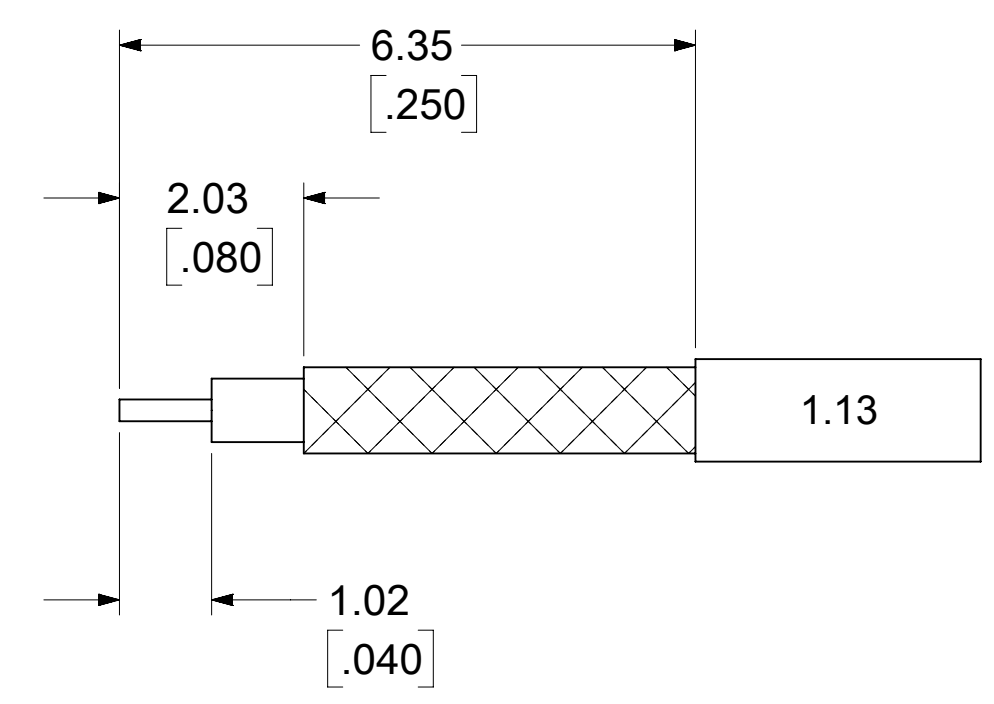
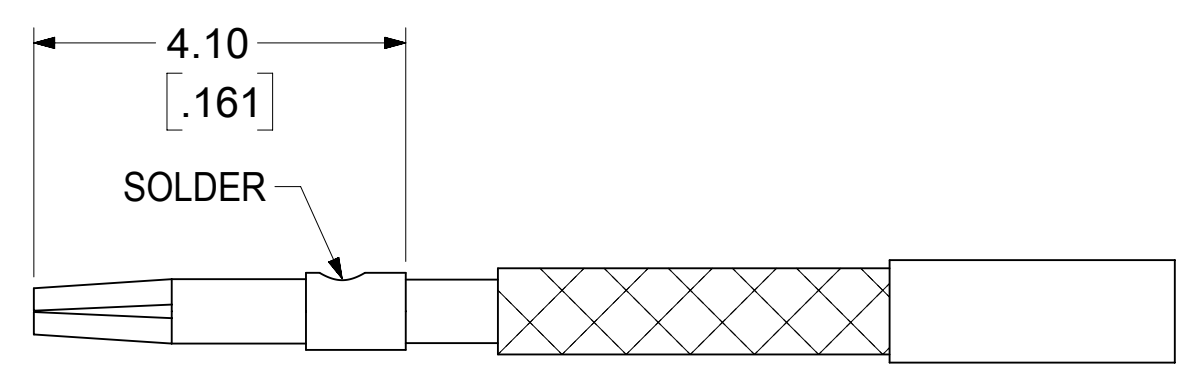
CONTACT: BERYLLIUM COPPER  
PLATED GOLD

CRIMP TUBE: BRASS  
SEE TABLE

MATING FORCE: 3.4 LBS MAX  
UN-MATING FORCE: 1.0-3.0 LBS



NOTE:  
EXCESSIVE TORQUE TO CABLE  
OR CONNECTOR MAY DAMAGE CABLE  
CENTER CONDUCTOR.



73415-3412	GOLD	1 PIECE 73415-3410 IN SINGLE BAG WITH LABEL
73415-3411	BLACK ZINC	BAG (200 PCS)
73415-3410	GOLD	BAG (500 PCS)
PART NO.	FINISH	PACKAGING

AS-73597-063	ASSEMBLY INSTRUCTION
PS-89675-1920	PRODUCT SPECIFICATION
CECC-22-340	INTERFACE
SPECIFICATION	DESCRIPTION

FUNCTIONAL SYMBOLS	THIS DRAWING CONTAINS INFORMATION THAT IS PROPRIETARY TO MOLEX ELECTRONIC TECHNOLOGIES, LLC AND SHOULD NOT BE USED WITHOUT WRITTEN PERMISSION		CURRENT REV DESC:						
	DIMENSION UNITS	SCALE							EWR # 15223-A ADDED ASSEMBLY INSTRUCTION NO.
$\frac{E}{A} = 0$	MM/INCH	NTS	EC NO: 708217		FOR 1.13 CABLE MMCX-JC, EWR-4677 PRODUCT CUSTOMER DRAWING				
$\frac{E}{C} = 0$	GENERAL TOLERANCES (UNLESS SPECIFIED)		DRWN: JSU18 2022/05/26						
$\frac{E}{P} = 0$	ANGULAR TOL $\pm 2.0^\circ$		CHK'D: YCHENG 2022/05/27		DOCUMENT NUMBER: SD-73415-341   DOC TYPE: PSD   DOC PART: 001   REVISION: K4				
DIVISIONAL SYMBOLS		4 PLACES $\pm$		APPR: YCHENG 2022/05/27					
		3 PLACES $\pm$		INITIAL REVISION:		MATERIAL NUMBER: GENERAL MARKET   CUSTOMER: GENERAL MARKET   SHEET NUMBER: 1 OF 1			
		2 PLACES $\pm$		DRWN: RFC_PLMIMP 2017/12/28					
		1 PLACE $\pm$		APPR: JWIENER 2011/04/15		DRAWING: C-SIZE   SERIES: 73415			
		0 PLACES $\pm$		THIRD ANGLE PROJECTION					
DRAFT WHERE APPLICABLE MUST REMAIN WITHIN DIMENSIONS		THIRD ANGLE PROJECTION		DRAWING					