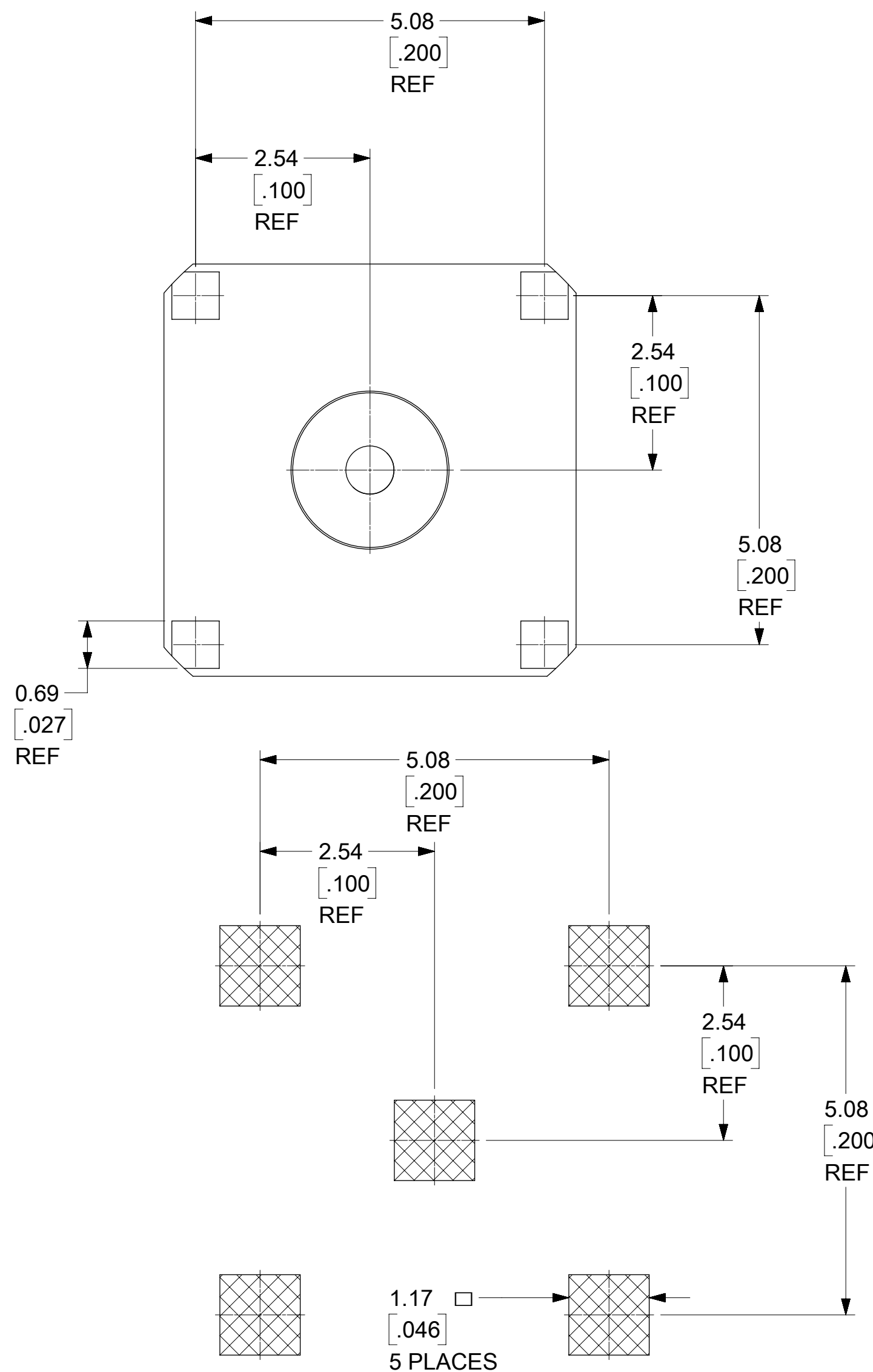
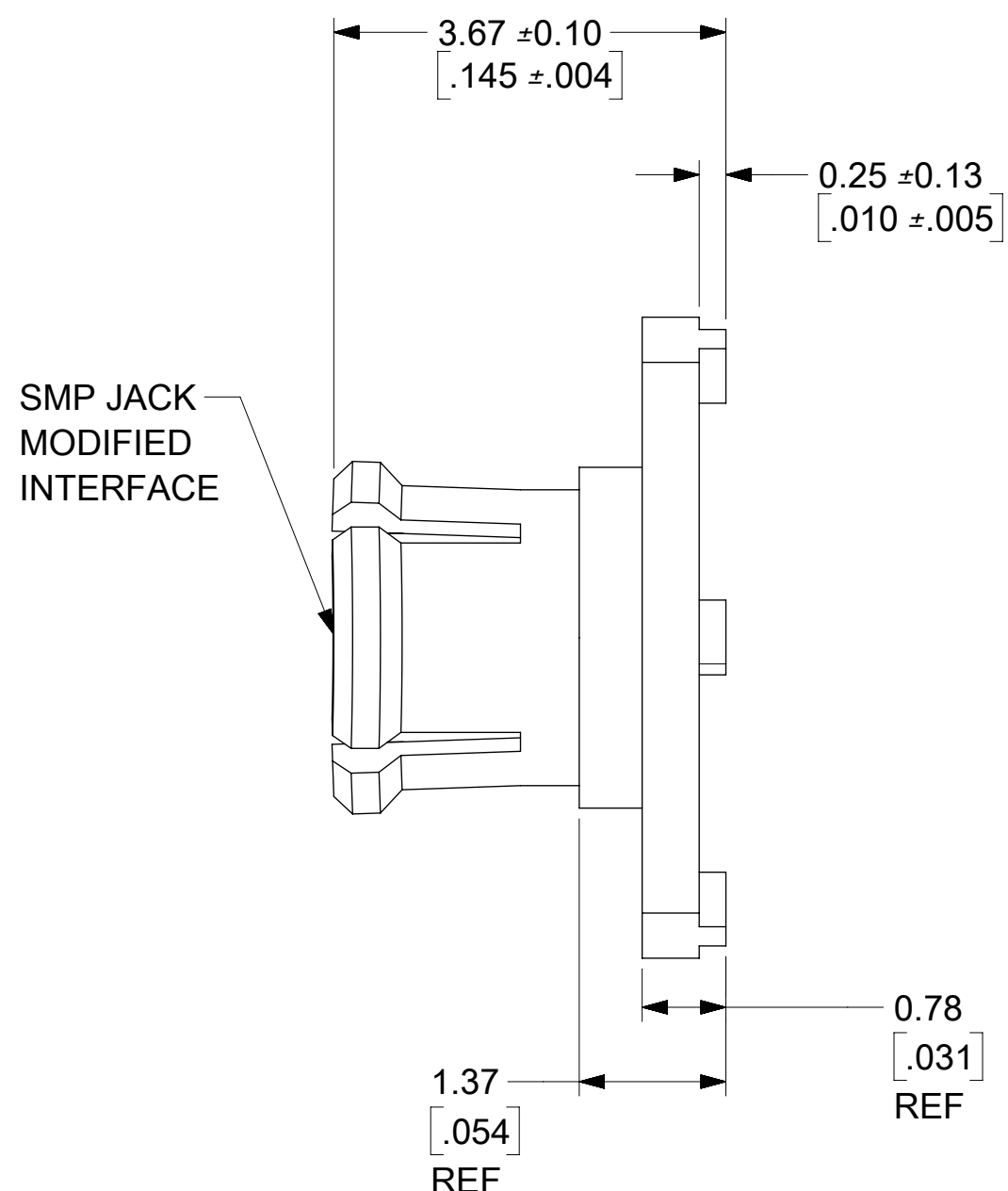
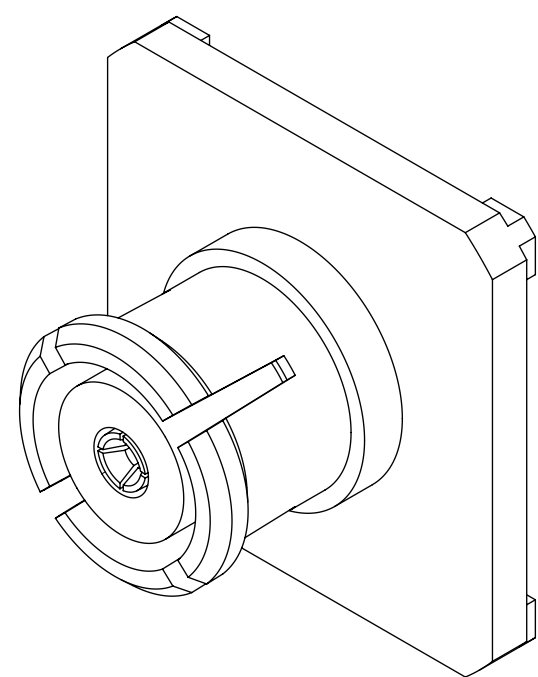
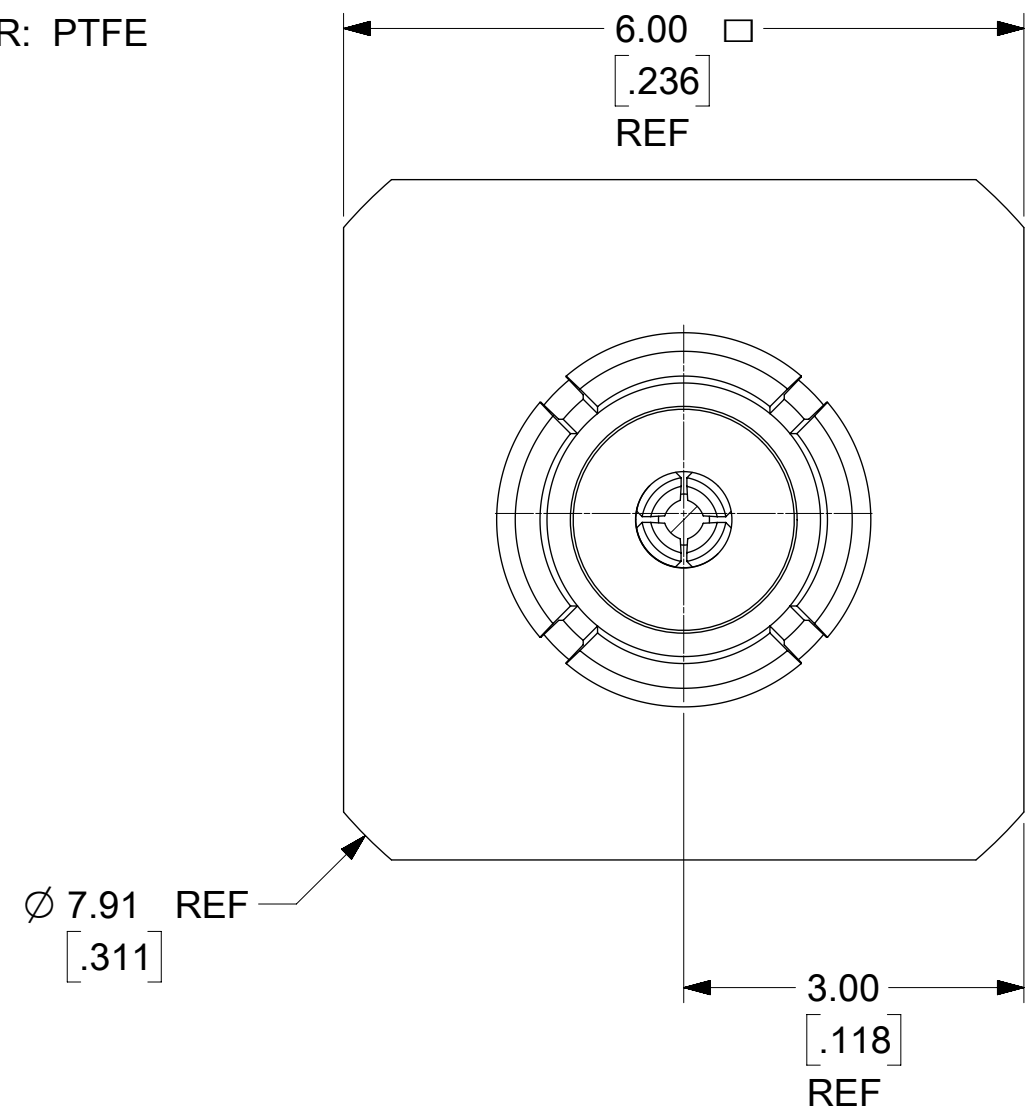


MATERIALS AND FINISHES:

BODY: BERYLLIUM COPPER  
 PLATED: GOLD (10 μ-in MIN) OVER  
 NICKEL (100 μ-in MIN)

CONTACT: BERYLLIUM COPPER  
 PLATED: GOLD (30 μ-in MIN) OVER  
 NICKEL (100 μ-in MIN)

INSULATOR: PTFE



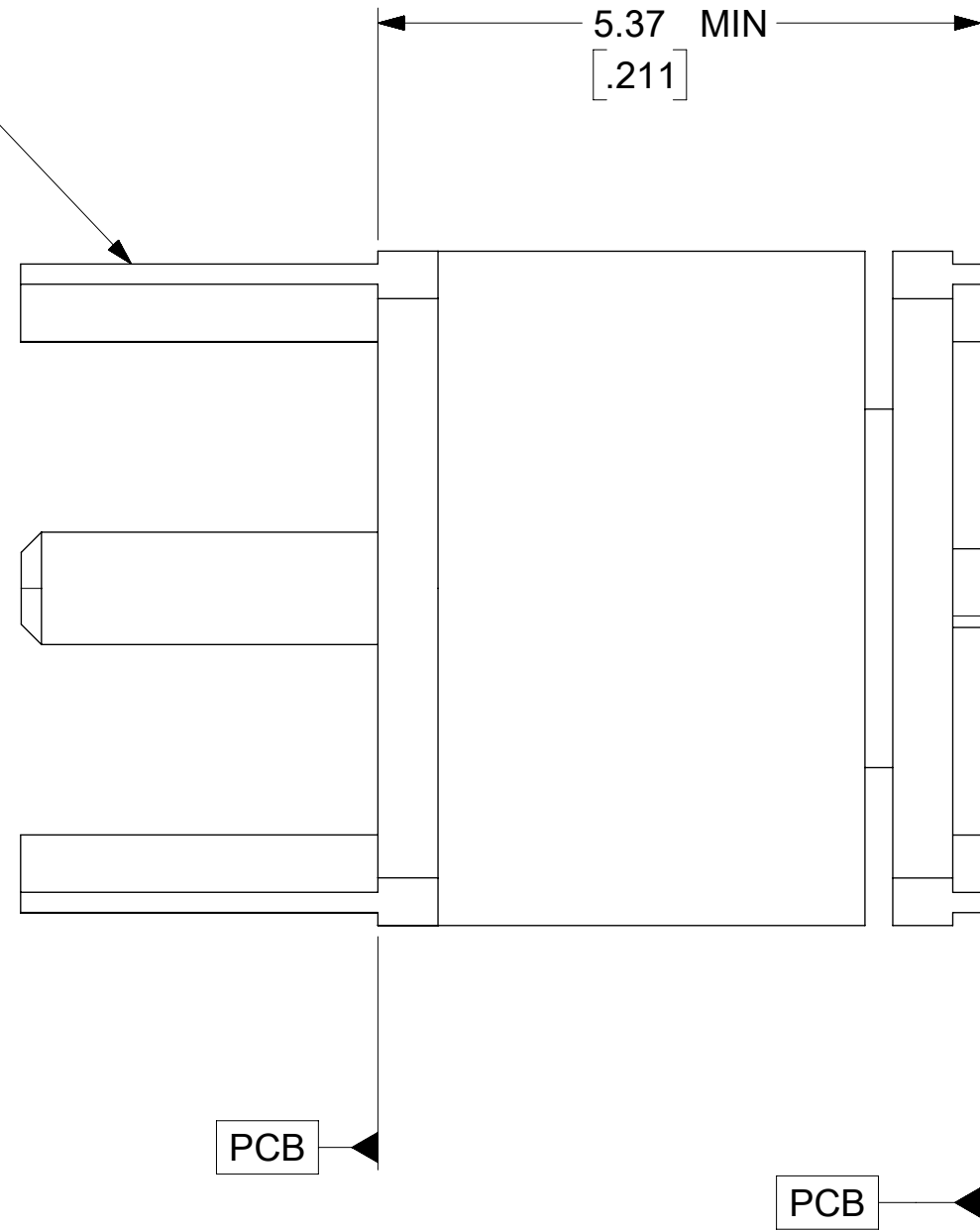
PART # 73415-5300

RECOMMENDED PCB LAYOUT

SYMBOLS	THIS DRAWING CONTAINS INFORMATION THAT IS PROPRIETARY TO MOLEX ELECTRONIC TECHNOLOGIES, LLC AND SHOULD NOT BE USED WITHOUT WRITTEN PERMISSION			
	DIMENSION UNITS		SCALE	
▽ = 0	MM/IN	NTS		CURRENT REV DESC:
▽ = 0	GENERAL TOLERANCES (UNLESS SPECIFIED)			
▽ = 0		MM	INCH	EC NO: 625563
▽ = 0	4 PLACES ±	±	±	DRWN: SSSHAH 2019/09/20
▽ = 0	3 PLACES ±	±	±	CHK'D: BSHAH 2019/10/15
▽ = 0	2 PLACES ±	±	±	APPR: AROBERTSON 2019/10/15
▽ = 0	1 PLACE ±	±	±	INITIAL REVISION:
▽ = 0	0 PLACES ±	±	±	DRWN: SSHAH 2005/04/19
▽ = 0	ANGULAR TOL ± 2.0 °			APPR: JWIENER 2005/04/19
▽ = 0	DRAFT WHERE APPLICABLE MUST REMAIN WITHIN DIMENSIONS	THIRD ANGLE PROJECTION		DRAWING SERIES
▽ = 0		C-SIZE		73415
DOCUMENT STATUS		P1	RELEASE DATE	2019/10/15 19:08:27
DOCUMENT NUMBER		DOC TYPE		DOC PART
SD-73415-530		PSD		001
MATERIAL NUMBER		CUSTOMER		SHEET NUMBER
734155300				1 OF 2

73415-5300 MATED TO 73415-5310

73415-5310  
(NOT INCLUDED)



<b>SYMBOLS</b> ▽ = 0 ▽ = 0 ▽ = 0 ▽ = 0 ▽ = 0 ▽ = 0 ▽ = 0 ▽ = 0 ▽ = 0 ▽ = 0	THIS DRAWING CONTAINS INFORMATION THAT IS PROPRIETARY TO MOLEX ELECTRONIC TECHNOLOGIES, LLC AND SHOULD NOT BE USED WITHOUT WRITTEN PERMISSION	CURRENT REV DESC:					
	DIMENSION UNITS	SCALE	SMP JACK MODIFIED INTERF 50 OHM VERT PCB SMT SMP-J/PCB, EWR-2735				
	mm	NTS	EC NO: 625563			DOCUMENT NUMBER	
	GENERAL TOLERANCES (UNLESS SPECIFIED)		DRWN: SSSHAH 2019/09/20			DOC TYPE	
	ANGULAR TOL ± 2.0°		CHK'D: BSHAH 2019/10/15			DOC PART	
	4 PLACES ±		APPR: AROBERTSON 2019/10/15			REVISION	
	3 PLACES ±		INITIAL REVISION:			SD-73415-530	
	2 PLACES ±		DRWN: SSHAH 2005/04/19			PSD 001 D3	
	1 PLACE ±		APPR: JWIENER 2005/04/19			MATERIAL NUMBER	
	0 PLACES ±		DRAFT WHERE APPLICABLE MUST REMAIN WITHIN DIMENSIONS			CUSTOMER	
THIRD ANGLE PROJECTION		DRAWING		SERIES		SHEET NUMBER	
		C-SIZE		73415		2 OF 2	