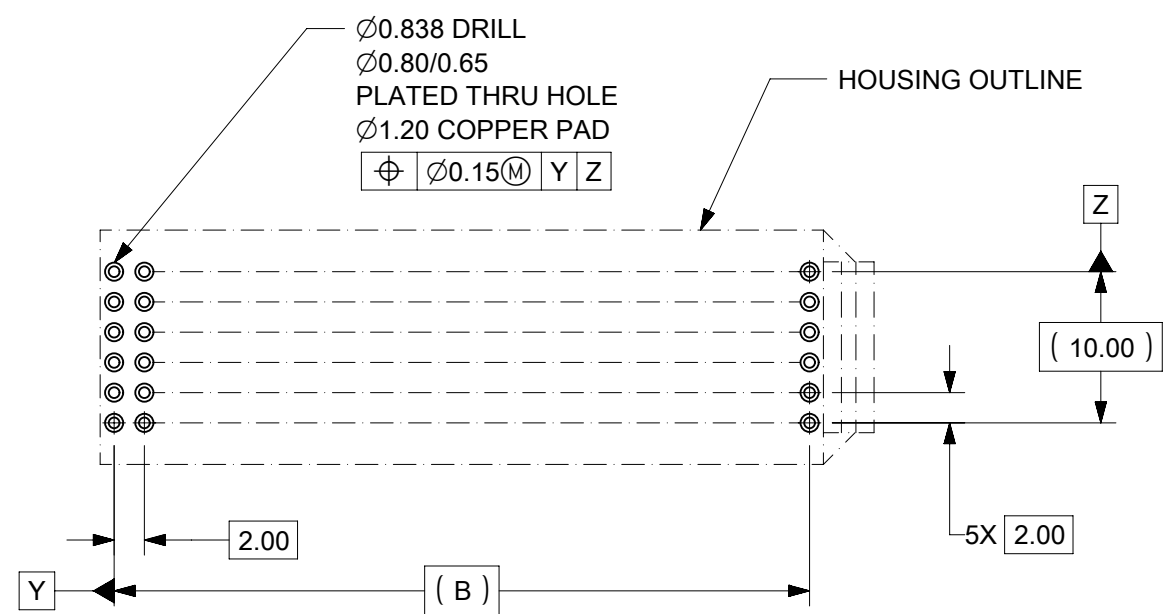


- NOTES:
- MATERIALS: HOUSING--LIQUID CRYSTAL POLYMER (LCP), GLASS FILLED, UL94V-0, COLOR: BLACK, TERMINAL: PHOSPHOR BRONZE.
 - FINISH: 0.75 MICROMETERS MINIMUM SELECTIVE GOLD (Au) IN MATING AREA 2.50 MICROMETERS MINIMUM SELECTIVE TIN (Sn) IN TAIL AREA NICKEL (Ni) UNDERPLATE OVERALL.
 - THIS PART CONFORMS TO MOLEX PRODUCT SPECIFICATION PS-73670-9999.
 - FOR MIXED CONTACT MATING LENGTHS, CONSULT FACTORY FOR AVAILABILITY.
 - PACKAGE PER PK-70873-0818.
 - PARTS MARKED WITH PART NUMBER AND DATE CODE, ON EITHER SIDE, APPROXIMATELY WHERE SHOWN.



PCB LAYOUT : COMPONENT SIDE
RECOMMENDED PCB THICKNESS : 2.50 MIN

THIS DRAWING CONTAINS INFORMATION THAT IS PROPRIETARY TO MOLEX ELECTRONIC TECHNOLOGIES, LLC AND SHOULD NOT BE USED WITHOUT WRITTEN PERMISSION											
DIMENSION UNITS mm		SCALE 2:1		CURRENT REV DESC: REACTIVATE AND REMASTERED IN NX						molex	
GENERAL TOLERANCES (UNLESS SPECIFIED)				EC NO: 682438							
ANGULAR TOL ± 0.5°				4 PLACES ±		DRWN: SCV		2021/10/18		SALES ASSY HDM BACKPLANE END WALL OPTION SOLDER TAIL VERSION	
3 PLACES ±				3 PLACES ±		CHKD: JMENDOZA01		2021/10/22		PRODUCT CUSTOMER DRAWING	
2 PLACES ± 0.05				2 PLACES ± 0.05		APPR: JMENDOZA01		2021/10/22		DOCUMENT NUMBER	
1 PLACE ± 0.1				1 PLACE ± 0.1		INITIAL REVISION:		2018/11/12		SD-73943-001	
0 PLACES ±				0 PLACES ±		DRWN: RFC_PLMIMP		2003/05/15		DOC TYPE DOC PART REVISION	
DRAFT WHERE APPLICABLE MUST REMAIN WITHIN DIMENSIONS				THIRD ANGLE PROJECTION		DRAWING		SERIES		MATERIAL NUMBER CUSTOMER SHEET NUMBER	
				B-SIZE		73943		SEE TABLE		GENERAL MARKET 1 OF 2	

MATERIAL NUMBER ASSIGNMENT

73943- * * 0 0

NUMBER	CIRCUIT SIZE	DIM "A"	DIM "B"	DIM "H"
0	72	27.6	22.00	2.0
1	144	51.6	46.00	2.0
2	72	27.6	22.60	2.5
3	144	51.6	46.00	2.5
4	72	27.6	22.00	3.0
5	144	51.6	46.00	3.0
6	72	27.6	22.00	3.5
7	144	51.6	46.00	3.5

NUMBER	DIM "M"
0	5.0
1	5.5
2	6.0

THIS DRAWING CONTAINS INFORMATION THAT IS PROPRIETARY TO MOLEX ELECTRONIC TECHNOLOGIES, LLC AND SHOULD NOT BE USED WITHOUT WRITTEN PERMISSION													
DIMENSION UNITS	SCALE	CURRENT REV DESC: REACTIVATE AND REMASTERED IN NX											
mm	1:1												
GENERAL TOLERANCES (UNLESS SPECIFIED)		EC NO: 682438 DRWN: SCV CHKD: JMENDOZA01 APPR: JMENDOZA01 INITIAL REVISION: DRWN: RFC_PLMIMP APPR: SREED				SALES ASSY HDM BACKPLANE END WALL OPTION SOLDER TAIL VERSION							
ANGULAR TOL ± 0.5°						PRODUCT CUSTOMER DRAWING							
4 PLACES ±						2021/10/18		2021/10/22		2021/10/22			
3 PLACES ±						2021/10/22		2021/10/22		2021/10/22			
2 PLACES ± 0.05						2021/10/22		2021/10/22		2021/10/22			
1 PLACE ± 0.1						2021/10/22		2021/10/22		2021/10/22			
0 PLACES ±		2021/10/22		2021/10/22		2021/10/22							
DRAFT WHERE APPLICABLE MUST REMAIN WITHIN DIMENSIONS		THIRD ANGLE PROJECTION	DRAWING	SERIES	MATERIAL NUMBER	CUSTOMER	DOCUMENT NUMBER		DOC TYPE	DOC PART	REVISION		
			B-SIZE	73943	SEE TABLE	GENERAL MARKET	SD-73943-001		PSD	001	J		
							2 OF 2						