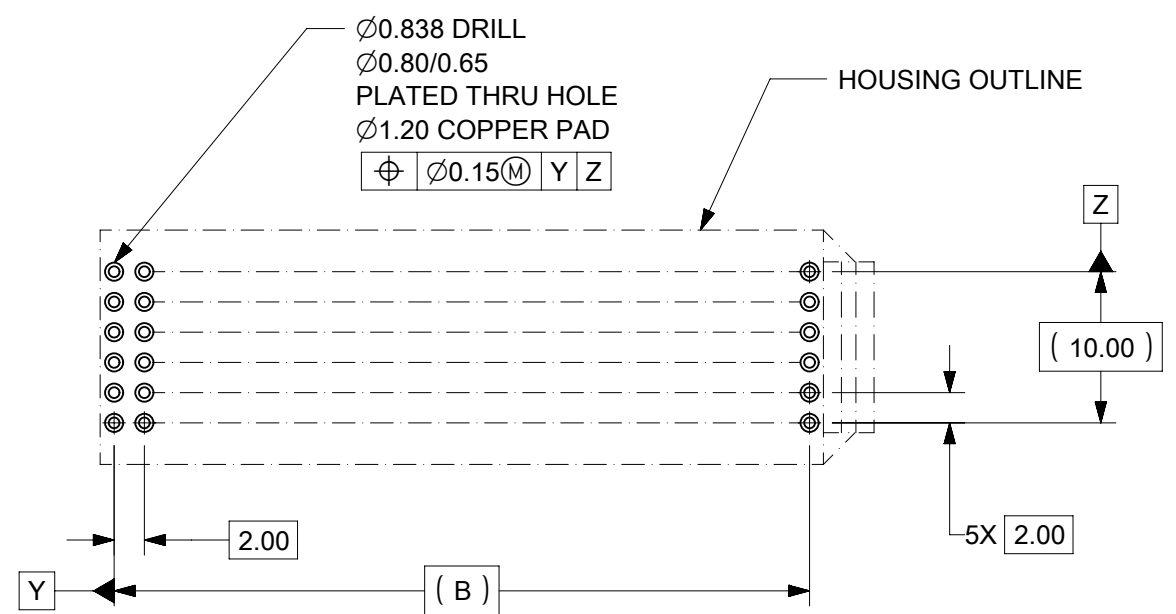


- NOTES:
- MATERIALS: HOUSING--LIQUID CRYSTAL POLYMER (LCP), GLASS FILLED, UL94V-0, COLOR: BLACK, TERMINAL: PHOSPHOR BRONZE.
  - FINISH: 0.75 MICROMETERS MINIMUM SELECTIVE GOLD (Au) IN MATING AREA  
2.50 MICROMETERS MINIMUM SELECTIVE TIN (Sn) IN TAIL AREA  
NICKEL (Ni) UNDERPLATE OVERALL.
  - THIS PART CONFORMS TO MOLEX PRODUCT SPECIFICATION PS-73670-9999.
  - FOR MIXED CONTACT MATING LENGTHS, CONSULT FACTORY FOR AVAILABILITY.
  - PACKAGE PER PK-70873-0818.
  - PARTS MARKED WITH PART NUMBER AND DATE CODE, ON EITHER SIDE, APPROXIMATELY WHERE SHOWN.



PCB LAYOUT : COMPONENT SIDE  
RECOMMENDED PCB THICKNESS : 2.50 MIN

THIS DRAWING CONTAINS INFORMATION THAT IS PROPRIETARY TO MOLEX ELECTRONIC TECHNOLOGIES, LLC AND SHOULD NOT BE USED WITHOUT WRITTEN PERMISSION									
DIMENSION UNITS <b>mm</b>	SCALE <b>2:1</b>	CURRENT REV DESC: REACTIVATE AND REMASTERED IN NX							
GENERAL TOLERANCES (UNLESS SPECIFIED)		EC NO: 682438							
ANGULAR TOL	± 0.5°	DRWN: SCV 2021/10/18			SALES ASSY HDM BACKPLANE END WALL OPTION SOLDER TAIL VERSION				
4 PLACES	±	CHKD: JMENDOZA01 2021/10/22			PRODUCT CUSTOMER DRAWING				
3 PLACES	±	APPR: JMENDOZA01 2021/10/22			DOCUMENT NUMBER				
2 PLACES	± 0.05	INITIAL REVISION:			SD-73943-001				
1 PLACE	± 0.1	DRWN: RFC_PLMIMP 2018/11/12			DOC TYPE		DOC PART		REVISION
0 PLACES	±	APPR: SREED 2003/05/15			PSD		001		J
DRAFT WHERE APPLICABLE MUST REMAIN WITHIN DIMENSIONS		THIRD ANGLE PROJECTION	DRAWING	SERIES	MATERIAL NUMBER	CUSTOMER		SHEET NUMBER	
			B-SIZE	73943	SEE TABLE	GENERAL MARKET		1 OF 2	

# MATERIAL NUMBER ASSIGNMENT

73943- \* \* 0 0

NUMBER	CIRCUIT SIZE	DIM "A"	DIM "B"	DIM "H"
0	72	27.6	22.00	2.0
1	144	51.6	46.00	2.0
2	72	27.6	22.60	2.5
3	144	51.6	46.00	2.5
4	72	27.6	22.00	3.0
5	144	51.6	46.00	3.0
6	72	27.6	22.00	3.5
7	144	51.6	46.00	3.5

NUMBER	DIM "M"
0	5.0
1	5.5
2	6.0

THIS DRAWING CONTAINS INFORMATION THAT IS PROPRIETARY TO MOLEX ELECTRONIC TECHNOLOGIES, LLC AND SHOULD NOT BE USED WITHOUT WRITTEN PERMISSION										
DIMENSION UNITS	SCALE	CURRENT REV DESC: REACTIVATE AND REMASTERED IN NX								
mm	1:1									
GENERAL TOLERANCES (UNLESS SPECIFIED)		EC NO: 682438 DRWN: SCV CHKD: JMENDOZA01 APPR: JMENDOZA01 INITIAL REVISION: DRWN: RFC_PLMIMP APPR: SREED				SALES ASSY HDM BACKPLANE END WALL OPTION SOLDER TAIL VERSION				
ANGULAR TOL ± 0.5°						PRODUCT CUSTOMER DRAWING				
4 PLACES ±						2021/10/18				
3 PLACES ±						2021/10/22				
2 PLACES ± 0.05						2021/10/22				
1 PLACE ± 0.1						2018/11/12				
0 PLACES ±		2003/05/15								
DRAFT WHERE APPLICABLE MUST REMAIN WITHIN DIMENSIONS		THIRD ANGLE PROJECTION	DRAWING	SERIES	MATERIAL NUMBER	CUSTOMER	DOCUMENT NUMBER			
			B-SIZE	73943	SEE TABLE	GENERAL MARKET	SD-73943-001	DOC TYPE	DOC PART	REVISION
							PSD	001	J	2 OF 2