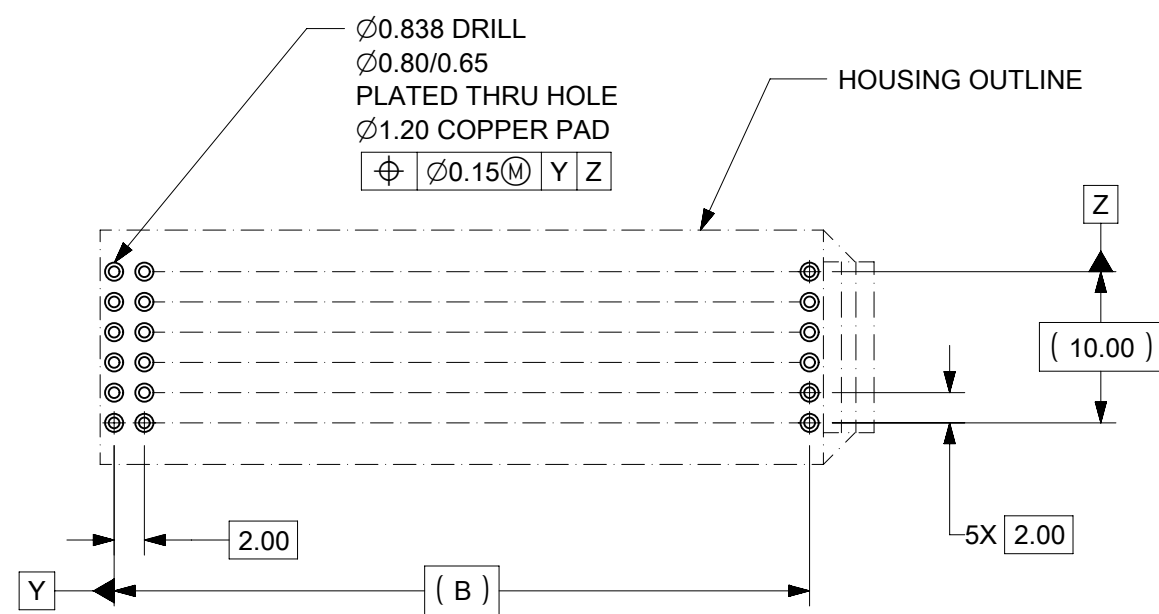


- NOTES:
- MATERIALS: HOUSING--LIQUID CRYSTAL POLYMER (LCP), GLASS FILLED, UL94V-0, COLOR: BLACK, TERMINAL: PHOSPHOR BRONZE.
 - FINISH: 0.75 MICROMETERS MINIMUM SELECTIVE GOLD (Au) IN MATING AREA
2.50 MICROMETERS MINIMUM SELECTIVE TIN (Sn) IN TAIL AREA
NICKEL (Ni) UNDERPLATE OVERALL.
 - THIS PART CONFORMS TO MOLEX PRODUCT SPECIFICATION PS-73670-9999.
 - FOR MIXED CONTACT MATING LENGTHS, CONSULT FACTORY FOR AVAILABILITY.
 - PACKAGE PER PK-70873-0818.
 - PARTS MARKED WITH PART NUMBER AND DATE CODE, ON EITHER SIDE, APPROXIMATELY WHERE SHOWN.



PCB LAYOUT : COMPONENT SIDE
RECOMMENDED PCB THICKNESS : 2.50 MIN

THIS DRAWING CONTAINS INFORMATION THAT IS PROPRIETARY TO MOLEX ELECTRONIC TECHNOLOGIES, LLC AND SHOULD NOT BE USED WITHOUT WRITTEN PERMISSION													
DIMENSION UNITS mm		SCALE 2:1		CURRENT REV DESC: REACTIVATE AND REMASTERED IN NX									
GENERAL TOLERANCES (UNLESS SPECIFIED)				EC NO: 682438									
ANGULAR TOL ± 0.5°				DRWN: SCV 2021/10/18				SALES ASSY HDM BACKPLANE END WALL OPTION SOLDER TAIL VERSION					
4 PLACES ±				CHKD: JMENDOZA01 2021/10/22				PRODUCT CUSTOMER DRAWING					
3 PLACES ±				APPR: JMENDOZA01 2021/10/22				DOCUMENT NUMBER					
2 PLACES ± 0.05				INITIAL REVISION:				SD-73943-001		DOC TYPE		DOC PART	
1 PLACE ± 0.1				DRWN: RFC_PLMIMP 2018/11/12				PSD		001		J	
0 PLACES ±				APPR: SREED 2003/05/15				REVISION					
DRAFT WHERE APPLICABLE MUST REMAIN WITHIN DIMENSIONS		THIRD ANGLE PROJECTION		DRAWING		SERIES		MATERIAL NUMBER		CUSTOMER		SHEET NUMBER	
				B-SIZE		73943		SEE TABLE		GENERAL MARKET		1 OF 2	

MATERIAL NUMBER ASSIGNMENT

73943- * * 0 0

NUMBER	CIRCUIT SIZE	DIM "A"	DIM "B"	DIM "H"
0	72	27.6	22.00	2.0
1	144	51.6	46.00	2.0
2	72	27.6	22.60	2.5
3	144	51.6	46.00	2.5
4	72	27.6	22.00	3.0
5	144	51.6	46.00	3.0
6	72	27.6	22.00	3.5
7	144	51.6	46.00	3.5

NUMBER	DIM "M"
0	5.0
1	5.5
2	6.0

THIS DRAWING CONTAINS INFORMATION THAT IS PROPRIETARY TO MOLEX ELECTRONIC TECHNOLOGIES, LLC AND SHOULD NOT BE USED WITHOUT WRITTEN PERMISSION										
DIMENSION UNITS	SCALE	CURRENT REV DESC: REACTIVATE AND REMASTERED IN NX								
mm	1:1									
GENERAL TOLERANCES (UNLESS SPECIFIED)		EC NO: 682438 DRWN: SCV 2021/10/18 CHKD: JMENDOZA01 2021/10/22 APPR: JMENDOZA01 2021/10/22 INITIAL REVISION: DRWN: RFC_PLMIMP 2018/11/12 APPR: SREED 2003/05/15				SALES ASSY HDM BACKPLANE END WALL OPTION SOLDER TAIL VERSION				
ANGULAR TOL ± 0.5°						PRODUCT CUSTOMER DRAWING				
4 PLACES ±						DOCUMENT NUMBER		DOC TYPE	DOC PART	REVISION
3 PLACES ±						SD-73943-001		PSD	001	J
2 PLACES ± 0.05						MATERIAL NUMBER		CUSTOMER		SHEET NUMBER
1 PLACE ± 0.1						SEE TABLE		GENERAL MARKET		2 OF 2
0 PLACES ±		THIRD ANGLE PROJECTION		DRAWING	SERIES	MATERIAL NUMBER				
DRAFT WHERE APPLICABLE MUST REMAIN WITHIN DIMENSIONS			B-SIZE	73943						