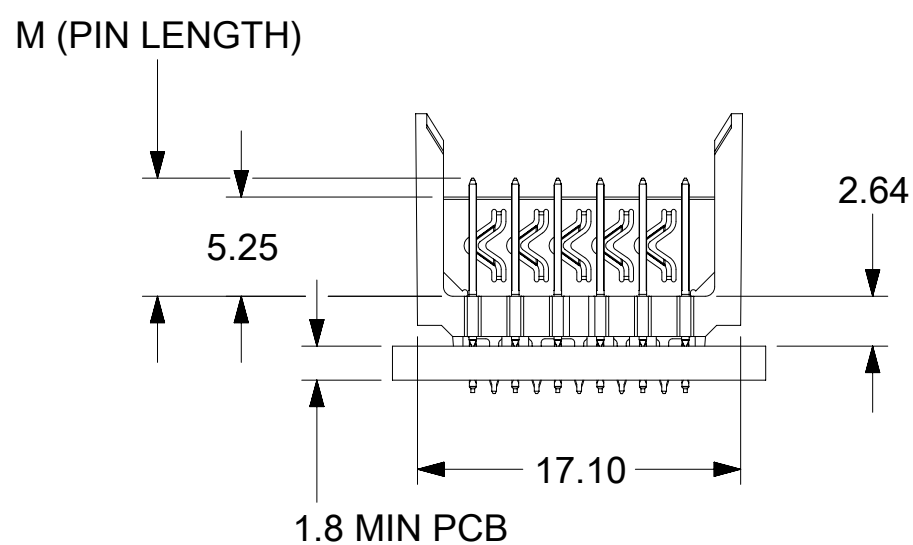
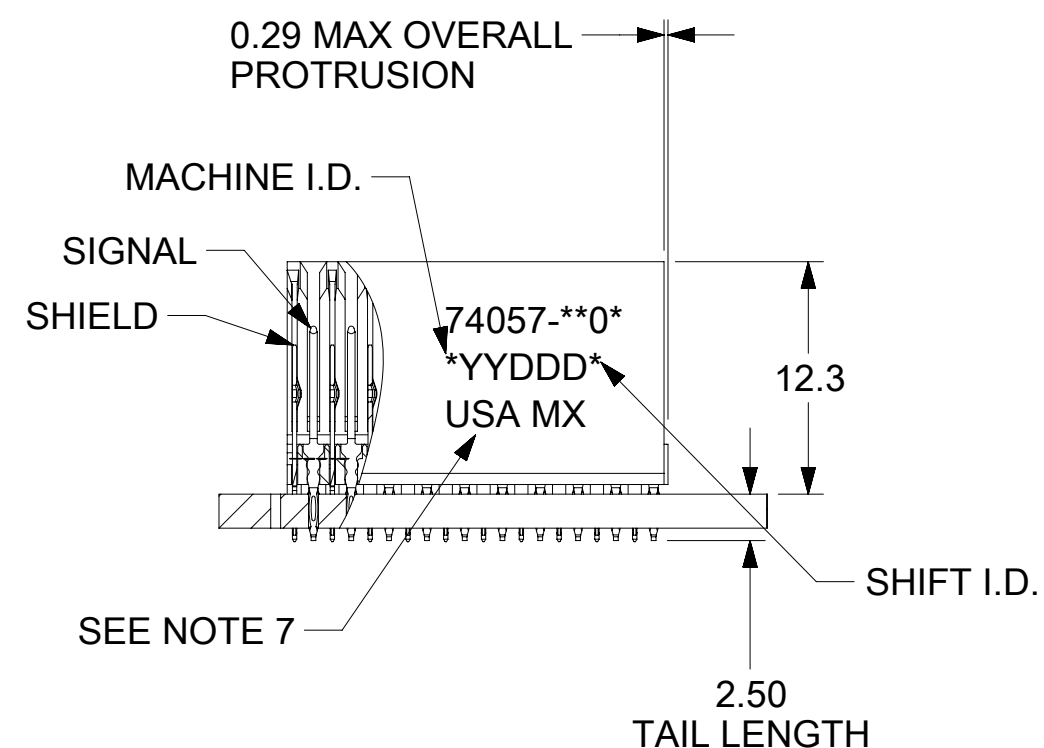
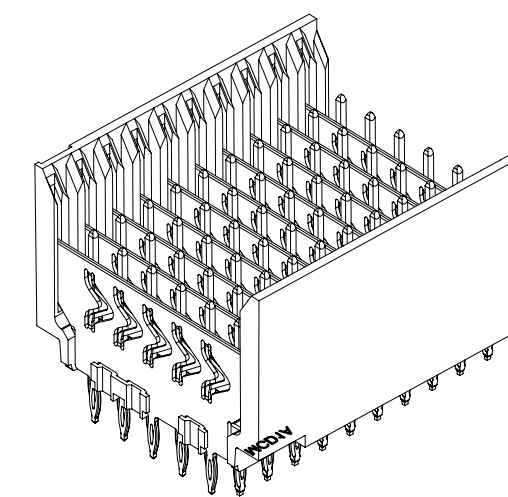


**BLACK PLANE HOLE PATTERN
RECOMMENDED DIMENSIONS**



NOTES:

1. MATERIALS:
HOUSING - LIQUID CRYSTAL POLYMER (LCP),
GLASS-FILLED, UL 94V-0, COLOR: BLACK
SIGNAL PIN & SHIELD - COPPER ALLOY
2. FINISHES:
CONTACT AREA: SELECTIVE GOLD (Au)
PCB TAILS: SELECTIVE MATTE TIN (Sn)
NICKEL (Ni) OVERALL.
3. THIS PART CONFORMS TO MOLEX PRODUCT SPECIFICATION PS-74031-999
4. FOR MIXED CONTACT LENGTHS CONSULT MOLEX FOR AVAILABILITY
5. FOR SPECIFIC MATERIAL NUMBERS & MATING INFORMATION REFER TO SHEET 2
6. PACKAGE PER PK-74057-003
7. EITHER MARK PART WITH PART NUMBER & DATE CODE APPROXIMATELY WHERE SHOWN OR PLACE LABEL ON THE TUBE.
8. MAPS (MOLEX ADVANCED PLATING SYSTEM)

PENDING APPROVAL

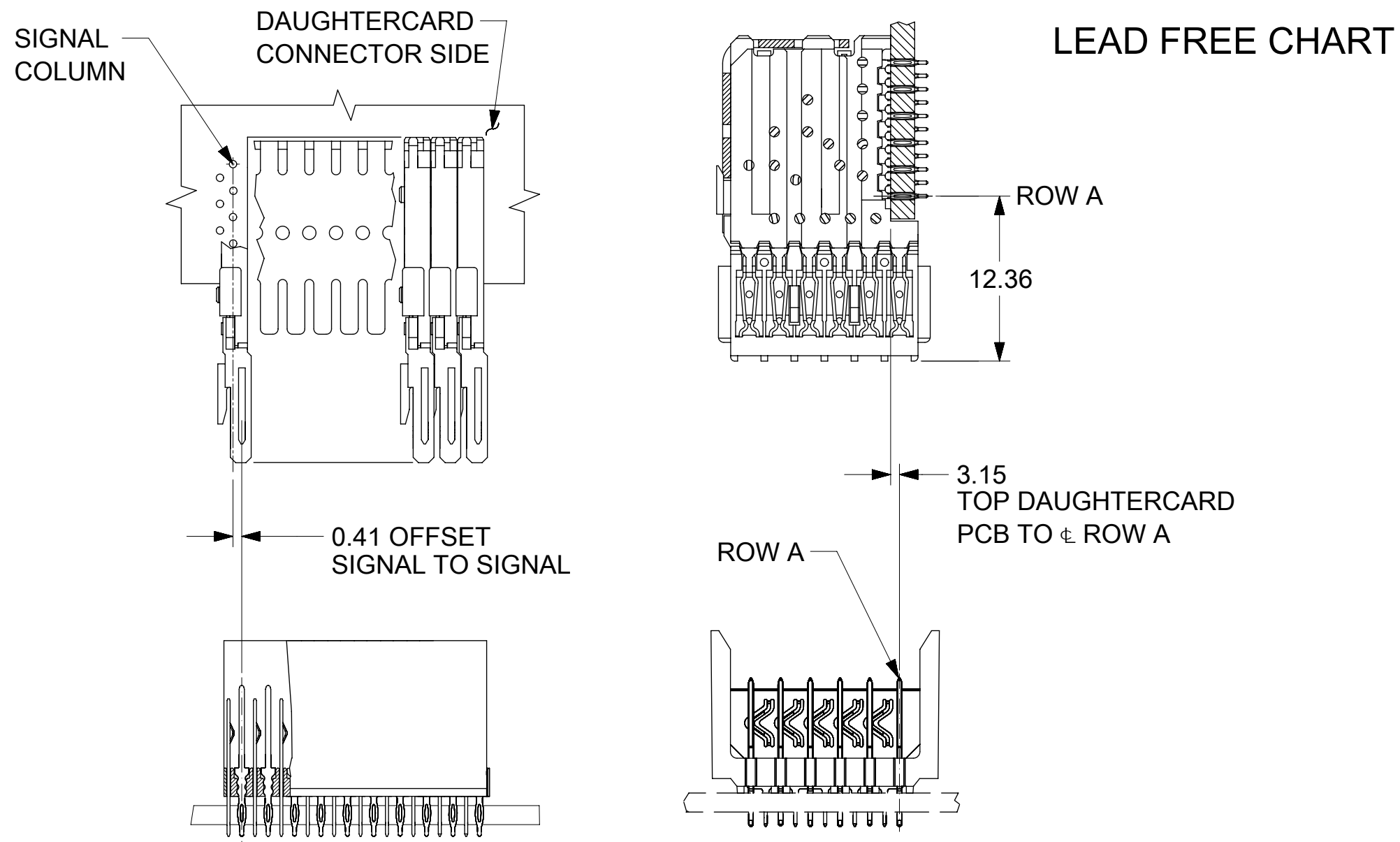
THIS DRAWING CONTAINS INFORMATION THAT IS PROPRIETARY TO MOLEX ELECTRONIC TECHNOLOGIES, LLC AND SHOULD NOT BE USED WITHOUT WRITTEN PERMISSION												
DIMENSION UNITS	SCALE		CURRENT REV DESC: SEE REVISION HISTORY ON SHEET 3					molex				
mm	2.5:1											
GENERAL TOLERANCES (UNLESS SPECIFIED)			EC NO: 719836 DRWN: KRISHH1 2022/07/14 CHK'D: APPR: INITIAL REVISION: DRWN: MWANG 1998/11/09 APPR: SMILLER 2012/05/23							VHDM 6 ROW OPEN END BACKPLANE SALES ASSEMBLY		
4 PLACES	±	±								PRODUCT CUSTOMER DRAWING		
3 PLACES	±	±								DOCUMENT NUMBER		
2 PLACES	±	0.25								SD-74057-002		
1 PLACE	±	0.38								DOC TYPE		
0 PLACES	±	±	PSD									
ANGULAR TOL ± 0.5 °			DOC PART			001			REVISION	N4		
DRAFT WHERE APPLICABLE MUST REMAIN WITHIN DIMENSIONS			THIRD ANGLE PROJECTION		DRAWING		SERIES		SHEET NUMBER			
			C-SIZE		74057		MATERIAL NUMBER		CUSTOMER			
							SEE TABLE		GENERAL MARKET			
									1 OF 3			

DOCUMENT STATUS	RQ	RELEASE DATE							

PART NUMBER	COLUMN	NUMBER OF SIGNAL PIN	NUMBER OF SHIELD	A	B	M	GOLD THICKNESS MICROMETER	TIN THICKNESS MICROMETER			
74057-6001	10	60	10	20.00	18.00	4.75	0.25 MAPS	0.76-1.52			
74057-9001							0.76				
74057-9006							1.27				
74057-6501	15	90	15	30.00	28.00	0.25 MAPS					
74057-9501						0.76					
74057-9506						1.27					
74057-7001	25	150	25	50.00	48.00	0.25 MAPS					
74057-8506						1.27					
74057-6002						0.25 MAPS					
74057-9002	10	60	10	20.00	18.00	0.76					
74057-9007						1.27					
74057-6502						0.25 MAPS					
74057-9502	15	90	15	30.00	28.00	0.76					
74057-9507						1.27					
74057-7002						0.25 MAPS					
74057-8502	25	150	25	50.00	48.00	0.76					
74057-8507						1.27					
74057-6003						0.25 MAPS					
74057-9003	10	60	10	50.00	48.00	0.76					
74057-9008						1.27					
74057-6503						0.25 MAPS					
74057-9503	15	90	15	30.00	28.00	0.76					
74057-9508						1.27					
74057-7003						0.25 MAPS					
74057-8508	25	150	25	50.00	48.00	1.27					
74057-9009						10	60	10	20.00	18.00	1.27
74057-6504						0.25 MAPS					
74057-9504	15	90	15	30.00	28.00	0.76					
74057-9509						1.27					
74057-8504						0.76					
74057-8509	25	150	25	50.00	48.00	1.27					

PART NUMBER	COLUMN	NUMBER OF SIGNAL PIN	NUMBER OF SHIELD	A	B	M	GOLD THICKNESS MICROMETER	TIN THICKNESS MICROMETER
74057-1006	10	60	10	20.00	18.00	4.75	1.27	0.76-1.52
74057-1501	15	90	15	30.00	28.00		0.76	
74057-1506							1.27	
74057-2506	25	150	25	50.00	48.00	1.27		
74057-1002	10	60	10	20.00	18.00	6.25	0.76	
74057-1502	15	90	15	30.00	28.00		0.76	
74057-1507						1.27		
74057-1008	10	60	10	20.00	18.00	4.25	1.27	
74057-1503	15	90	15	30.00	28.00		0.76	
74057-1508							1.27	
74057-2508	25	150	25	50.00	48.00	1.27		
74057-1004	10	60	10	20.00	18.00	5.15	0.76	
74057-1009	15	90	15	30.00	28.00		1.27	
74057-1504							0.76	
74057-1509	15	90	15	30.00	28.00	1.27		

LEAD FREE
(FORMERLY TIN/LEAD) CHART



74057 - * * 0 *

- NUMBER OF COLUMNS/PLATING
- 10 = 10 COLUMN MATTE TIN (FORMERLY TIN/LEAD)
 - 15 = 15 COLUMN MATTE TIN (FORMERLY TIN/LEAD)
 - 25 = 25 COLUMN MATTE TIN (FORMERLY TIN/LEAD)
 - 60 = 10 COLUMN MATTE TIN (MAPS)
 - 65 = 15 COLUMN MATTE TIN (MAPS)
 - 70 = 25 COLUMN MATTE TIN (MAPS)
 - 90 = 10 COLUMN MATTE TIN
 - 95 = 15 COLUMN MATTE TIN
 - 85 = 25 COLUMN MATTE TIN
- PIN HEIGHT
- 1 & 6 = 4.75
 - 2 & 7 = 6.25
 - 3 & 8 = 4.25
 - 4 & 9 = 5.15

PENDING APPROVAL

FUNCTIONAL SYMBOLS	THIS DRAWING CONTAINS INFORMATION THAT IS PROPRIETARY TO MOLEX ELECTRONIC TECHNOLOGIES, LLC AND SHOULD NOT BE USED WITHOUT WRITTEN PERMISSION			
	DIMENSION UNITS	SCALE		CURRENT REV DESC: SEE REVISION HISTORY ON SHEET 3
$F_A = 0$	mm	2.5:1		EC NO: 719836 DRWN: KRISHH1 CHK'D: APPR:
$F_C = 0$	GENERAL TOLERANCES (UNLESS SPECIFIED)			
$F_P = 0$		MM	INCH	2022/07/14
DIVISIONAL SYMBOLS	4 PLACES	±	±	INITIAL REVISION: DRWN: MWANG APPR: SMILLER
	3 PLACES	±	±	
	2 PLACES	± 0.25	±	
	1 PLACE	± 0.38	±	
	0 PLACES	±	±	1998/11/09 2012/05/23
	ANGULAR TOL	± 0.5°		
DRAFT WHERE APPLICABLE MUST REMAIN WITHIN DIMENSIONS		THIRD ANGLE PROJECTION		DRAWING SERIES
		C-SIZE		74057
DOCUMENT STATUS		RELEASE DATE		DOCUMENT NUMBER
RQ				SD-74057-002
				DOC TYPE
				PSD
				DOC PART
				001
				REVISION
				N4
				MATERIAL NUMBER
				SEE TABLE
				CUSTOMER
				GENERAL MARKET
				SHEET NUMBER
				2 OF 3

H
G
F
E
D
C
B
A

DATE	REV	DESCRIPTION
2022/06/22	N3	DRAWING MIGRATED TO NEW SHEET FORMAT REMOVED OBSOLETE PART NUMBER AS PER PCN#509989
2022/07/14	N4	DRAWING MIGRATION AS MODEL IN THE DRAWING VIEW IS UPDATED

PENDING APPROVAL

FUNCTIONAL SYMBOLS	THIS DRAWING CONTAINS INFORMATION THAT IS PROPRIETARY TO MOLEX ELECTRONIC TECHNOLOGIES, LLC AND SHOULD NOT BE USED WITHOUT WRITTEN PERMISSION											
	FA = 0	DIMENSION UNITS	SCALE	CURRENT REV DESC: SEE REVISION HISTORY ON SHEET 3							molex	
FC = 0	mm	1:1	GENERAL TOLERANCES (UNLESS SPECIFIED)			EC NO: 719836				VHDM 6 ROW OPEN END BACKPLANE SALES ASSEMBLY		
FP = 0				MM	INCH	2022/07/14		DRWN: KRISHH1				PRODUCT CUSTOMER DRAWING
DIVISIONAL SYMBOLS	4 PLACES	±	±			APPR:		INITIAL REVISION:		DOCUMENT NUMBER		
	3 PLACES	±	±			APPR:		DRWN: DRAWN BY		DOC TYPE		
	2 PLACES	±	0.25	±			APPR:		SERIES		DOC PART	
	1 PLACE	±	0.38	±			APPR:		0099/99/99		REVISION	
	0 PLACES	±	±			APPR:		0099/99/99		SD-74057-002		
	ANGULAR TOL	±	0.5 °			THIRD ANGLE PROJECTION		DRAWING		MATERIAL NUMBER		
	DRAFT WHERE APPLICABLE MUST REMAIN WITHIN DIMENSIONS				THIRD ANGLE PROJECTION		C-SIZE		SERIES		CUSTOMER	
					THIRD ANGLE PROJECTION		74057		SEE TABLE		GENERAL MARKET	
					THIRD ANGLE PROJECTION				SHEET NUMBER		3 OF 3	

DOCUMENT STATUS	RQ	RELEASE DATE	
12	11	10	9