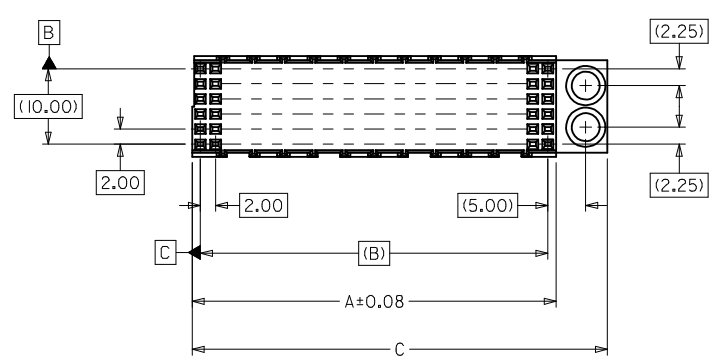
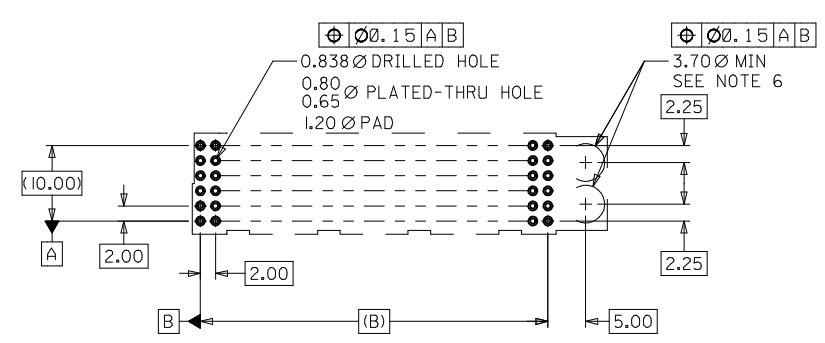
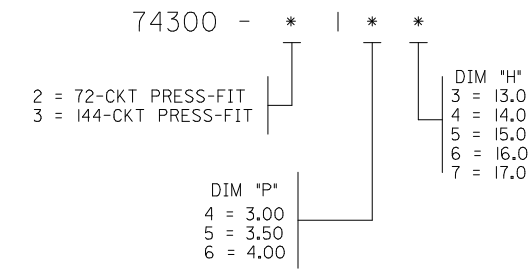


- NOTES:
1. MATERIALS: HOUSING - LIQUID CRYSTAL POLYMER (LCP) BLACK  
TERMINALS - HIGH PERFORMANCE COPPER ALLOY
  2. FINISH: SELECTIVE GOLD (Au) IN CONTACT AREA.  
2.50 MICROMETER MINIMUM THICKNESS.  
SELECTIVE MATTE TIN (Sn) ON PRESS FIT TAILS.  
0.88 MICROMETER MINIMUM THICKNESS.  
NICKEL OVERALL.
  3. THIS PART CONFORMS TO MOLEX PRODUCT SPEC PS-73780-999.
  4. 144 CKT STACKING MODULE SHOWN FOR ILLUSTRATION PURPOSES.  
SEE CHART FOR TABULATED DIMENSIONS.
  5. 74300-\*\*\*7 PARTS TO BE PACKAGED IN TUBES PER PK-70873-0872.
  6. ALL OTHER PARTS TO BE PACKAGED IN TUBES PER PK-70873-0900.
  6. DEPENDING ON APPLICATION, THIS HOLE MAY BE NEEDED FOR CLEARANCE OF BACKPLANE GUIDE PIN. LOCATION OF HOLE WILL DEPEND ON LOCATION OF GUIDE PIN.
  7. TRUE POSITION OF TAILS IS INSPECTED USING GAGE NUMBER 73727-0014.
  8. THIS PART CONFORMS TO MOLEX COSMETIC SPEC PS-45499-002 CLASS B.



MATERIAL NUMBER ASSIGNMENT



PCB LAYOUT: COMPONENT SIDE

74300 - 31**	144	48.17	46.00	54.95
74300 - 21**	72	24.17	22.00	30.95
MATERIAL NUMBER	CIRCUIT SIZE	DIM A	DIM B	DIM C

<b>LEAD FREE CONVERSION</b> EC NO: UCP2013-3253 DRW:RMH/PPLE 2013/02/05 CHK:D/WOLFE 2013/02/05 APPR:SMILLER 2013/08/05	QUALITY SYMBOLS ∇=0 ∇=0 ∇=0	GENERAL TOLERANCES (UNLESS SPECIFIED) mm INCH 4 PLACES ± --- ± --- 3 PLACES ± --- ± --- 2 PLACES ± 0.05 ± --- 1 PLACE ± 0.10 ± --- 0 PLACE ± --- ± ---	DIMENSION STYLE <b>MM ONLY</b> DRAWN BY DATE JJONIAK 2006/02/14 CHECKED BY DATE SREED 2006/02/14 APPROVED BY DATE SMILLER 2010/02/08	SCALE <b>2:1</b> DESIGN UNITS <b>METRIC</b> THIRD ANGLE PROJECTION	SALES ASSY, HDM LEADED DAUGHTERCARD STACKING MODULE, GUIDE OPTION <b>molex</b> DOCUMENT NO. SD-74300-002 SHEET NO. 1 OF 1
		DRAFT WHERE APPLICABLE MUST REMAIN WITHIN DIMENSIONS		MATERIAL NO. <b>SEE TABLE</b>	
		ANGULAR ±1/2°		THIS DRAWING CONTAINS INFORMATION THAT IS PROPRIETARY TO MOLEX INCORPORATED AND SHOULD NOT BE USED WITHOUT WRITTEN PERMISSION	