

MATERIAL NUMBER	# OF COLUMNS	# OF DIFF PAIR	DIM "A" MAX	DIM "B"	PTH $\varnothing$
76410-*8**	8	24	22.80	13.30	0.46 $\pm$ 0.05
76410-*1**	10	30	26.60	17.10	0.46 $\pm$ 0.05
76410-*4**	14	42	34.20	24.70	0.46 $\pm$ 0.05
76410-*6**	16	48	38.00	28.50	0.46 $\pm$ 0.05
76410-*8**	8	24	22.80	13.30	0.39 $\pm$ 0.05
76410-*1**	10	30	26.60	17.10	0.39 $\pm$ 0.05
76410-*4**	14	42	34.20	24.70	0.39 $\pm$ 0.05
76410-*6**	16	48	38.00	28.50	0.39 $\pm$ 0.05

**76410-\*\*\***

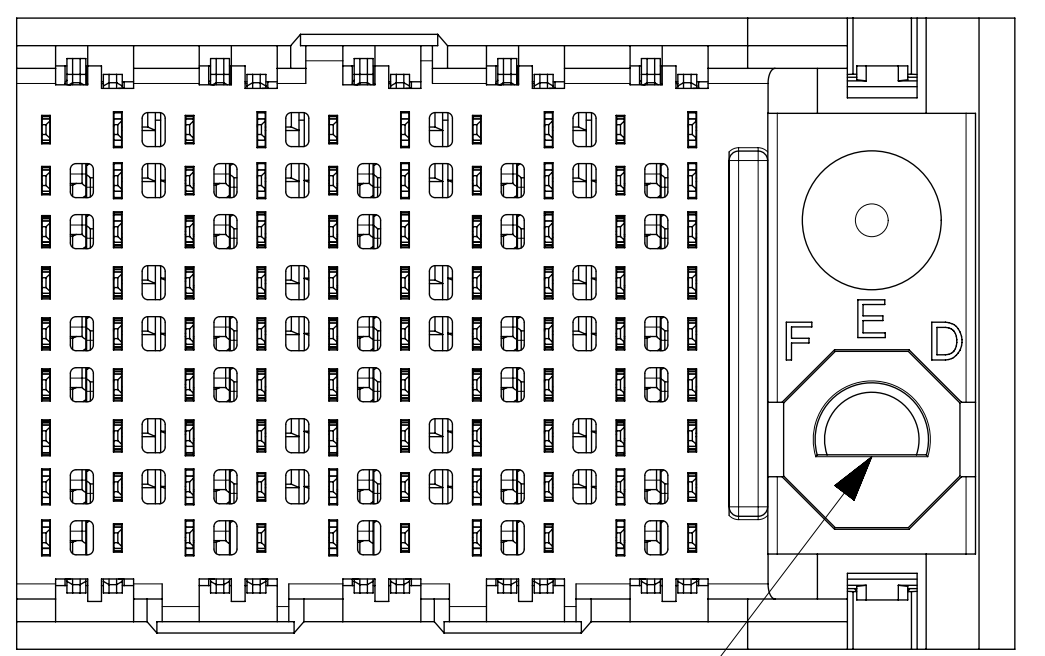
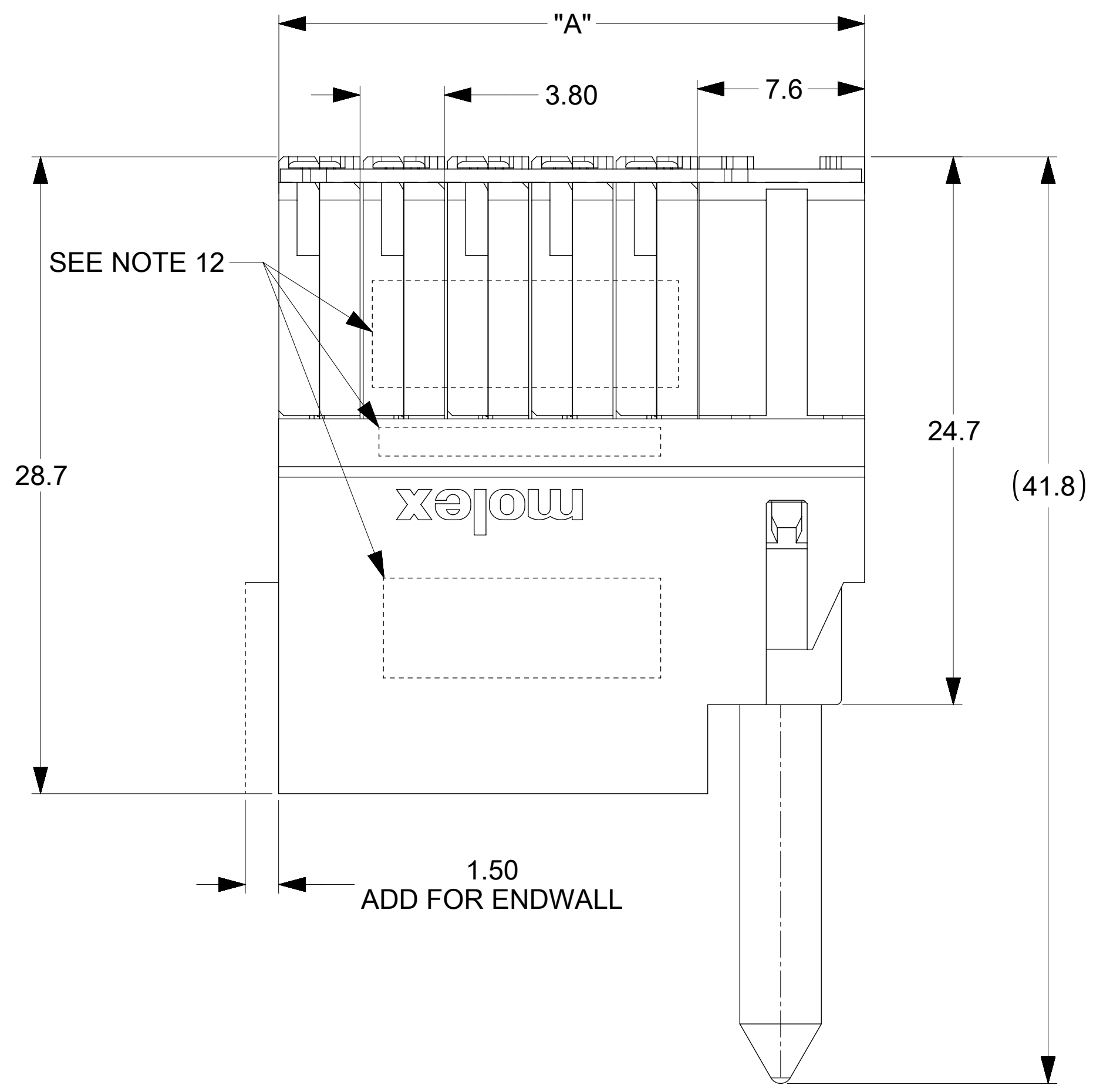
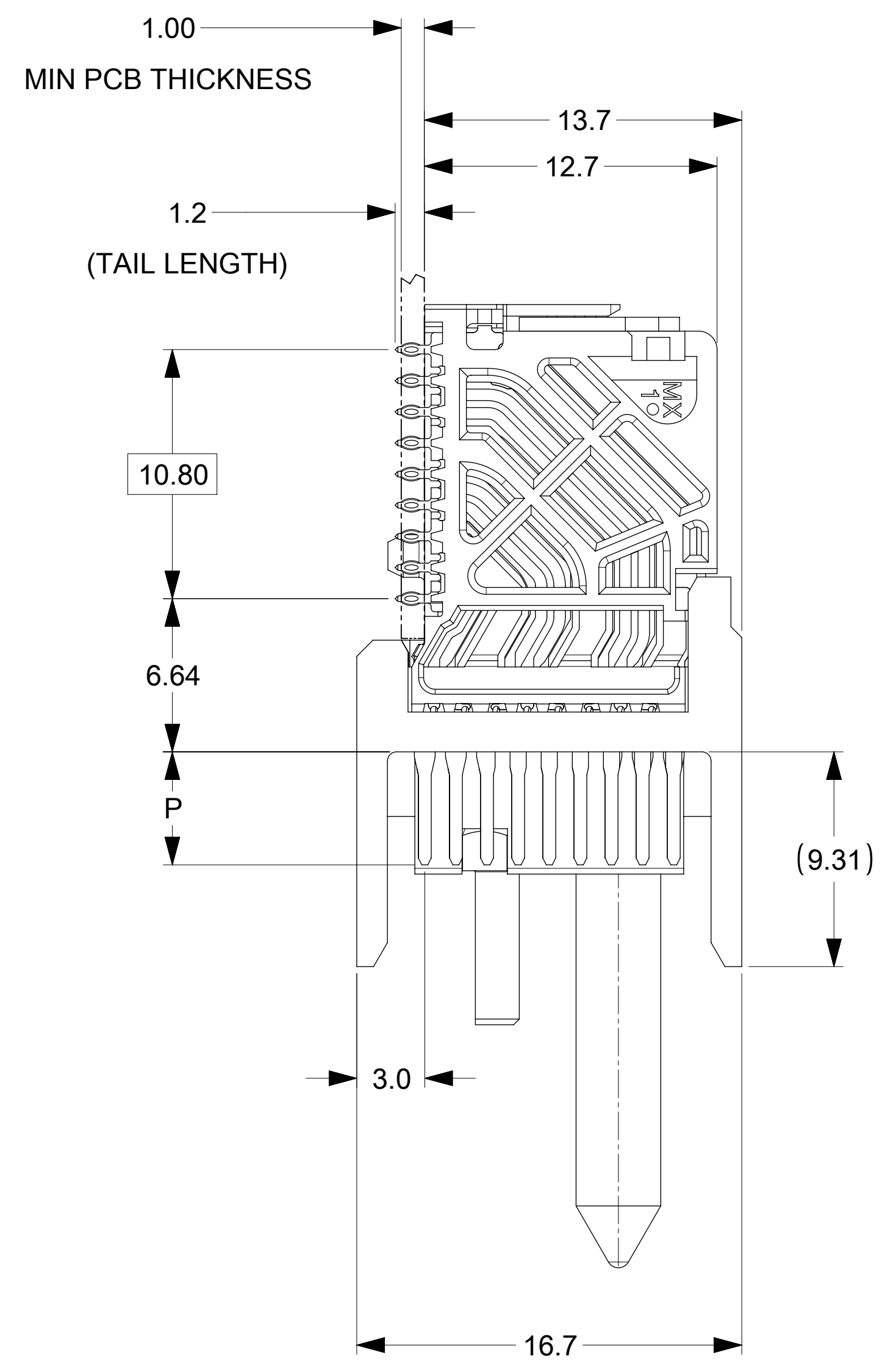
MODULE & TAIL PLATING TYPE  
 5 = RIGHT GUIDED LEAD-FREE  
 9 = RIGHT GUIDED LEAD-FREE W/ ENDWALL

PIN LENGTH (P)  
 4 = 4.90 (0.46 PTH)  
 5 = 5.50 (0.46 PTH)  
 7 = 4.90 (0.39 PTH)  
 8 = 5.50 (0.39 PTH)

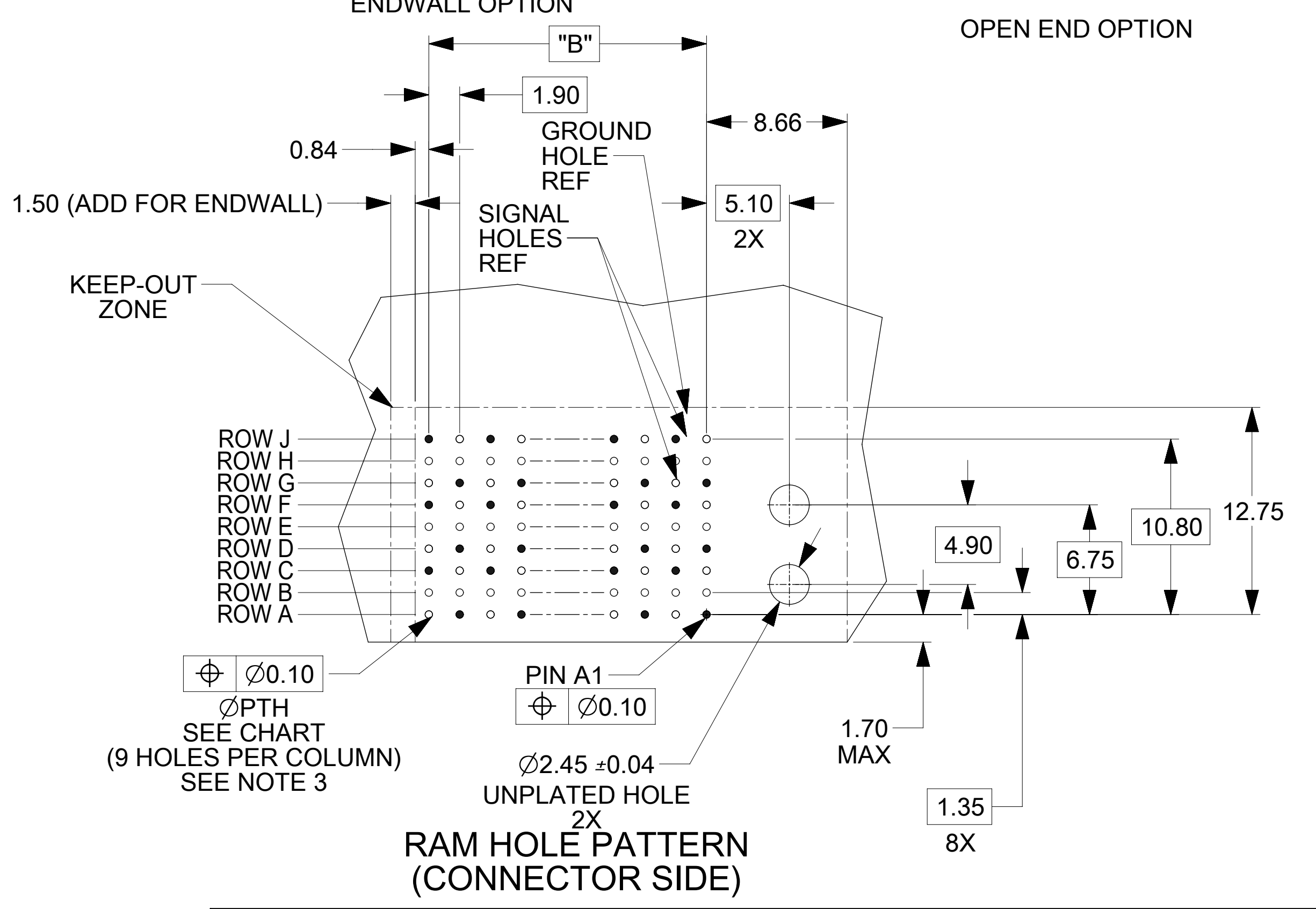
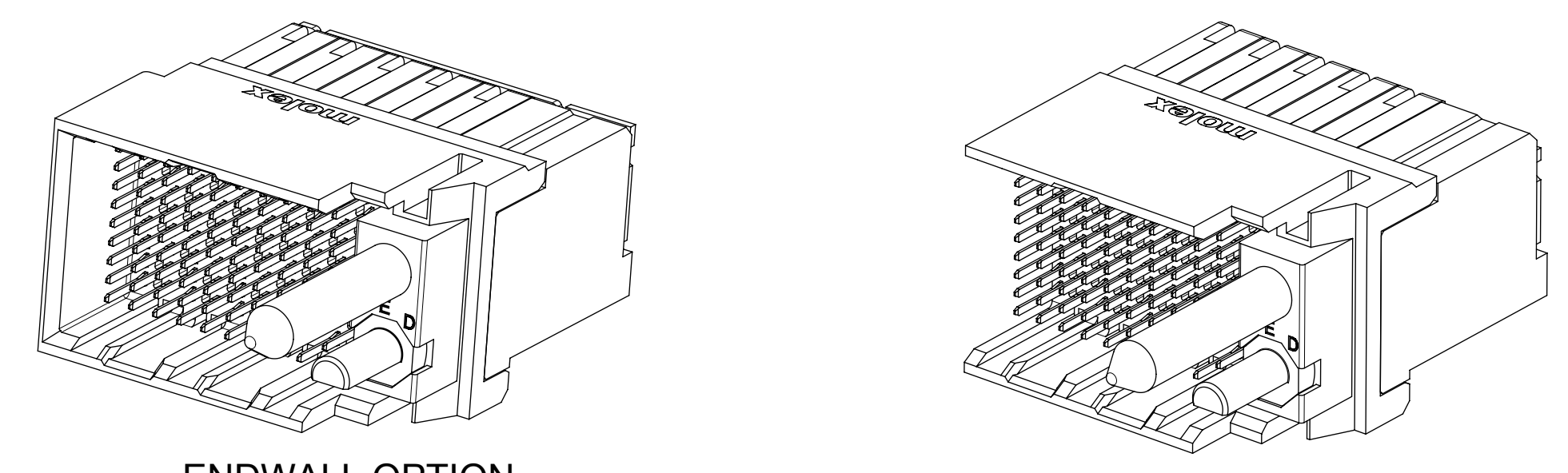
# OF COLUMNS  
 1 = 10 COL  
 4 = 14 COL  
 6 = 16 COL  
 8 = 8 COL

POLARIZATION KEY ORIENTATION  
 0 = NO KEY  
 1 = A    5 = E  
 2 = B    6 = F  
 3 = C    7 = G  
 4 = D    8 = H

- NOTES:
- MATERIALS: HOUSING - LIQUID CRYSTAL POLYMER (LCP), GLASS-FILLED, UL94V-0  
TERMINALS - HIGH PERFORMANCE COPPER ALLOY
  - FINISH: 30uIN SELECTIVE GOLD IN CONTACT AREA, SELECTIVE TIN ON PCB TAILS. NICKEL OVERALL.
  - REFER TO MOLEX PRODUCT SPECIFICATION PS-76060-999 FOR PERFORMANCE SPECIFICATIONS AND ADDITIONAL PCB INFORMATION.
  - EACH SIGNAL WAFER CONTAINS 2 COLUMNS OF TERMINALS.
  - PRODUCT IS PACKAGED PER PK-70873-762.
  - THIS PART CONFORMS TO CLASS B REQUIREMENTS OF COSMETIC SPEC PS-45499-002.
  - REFER TO MOLEX SALES DRAWING SD-76170-002 FOR THE MATING RECEPTACLES.
  - REFER TO MOLEX PCB ROUTING GUIDE AS-76060-990 FOR ANTIPAD AND ROUTING RECOMMENDATIONS.
  - MOLEX TO SUPPLY #2-23 SCREW 73726-0000.FOR BOARD THICKNESS AND OTHER SCREW INFORMATION REFER TO IMPACT BACKPLANE SYSTEM SCREW DESIGN GUIDE AS-76060-9999.
  - GUIDE RIGHT RAM MATES WITH A GUIDE LEFT DAUGHTERCARD.
  - OPEN END VERSION SHOWN FOR CLARITY.
  - MARKING: LOCATED APPROXIMATELY AS SHOWN. PART NUMBER AND DATE CODE.



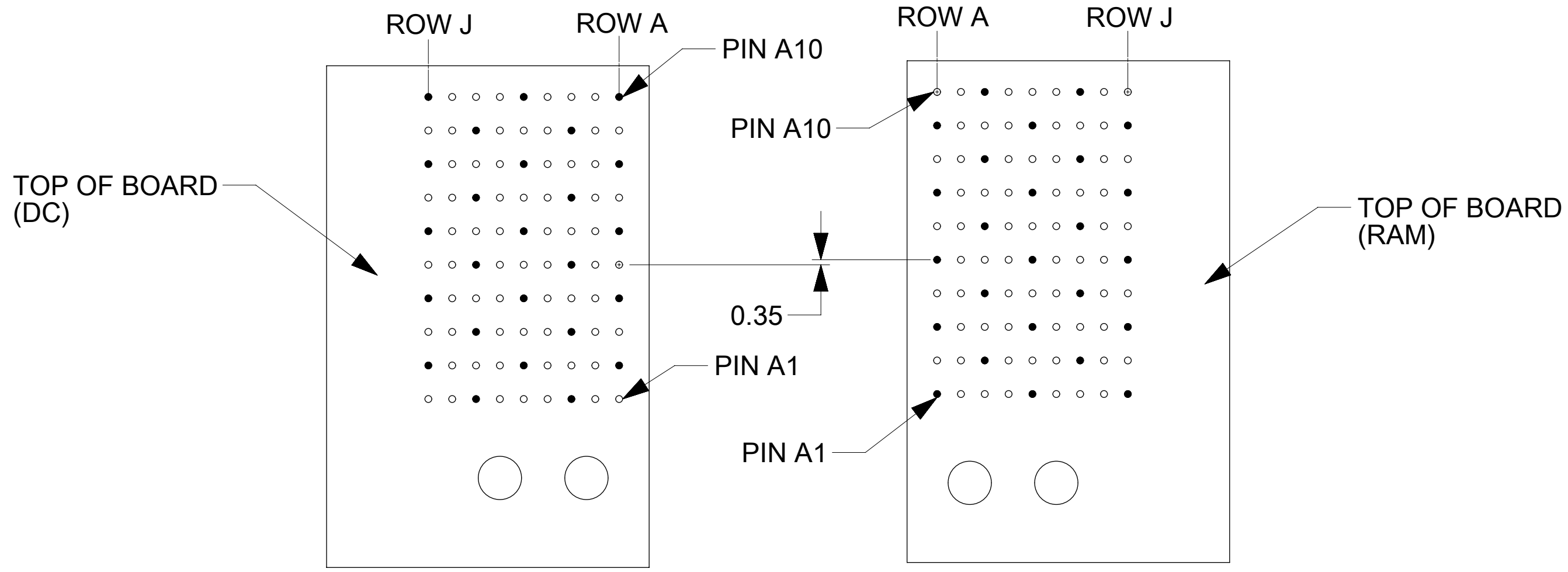
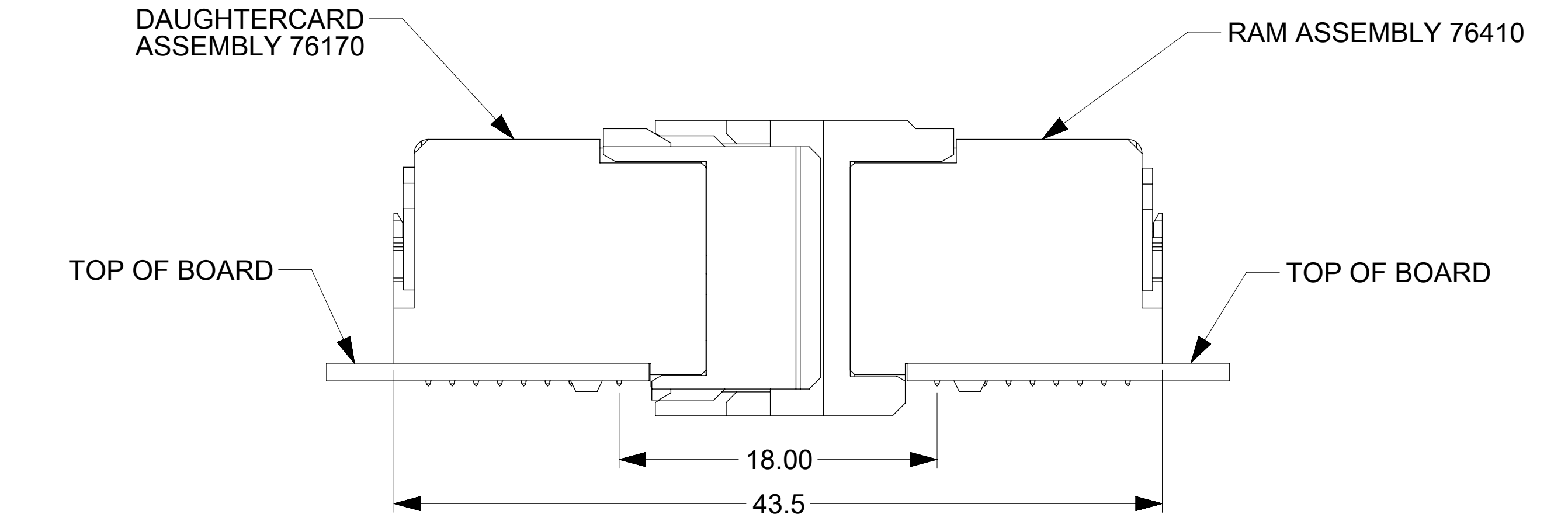
KEY SHOWN  
IN POSITION A



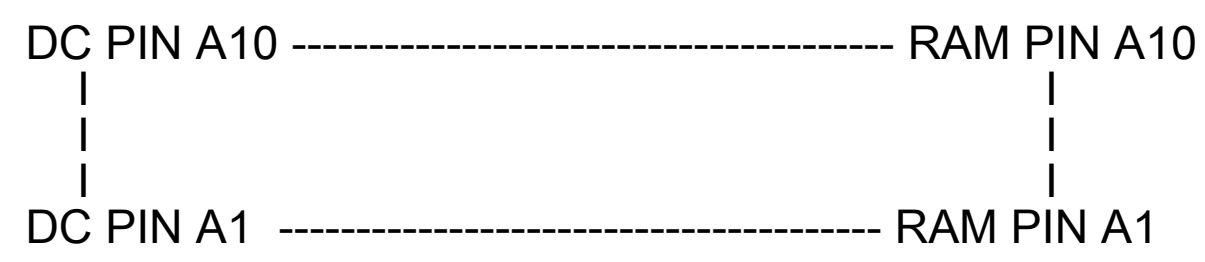
THIS DRAWING CONTAINS INFORMATION THAT IS PROPRIETARY TO MOLEX ELECTRONIC TECHNOLOGIES, LLC AND SHOULD NOT BE USED WITHOUT WRITTEN PERMISSION

DIMENSION UNITS	SCALE	CURRENT REV DESC:	molex		
mm	NTS	CHANGE SCREW P/N	IMPACT 3 PAIR RAM GUIDE RIGHT SIGNAL MODULE SALES DWG		
GENERAL TOLERANCES (UNLESS SPECIFIED)		EC NO: 623439	PRODUCT CUSTOMER DRAWING		
ANGULAR TOL	$\pm$ 0.5°	DRWN: JSGOH01	2019/08/30	DOCUMENT NUMBER	
4 PLACES	$\pm$	CHK'D: SHONG	2019/09/16	DOC TYPE	DOC PART
3 PLACES	$\pm$	APPR: SHONG	2019/09/16	PSD	001
2 PLACES	$\pm$ 0.13	INITIAL REVISION:	2008/10/23	REVISION	F3
1 PLACE	$\pm$ 0.25	DRWN: JLAURX	2008/10/27	SD-76410-004	
0 PLACES	$\pm$	APPR: JLAURX	2008/10/27	MATERIAL NUMBER	CUSTOMER
DRAFT WHERE APPLICABLE MUST REMAIN WITHIN DIMENSIONS		THIRD ANGLE PROJECTION	DRAWING	SERIES	SHEET NUMBER
			D-SIZE	76410	1 OF 2
			SEE TABLE	GENERAL MARKET	

# COPLANAR APPLICATION



## COPLANAR MATED SIGNAL PATHS



THIS DRAWING CONTAINS INFORMATION THAT IS PROPRIETARY TO MOLEX ELECTRONIC TECHNOLOGIES, LLC AND SHOULD NOT BE USED WITHOUT WRITTEN PERMISSION									
DIMENSION UNITS		SCALE		CURRENT REV DESC: CHANGE SCREW P/N					
mm		NTS		<p><b>molex</b></p> <p>IMPACT 3 PAIR RAM GUIDE RIGHT SIGNAL MODULE SALES DWG</p> <p>PRODUCT CUSTOMER DRAWING</p> <p>DOCUMENT NUMBER: SD-76410-004    DOC TYPE: PSD    DOC PART: 001    REVISION: F3</p> <p>MATERIAL NUMBER: SEE TABLE    CUSTOMER: GENERAL MARKET    SHEET NUMBER: 2 OF 2</p>					
GENERAL TOLERANCES (UNLESS SPECIFIED)									
ANGULAR TOL		± 0.5°							
4 PLACES		±							
3 PLACES		±							
2 PLACES		± 0.13		INITIAL REVISION:		2008/10/23			
1 PLACE		± 0.25		DRWN: JLAURX		2008/10/27			
0 PLACES		±		APPR: JLAURX					
DRAFT WHERE APPLICABLE MUST REMAIN WITHIN DIMENSIONS				THIRD ANGLE PROJECTION		DRAWING		SERIES	
						C-SIZE		76410	