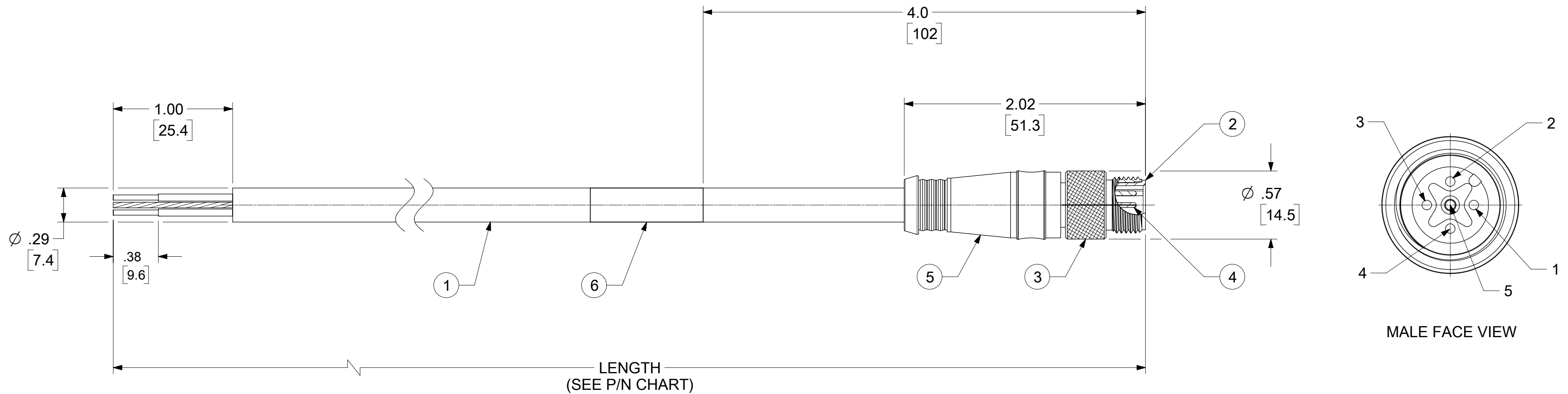
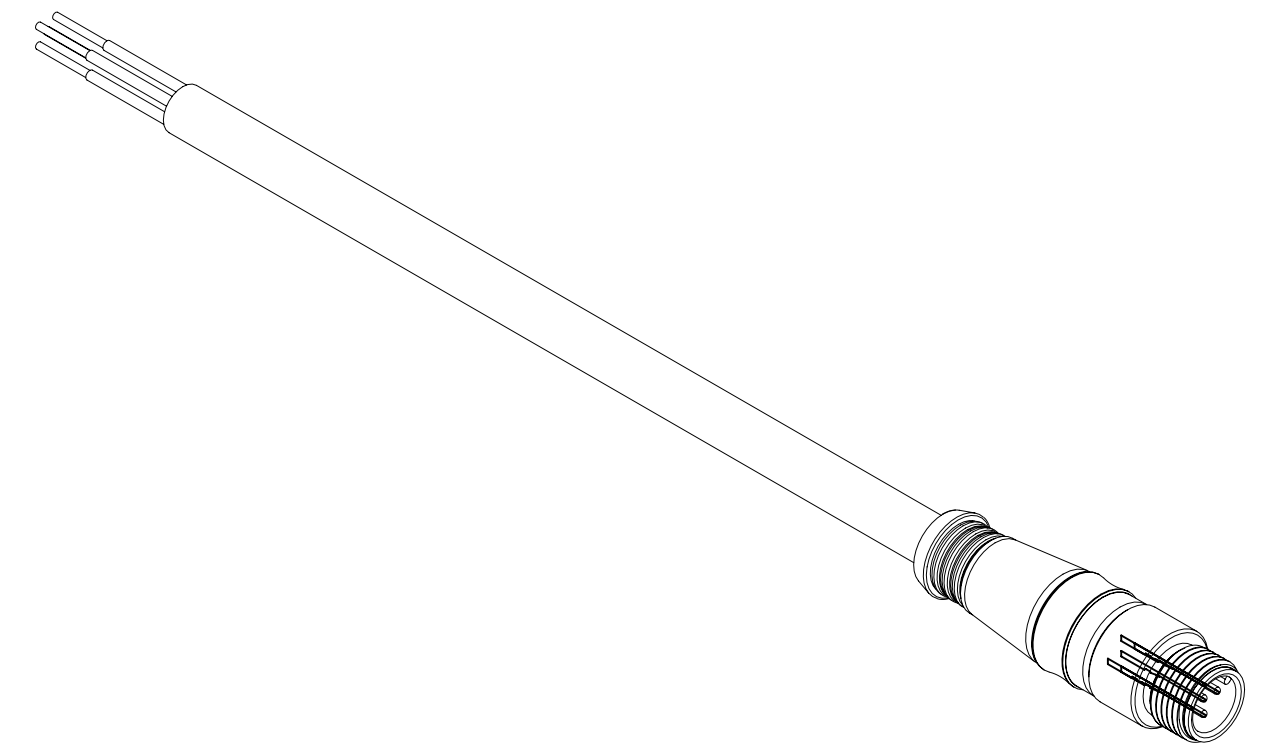


PART NO.	ENG. NO.	LENGTH
848548021	84854-8021	0.5M
848548022	84854-8022	1.0M
848548023	84854-8023	2.0M
848548024	84854-8024	3.0M
848548025	84854-8025	4.0M
848548026	84854-8026	5.0M
848548027	84854-8027	6.0M
848548036	84854-8036	10.0M

CABLE LENGTH TOLERANCES	
>.3M [1FT]:	+19mm-0 [+.75in-0]
.3 - .9M [1 - 3FT]:	+44.5mm-0 [+1.75in-0]
.9 - 1.8M [3 - 6FT]:	+55.6mm-0 [+2.19in-0]
1.8 - 3.7M [6 - 12FT]:	+88.9mm-0 [+3.50in-0]
3.7 - 7.3M [12 - 24FT]:	+165.1mm-0 [+6.50in-0]
7.3-14.6M [24 - 48FT]:	+317.5mm-0 [+12.50in-0]
14.6 - 30.5M [48-100FT]:	+622.3mm-0 [+24.50in-0]
OVER 30M [100FT]	+2% OF FINISHED LENGTH



- NOTES:
1. MATERIAL: AS NOTED
 2. FINISH: AS NOTED
 3. ELECTRICAL:
VOLTAGE: 250V
CURRENT: 4A
 4. TEMP RATING: -20°TO +80°C
 5. PROTECTION: IP67 (WHEN MATED)
 6. COUPLING THREAD: M12 X 1.0
 7. ALL DIMS ARE FOR REFERENCE UNLESS TOLERANCED OR NOTED OTHERWISE

MALE

DRAIN	1
RED +V	2
BLACK-V	3
WHITE CAN H	4
BLUE CAN L	5

WIRE DIAGRAM

ITEM	DESCRIPTION	MATERIAL	FINISH
6	WRAP LABEL	VINYL	BLACK/YELLOW
5	OVERMOLD	TPC ©	GRAY
4	CONTACT PINS	Cu ALLOY	GOLD PLATED
3	COUPLING, MALE THREAD	BRASS	NICKEL PLATED
2	INSULATOR, 5P, MALE	NYLON	BLACK
1	CABLE, DEV-NET, 22AWG	PVC	GRAY

THIS DRAWING CONTAINS INFORMATION THAT IS PROPRIETARY TO MOLEX ELECTRONIC TECHNOLOGIES, LLC AND SHOULD NOT BE USED WITHOUT WRITTEN PERMISSION

DIMENSION UNITS	SCALE	CURRENT REV DESC: OBSOLETE PART NUMBERS		molex						
INCH/MM	1.5:1									
GENERAL TOLERANCES (UNLESS SPECIFIED)		EC NO: 638770		MICRO-CHANGE CORD ASSEMBLY MALE, 5P, M12, 22AWG, NMEA						
ANGULAR TOL	± °	4 PLACES	±	DRWN: RPRABHUM	2020/04/22	PRODUCT CUSTOMER DRAWING				
		3 PLACES	±	CHK'D: GGA	2020/07/21					
		2 PLACES	±	APPR: GGA	2020/07/21	DOCUMENT NUMBER				
		1 PLACE	±	INITIAL REVISION:						
		0 PLACES	±	DRWN: RSTONE	2007/08/20	SD-84854-018				
				APPR: JMACNEIL	2007/09/24					
DRAFT WHERE APPLICABLE MUST REMAIN WITHIN DIMENSIONS		THIRD ANGLE PROJECTION	DRAWING	SERIES	MATERIAL NUMBER	CUSTOMER	DOC TYPE	DOC PART	REVISION	SHEET NUMBER
			C-SIZE	84854	SEE P/N CHART	GENERAL MARKET	PSD	001	D	1 OF 1