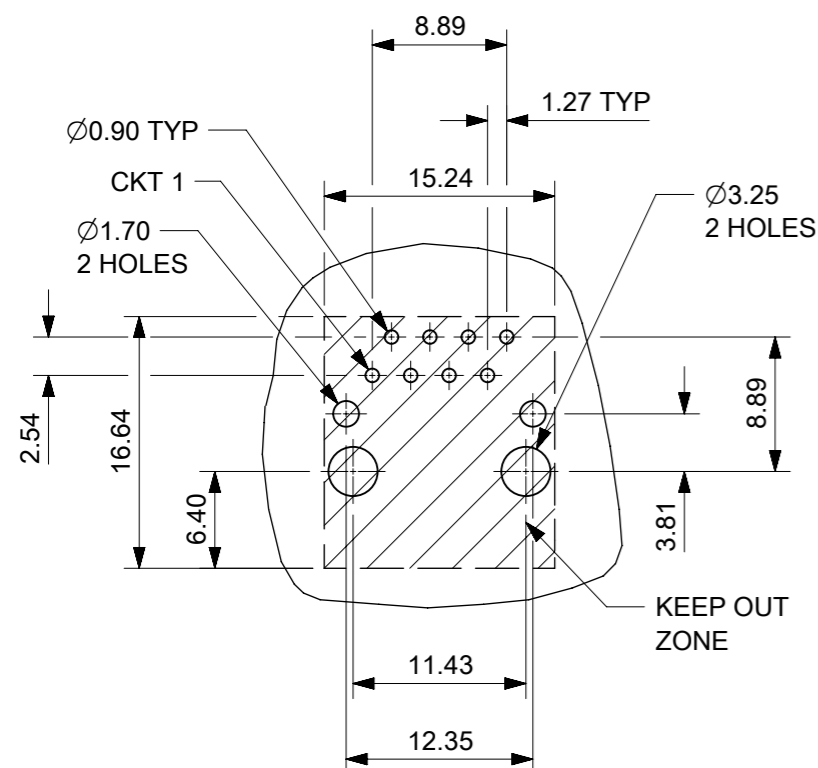
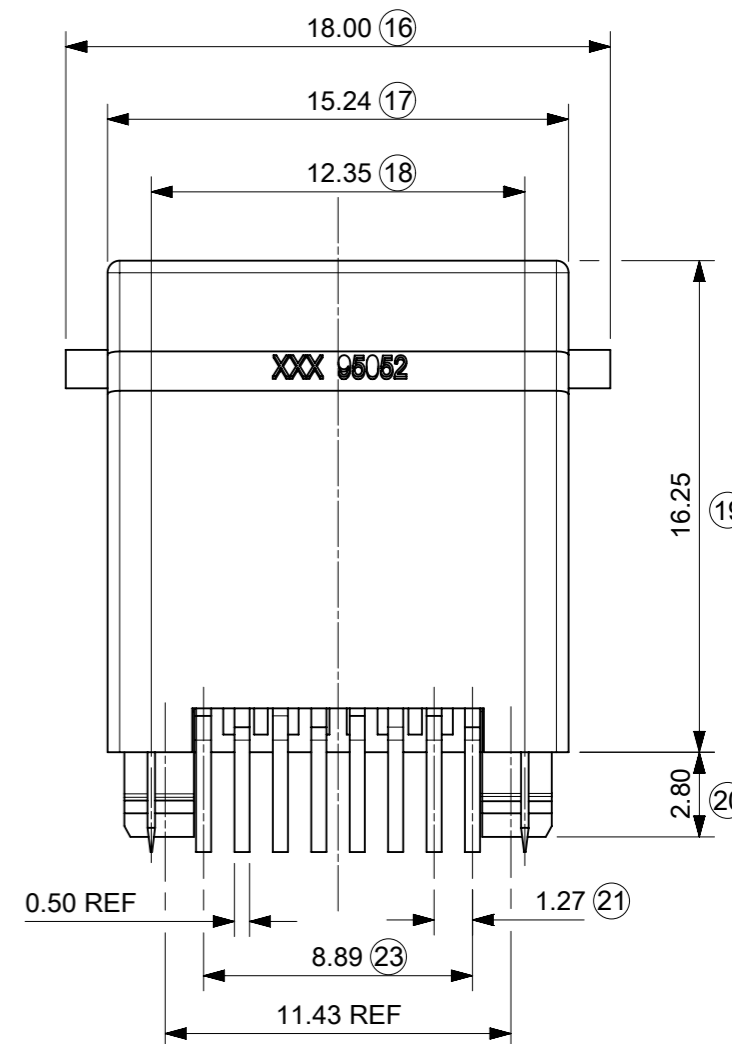
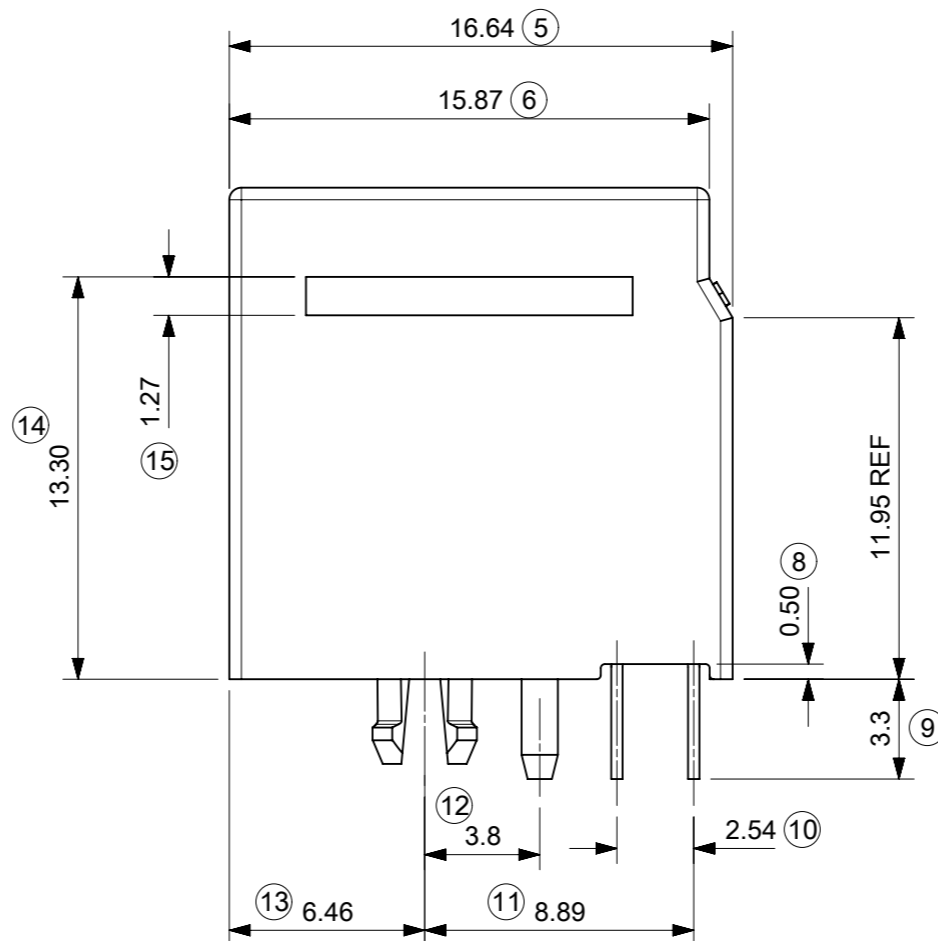
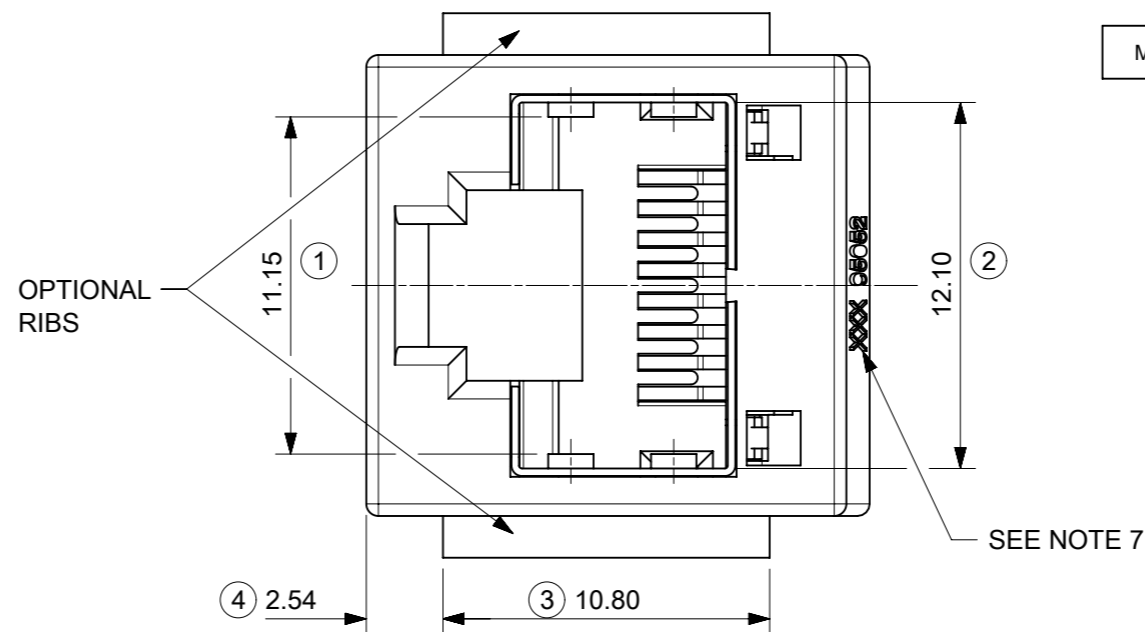


NOTES:

- MATERIAL:**  
HOUSING: LCP FIBER GLASS FILLED UL 94-V0 COLOR: BLACK  
TERMINAL: PHOSPOR BRONZE.  
**PLATING:**  
BASE FINISH: NICKEL  
CONTACT SURFACE FINISH:  
GOLD,  
OR  
GOLD FLASH OVER PALLADIUM NICKEL.  
EXCEEDS PRODUCT REQUIREMENTS BASED ON PS-85507-001  
SHIELD: COPPER ALLOY PLATED WITH TIN
- JACK FOR MATING WITH IEC 60603-7 AND TIA-1096-A SHIELDED PLUGS (95043 MOLEX SERIES).
- PRODUCT SPECIFICATION PS-85507-001
- PACKAGING SPECIFICATION PK-95022 (TRAY PACKAGING).
- EXCEEDS CATEGORY 5E PERFORMANCE.
- PC BOARD THICKNESS: 1.57
- MANUFACTURING I.D. CAN BE MG, MXF, MXI OR MXCH.
- APPLICATION SPECIFICATION: AS-85513-001

LAST INSPECTION NO.: 23  
REMOVED INSPECTION NO: 7, 22

	JACKS WITH RIBS	JACKS WITHOUT RIBS	
MATERIAL NO.	85507-5001	85507-5002	



P.C.B. MOUNTING PATTERN  
(VIEW FROM COMPONENT SIDE)  
SCALE 2:1  
ALL DIMENSIONS REFERENCE ONLY

THIS DRAWING CONTAINS INFORMATION THAT IS PROPRIETARY TO MOLEX ELECTRONIC TECHNOLOGIES, LLC AND SHOULD NOT BE USED WITHOUT WRITTEN PERMISSION									
DIMENSION UNITS	SCALE	CURRENT REV DESC: REMASTERED USING 3D MODELS							
mm	4:1	<p>TOP ENTRY HIGH SPEED SHIELDED MODULAR JACK THROUGH HOLE 8 CIRCUIT</p> <p>PRODUCT CUSTOMER DRAWING</p>							
GENERAL TOLERANCES (UNLESS SPECIFIED)									
ANGULAR TOL	± 2.0°								
4 PLACES	±								
3 PLACES	±								
2 PLACES	± 0.15								
1 PLACE	± 0.25	EC NO: 686824	DRWN: AKUMAR19	2021/08/04	DOCUMENT NUMBER: SD-85507-501 DOC TYPE: PSD DOC PART: 001 REVISION: F2				
0 PLACES	±	CHK'D: KLANG	APPR: KLANG	2022/01/11					
DRAFT WHERE APPLICABLE MUST REMAIN WITHIN DIMENSIONS		INITIAL REVISION:	DRWN: DBYRNES	2007/01/22					
THIRD ANGLE PROJECTION		DRAWING	SERIES	MATERIAL NUMBER	CUSTOMER	SHEET NUMBER			
		A3-SIZE	85507	SEE CHART	GENERAL MARKET	1 OF 1			