

NOTES:

1.MATERIALS:

1-1.HOUSING: SEE TABLE ,GLASS FIBER FILLED UL94V-0,  
COLOR: SEE TABLE.

1-2.CONTACT: SEE TABLE

2.PLATING:

2-1.CONTACT AREA: GOLD, THICKNESS : SEE TABLE .

2-2.SOLDER TAIL: 100 MICROINCH MIN. TIN PLATING.

2-3.UNDER PLATING: 50 MICROINCH MIN. NICKEL PLATING OVERALL.

3.WEEK CODE: XX(YEAR) XX(WEEK) X(LOCATION).

4.PRODUCT SPECIFICATION REFER TO PS-87715-200.

5.PACKAGING SPECIFICATION REFER TO PK-87715-207.

6.TEST SUMMARY:REFER TO TS-87715-207.

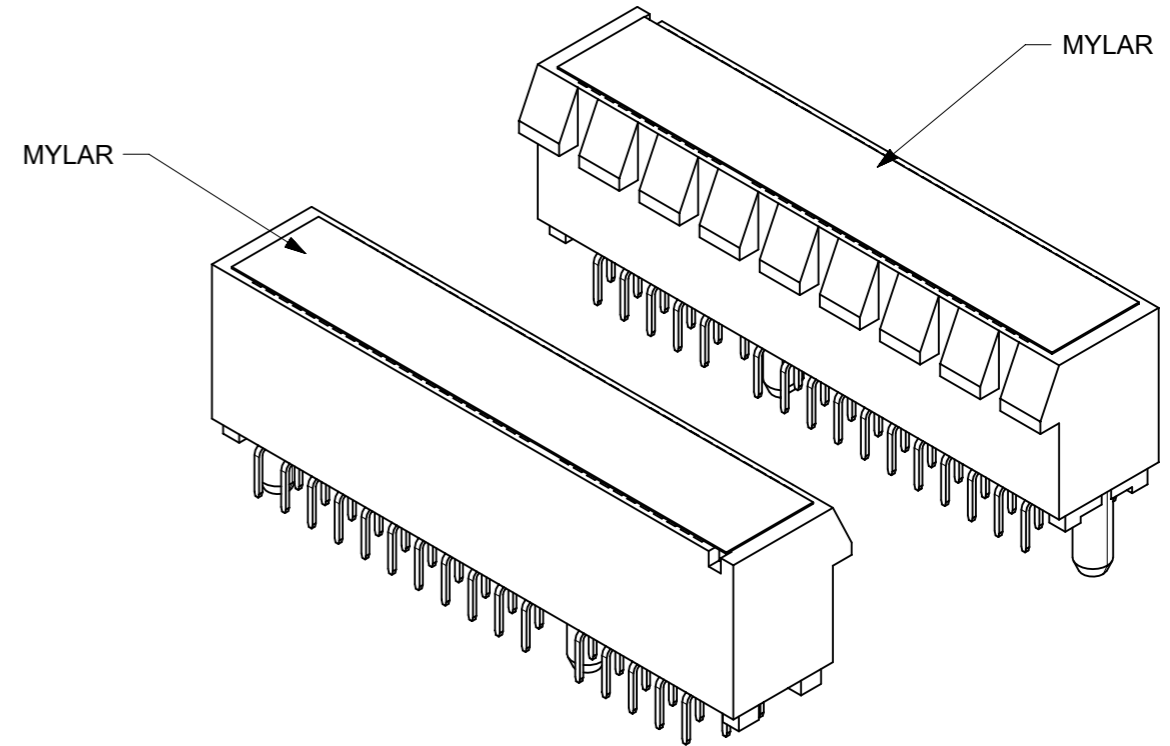
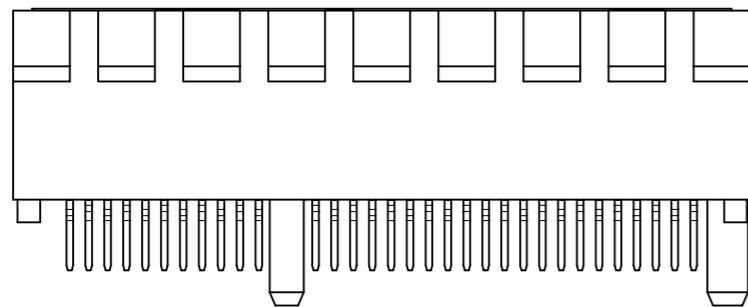
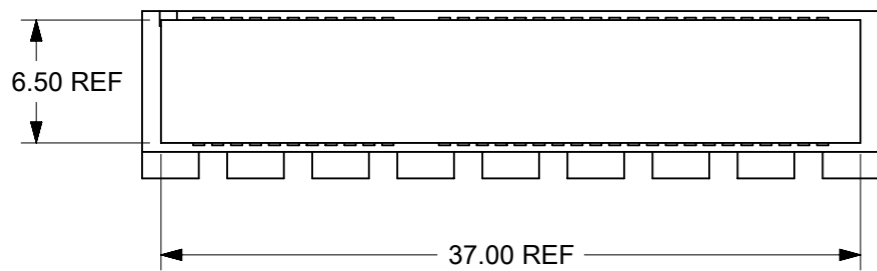
7.LEAD FREE AND ROHS COMPLIANCE PRODUCT.

CONNECTOR LINK WIDTH	# POS REF	N	DIM "A"	DIM "B"	DIM "C"
X1	36	6	7.65	25.00	9.15
X4	64	20	21.65	39.00	23.15
X8	98	37	38.65	56.00	40.15
X16	164	70	71.65	89.00	73.15

PCB THK (REF)	DIM "D"
1.60	2.30
1.58	2.54
2.36	3.00

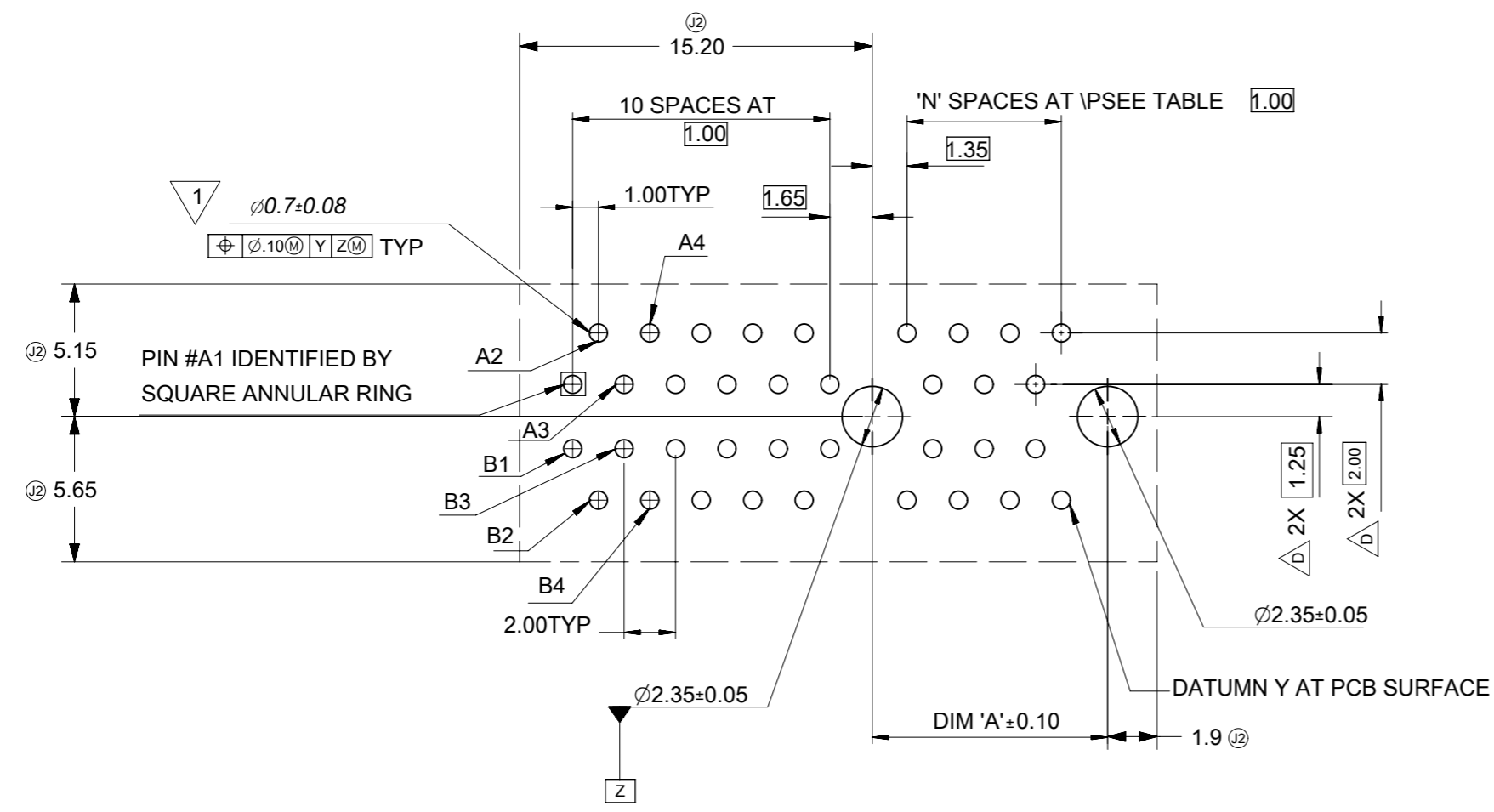
THIS DRAWING CONTAINS INFORMATION THAT IS PROPRIETARY TO MOLEX ELECTRONIC TECHNOLOGIES, LLC AND SHOULD NOT BE USED WITHOUT WRITTEN PERMISSION									
DIMENSION UNITS		SCALE		CURRENT REV DESC: OBSOLETE PART NUMBER AS PER PCN#509451				<b>molex</b>	
mm		NTS							
GENERAL TOLERANCES (UNLESS SPECIFIED)				EC NO: 686785		2021/09/24		PCI EXPRESS	
				DRWN: SUGEEB		2022/02/28		EDGE CARD CONNECTOR (LEAD FREE VERSION)	
				CHK'D: GGA		2022/02/28		PRODUCT CUSTOMER DRAWING	
				APPR: GGA		2022/02/28		DOCUMENT NUMBER	
4 PLACES ±				INITIAL REVISION:		2004/07/20		SD-87715-207	
3 PLACES ±				DRWN: TOM		2004/07/20		DOC TYPE	
2 PLACES ± 0.25				APPR: WILSON		2004/07/20		PSD	
1 PLACE ± 0.25				ANGULAR TOL ± 3.0°				DOC PART	
0 PLACES ±				DRAFT WHERE APPLICABLE MUST REMAIN WITHIN DIMENSIONS		THIRD ANGLE PROJECTION		001	
				DRAWING		SERIES		REVISION	
				A3-SIZE		87715		J3	
				MATERIAL NUMBER		CUSTOMER		SHEET NUMBER	
				SEE TABLE		GENERAL MARKET		1 OF 5	

MOLEX P/N	CIRCUIT SIZE	HOUSING MATERIAL	HOUSING COLOR	TERMINAL MATERIAL	CONTACT PLATING	SOLDER TAIL "D" LENGTH	NOTES
87715-9154	64	NYLON46	BLACK	PHOSPHOR BRONZE	30 MICROINCH	2.54	WITH MYLAR



THIS DRAWING CONTAINS INFORMATION THAT IS PROPRIETARY TO MOLEX ELECTRONIC TECHNOLOGIES, LLC AND SHOULD NOT BE USED WITHOUT WRITTEN PERMISSION									
DIMENSION UNITS		SCALE		CURRENT REV DESC: OBSOLETE PART NUMBER AS PER PCN#509451				<b>molex</b>	
mm		NTS							
GENERAL TOLERANCES (UNLESS SPECIFIED)				EC NO: 686785		2021/09/24		PCI EXPRESS	
				DRWN: SUGEEB		2022/02/28		EDGE CARD CONNECTOR (LEAD FREE VERSION)	
				CHK'D: GGA		2022/02/28		PRODUCT CUSTOMER DRAWING	
				APPR: GGA		2022/02/28			
				INITIAL REVISION:					
				DRWN: TOM		2004/07/20		DOCUMENT NUMBER	
				APPR: WILSON		2004/07/20		SD-87715-207	
				ANGULAR TOL ± 3.0°				DOC TYPE	
				DRAFT WHERE APPLICABLE MUST REMAIN WITHIN DIMENSIONS		THIRD ANGLE PROJECTION		DOC PART	
						DRAWING		REVISION	
						A3-SIZE		001	
						SERIES		J3	
						87715		MATERIAL NUMBER	
						SEE TABLE		CUSTOMER	
						GENERAL MARKET		SHEET NUMBER	
						2 OF 5			

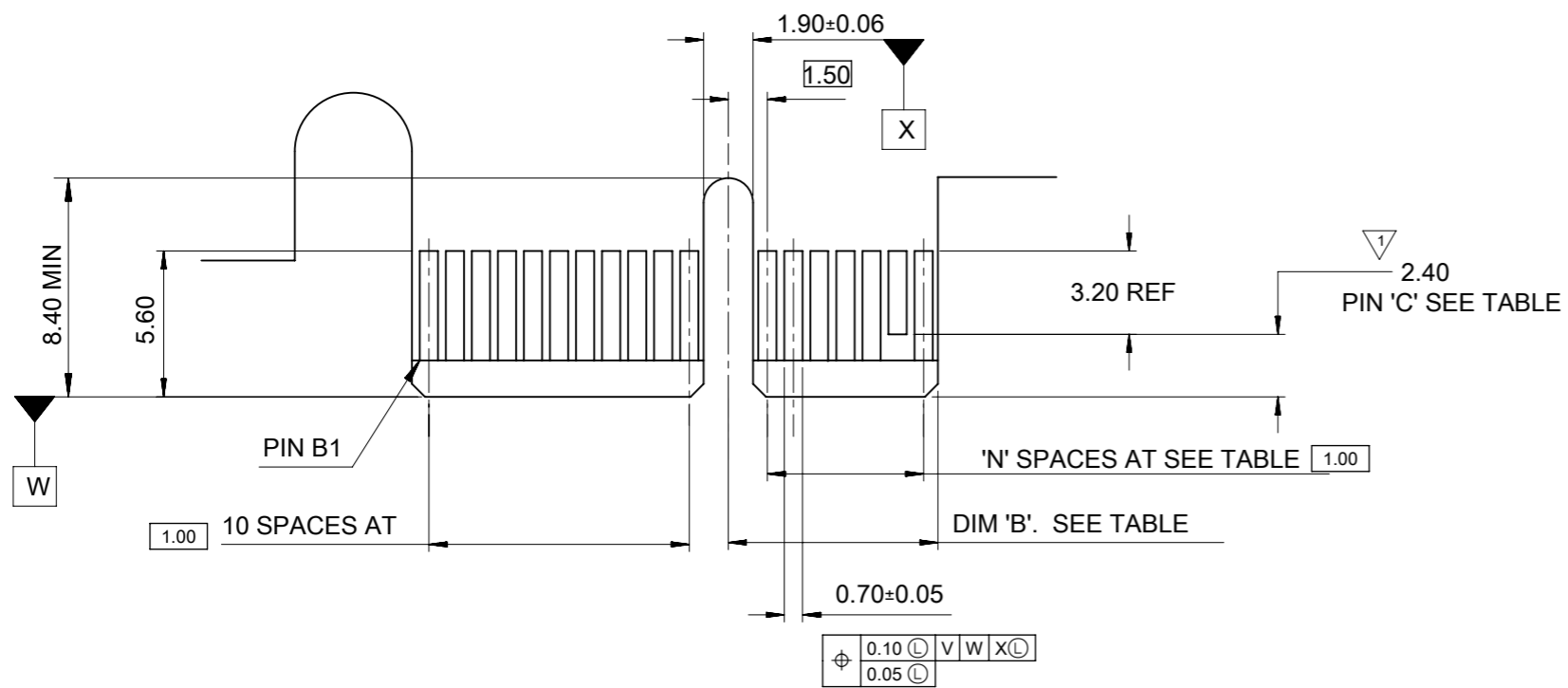
DOCUMENT STATUS	P1	RELEASE DATE	2022/02/28	11:53:53
-----------------	----	--------------	------------	----------



1 THE HORIZONTAL AXIS FOR THE HOLE PATTERN IS ESTABLISHED BY A LINE THROUGH THE CENTER OF THE TWO  $\varnothing 2.35$  HOLES. THE VERTICAL AXIS IS 90° TO THE HORIZONTAL AXIS. THROUGH THE CENTER OF DATUM Z

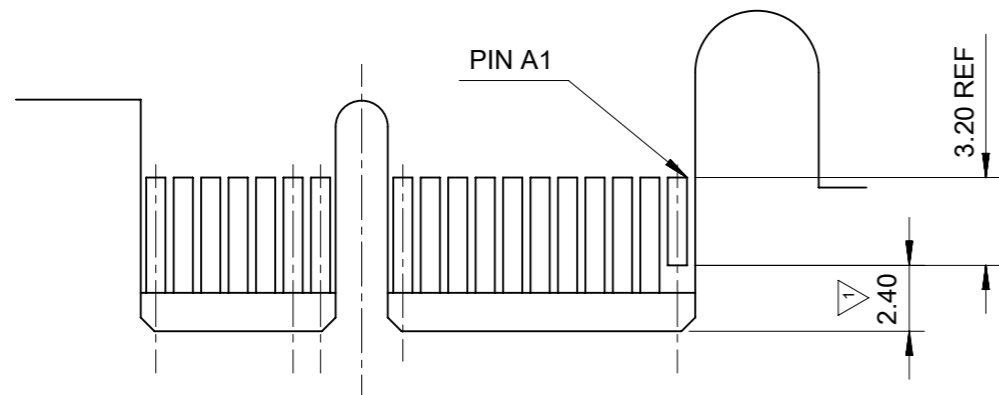
CONNECTOR LINK WIDTH	# POS REF	N	DIM 'A'
X1	36	6	9.15
X4	64	20	23.15
X8	98	37	40.15
X16	164	70	73.15

THIS DRAWING CONTAINS INFORMATION THAT IS PROPRIETARY TO MOLEX ELECTRONIC TECHNOLOGIES, LLC AND SHOULD NOT BE USED WITHOUT WRITTEN PERMISSION									
DIMENSION UNITS <b>mm</b>		SCALE <b>NTS</b>		CURRENT REV DESC: OBSOLETE PART NUMBER AS PER PCN#509451				<b>molex</b>	
GENERAL TOLERANCES (UNLESS SPECIFIED)				EC NO: 686785					
				DRWN: SUGEEB 2021/09/24				PCI EXPRESS	
				CHK'D: GGA 2022/02/28				EDGE CARD CONNECTOR (LEAD FREE VERSION)	
				APPR: GGA 2022/02/28				PRODUCT CUSTOMER DRAWING	
				INITIAL REVISION:				DOCUMENT NUMBER	
				DRWN: TOM 2004/07/20				SD-87715-207	
				APPR: WILSON 2004/07/20				PSD 001 J3	
ANGULAR TOL ± 3.0°		THIRD ANGLE PROJECTION		DRAWING		SERIES		MATERIAL NUMBER	
DRAFT WHERE APPLICABLE MUST REMAIN WITHIN DIMENSIONS		THIRD ANGLE PROJECTION		DRAWING		SERIES		CUSTOMER	
				A3-SIZE		87715		SEE TABLE	
						GENERAL MARKET		SHEET NUMBER	
								3 OF 5	



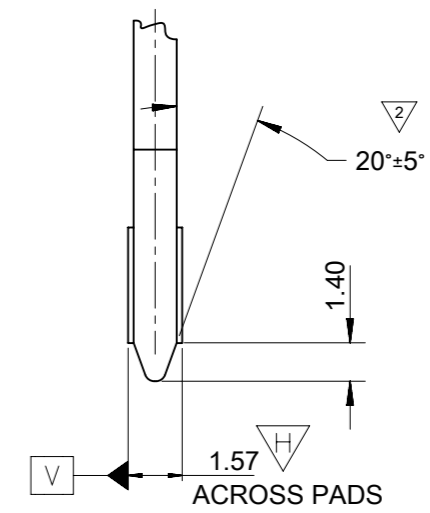
← I/O PANEL DIRECTION

PRIMARY (COMPONENT) SIDE



I/O PANEL DIRECTION →

SECONDARY (SOLDER) SIDE



- 1 NO TIE BAR PERMITTED FROM CARD EDGE TO LEADING EDGE OF PAD FOR PINS A1 AND "C".
- 2 CHAMFER EDGES MUST BE FREE OF CUTTING BURRS.
- 3. TOLERANCE: .XX±.13

CONNECTOR LINK WIDTH	# POS REF	N	DIM 'B'	'C' 1
X1	36	6	8.15	B17
X4	64	20	22.15	B17, B31
X8	98	37	39.15	B17, B31 B48
X16	164	70	72.15	B17, B31 B48, B81

THIS DRAWING CONTAINS INFORMATION THAT IS PROPRIETARY TO MOLEX ELECTRONIC TECHNOLOGIES, LLC AND SHOULD NOT BE USED WITHOUT WRITTEN PERMISSION											
DIMENSION UNITS <b>mm</b>		SCALE <b>NTS</b>		CURRENT REV DESC: OBSOLETE PART NUMBER AS PER PCN#509451				<b>molex</b>		PCI EXPRESS EDGE CARD CONNECTOR (LEAD FREE VERSION)	
GENERAL TOLERANCES (UNLESS SPECIFIED)				EC NO: 686785 DRWN: SUGEEB 2021/09/24 CHK'D: GGA 2022/02/28 APPR: GGA 2022/02/28							
4 PLACES ±		MM INCH		INITIAL REVISION:				DOCUMENT NUMBER		DOC TYPE DOC PART REVISION	
3 PLACES ±				DRWN: TOM 2004/07/20				SD-87715-207		PSD 001 J3	
2 PLACES ± 0.25				APPR: WILSON 2004/07/20				MATERIAL NUMBER		CUSTOMER	
1 PLACE ± 0.25				ANGULAR TOL ± 3.0°				SEE TABLE		GENERAL MARKET	
0 PLACES ±				DRAFT WHERE APPLICABLE MUST REMAIN WITHIN DIMENSIONS				THIRD ANGLE PROJECTION		DRAWING SERIES SHEET NUMBER	
				A3-SIZE 87715				4 OF 5			

MOLEX P/N	CIRCUIT SIZE	HOUSING MATERIAL	HOUSING COLOR	TERMINAL MATERIAL	CONTACT PLATING	SOLDER TAIL "D" LENGTH	NOTES
87715-9100	64	NYLON46	BLACK	PHOSPHOR BRONZE	GOLD FLASH	2.54	WITHOUT MYLAR
87715-9105					15 MICROINCH	3.00	
87715-9106					30 MICROINCH	2.54	

MOLEX P/N	CIRCUIT SIZE	HOUSING MATERIAL	HOUSING COLOR	TERMINAL MATERIAL	CONTACT PLATING	SOLDER TAIL "D" LENGTH	NOTES
87715-9202	98	NYLON46	BLACK	PHOSPHOR BRONZE	15 MICROINCH	2.54	WITHOUT MYLAR
87715-9205					15 MICROINCH	3.00	
87715-9206					30 MICROINCH	2.54	

THIS DRAWING CONTAINS INFORMATION THAT IS PROPRIETARY TO MOLEX ELECTRONIC TECHNOLOGIES, LLC AND SHOULD NOT BE USED WITHOUT WRITTEN PERMISSION									
DIMENSION UNITS		SCALE		CURRENT REV DESC: OBSOLETE PART NUMBER AS PER PCN#509451				<b>molex</b>	
mm		NTS							
GENERAL TOLERANCES (UNLESS SPECIFIED)				EC NO: 686785		2021/09/24		PCI EXPRESS EDGE CARD CONNECTOR (LEAD FREE VERSION)	
				DRWN: SUGEEB		2022/02/28			
				CHK'D: GGA		2022/02/28		PRODUCT CUSTOMER DRAWING	
				APPR: GGA					
				INITIAL REVISION:				DOCUMENT NUMBER <b>SD-87715-207</b>	
				DRWN: TOM		2004/07/20			
				APPR: WILSON		2004/07/20		DOC TYPE PSD	
				ANGULAR TOL ± 3.0°				DOC PART 001	
								REVISION J3	
DRAFT WHERE APPLICABLE MUST REMAIN WITHIN DIMENSIONS				THIRD ANGLE PROJECTION		DRAWING A3-SIZE		SERIES 87715	
						MATERIAL NUMBER SEE TABLE		CUSTOMER GENERAL MARKET	
								SHEET NUMBER 5 OF 5	

DOCUMENT STATUS	P1	RELEASE DATE	2022/02/28	11:53:53
-----------------	----	--------------	------------	----------