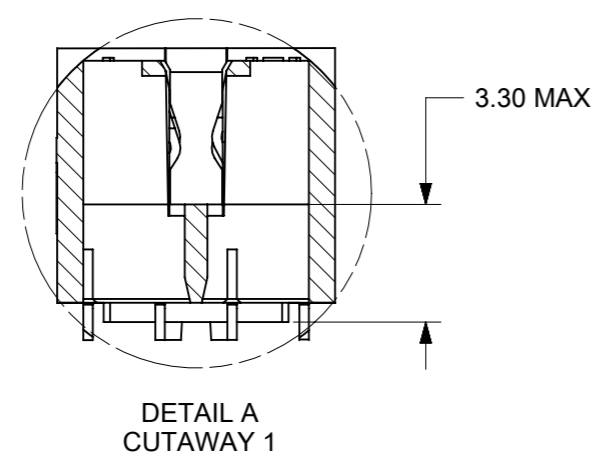
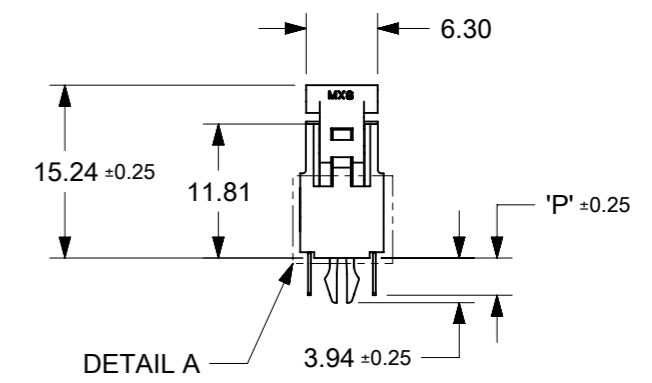
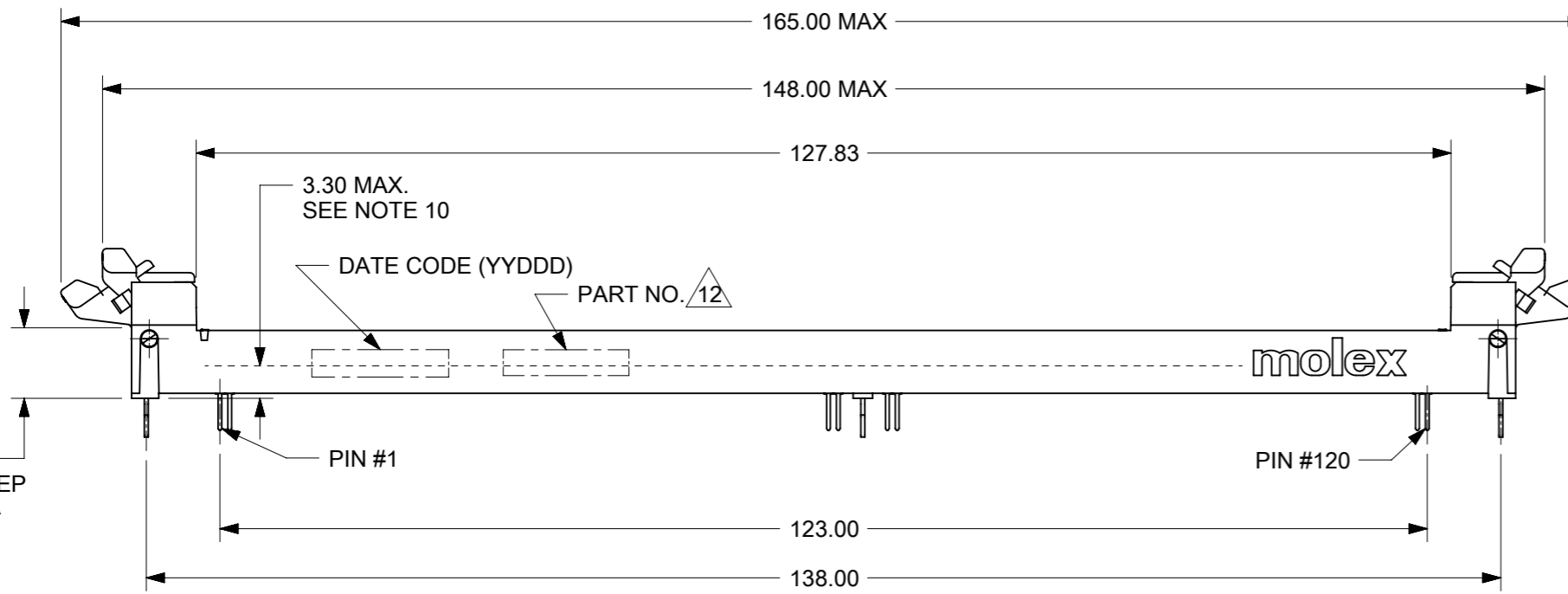
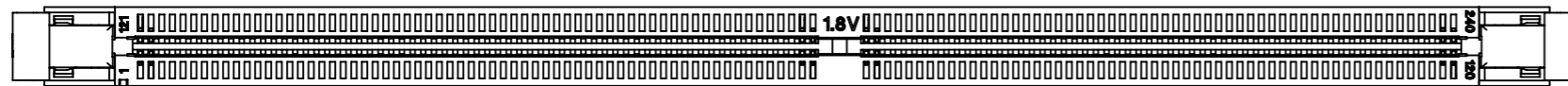
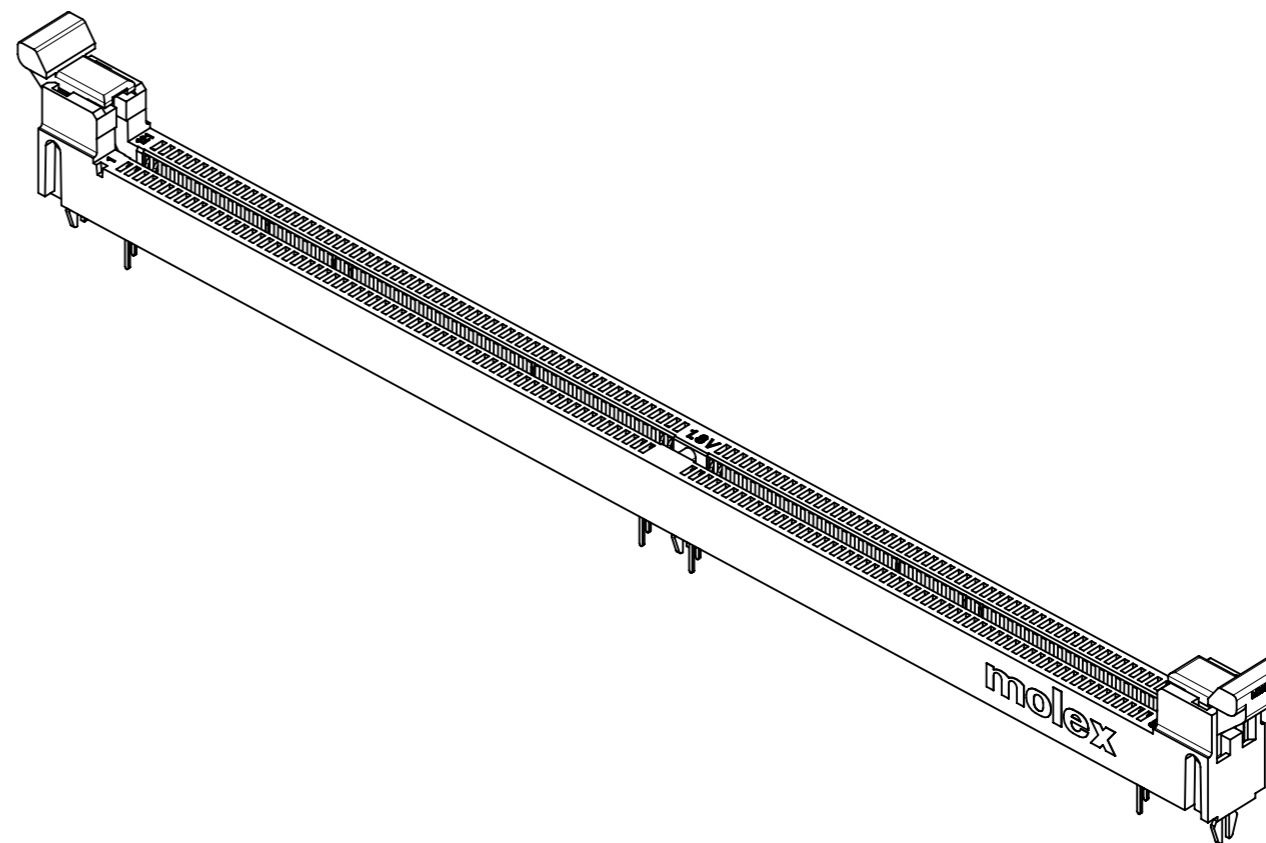
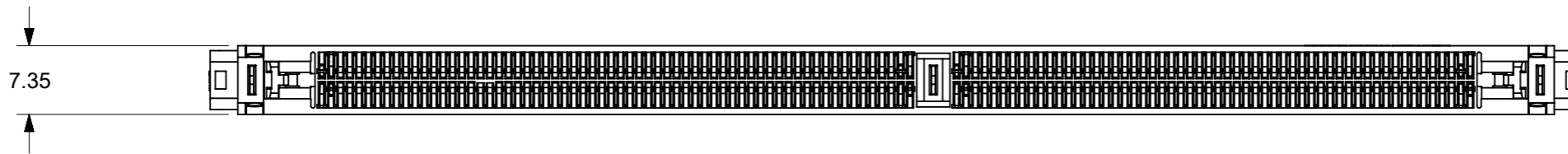


NOTES:

1. MATERIALS  
 HOUSING - HIGH TEMP. NYLON GLASS FILLED, UL 94 V-0, BLACK.  
 EJECTOR - HIGH TEMP. NYLON GLASS FILLED, UL 94 V-0, BLACK.  
 TERMINAL - COPPER ALLOY
2. PLATING - SEE TABLE IN SHEET 5.
3. CARD SLOT ACCEPTS 1.27±0.10 MM MODULE THICKNESS.  
 (MEASURED OVER P.C. PADS)
4. RECOMMENDED MODULE LAYOUT SHALL BE AS PER JEDEC MO-237.
5. REFER TO PRODUCT SPEC. PS-87978-013 FOR PERFORMANCE SPECIFICATIONS.
6. PRODUCT SHALL BE PACKED IN TRAY.
7. PRODUCT SHALL HAVE DATE CODE STAMPED ON SIDE OF HOUSING.
8. KEEP OUT AREA IS THE AREA WHERE THE CONNECTOR IS MOUNTED ONTO THE PCB WHICH DOES NOT INCLUDE THE LATCH.
9. REFER TO CRITICAL JEDEC INFORMATION FOR SOCKET OUTLINE PER SO-001.
10. DIMM MODULE SEATING PLANE FROM TOP OF PCB.
11. CONTACT MOLEX FOR AVAILABILITY OF PRODUCT OPTIONS.
12. PART NUMBER SHALL BE MARKED LEGIBLY AS 87978-\*\*\*\*



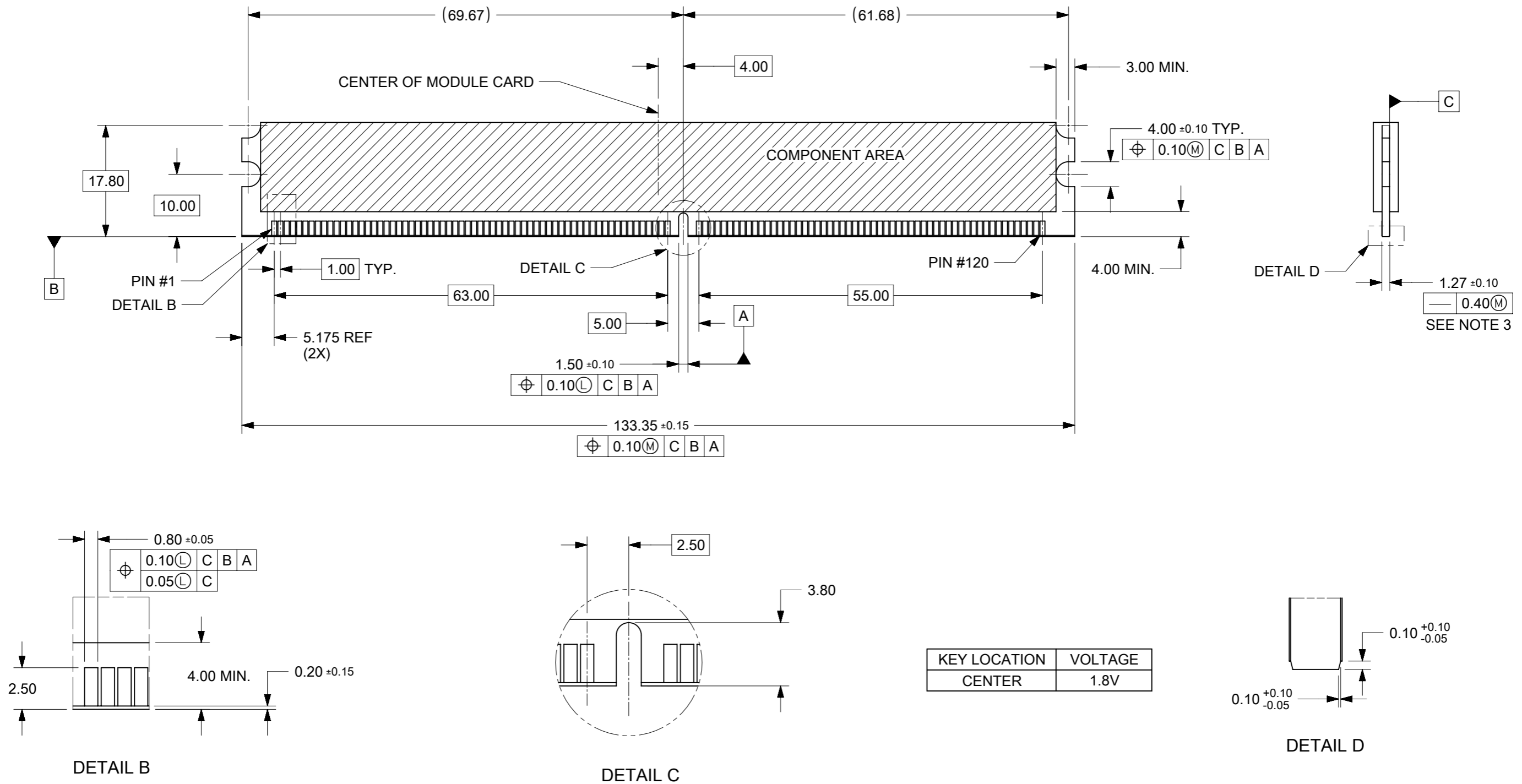
THIS DRAWING CONTAINS INFORMATION THAT IS PROPRIETARY TO MOLEX ELECTRONIC TECHNOLOGIES, LLC AND SHOULD NOT BE USED WITHOUT WRITTEN PERMISSION											
DIMENSION UNITS		SCALE		CURRENT REV DESC: OBSOLETE PART NUMBER						<b>molex</b>	
mm		NTS									
GENERAL TOLERANCES (UNLESS SPECIFIED)				EC NO: 655037		2021/01/13		DDR2 DIMM, 1MM PITCH 240 CKTS, FORK-LOCK VERS VLP LATCH			
				DRWN: VLOKESHA		2021/03/16					
				CHK'D: GGA		2021/03/16		PRODUCT CUSTOMER DRAWING			
				APPR: GGA		2021/03/16					
				INITIAL REVISION:				DOCUMENT NUMBER: SD-87978-001 DOC TYPE: PSD DOC PART: 001 REVISION: B1			
				DRWN: CCTEH		2005/01/03					
				APPR: GGLEE		2005/08/30					
ANGULAR TOL ± 5.0°				DRAFT WHERE APPLICABLE MUST REMAIN WITHIN DIMENSIONS		THIRD ANGLE PROJECTION		DRAWING: A3-SIZE		SERIES: 87978	
								MATERIAL NUMBER: SEE TABLE		CUSTOMER: GENERAL MARKET	
										SHEET NUMBER: 1 OF 5	



THIS DRAWING CONTAINS INFORMATION THAT IS PROPRIETARY TO MOLEX ELECTRONIC TECHNOLOGIES, LLC AND SHOULD NOT BE USED WITHOUT WRITTEN PERMISSION															
DIMENSION UNITS		SCALE		CURRENT REV DESC: OBSOLETE PART NUMBER											
mm		NTS													
GENERAL TOLERANCES (UNLESS SPECIFIED)				EC NO: 655037 DRWN: VLOKESHA 2021/01/13 CHK'D: GGA 2021/03/16 APPR: GGA 2021/03/16 INITIAL REVISION: DRWN: CCTEH 2005/01/03 APPR: GGLEE 2005/08/30				DDR2 DIMM, 1MM PITCH 240 CKTS, FORK-LOCK VERS VLP LATCH							
								PRODUCT CUSTOMER DRAWING							
4 PLACES ±		±						DOCUMENT NUMBER		DOC TYPE		DOC PART		REVISION	
3 PLACES ±		±						SD-87978-001		PSD		001		B1	
2 PLACES ±		0.2 ±						MATERIAL NUMBER		CUSTOMER				SHEET NUMBER	
1 PLACE ±		±		SEE TABLE		GENERAL MARKET				2 OF 5					
0 PLACES ±		±													
ANGULAR TOL ± 5.0°				THIRD ANGLE PROJECTION		DRAWING		SERIES							
DRAFT WHERE APPLICABLE MUST REMAIN WITHIN DIMENSIONS						A3-SIZE		87978							

DOCUMENT STATUS	P1	RELEASE DATE	2021/03/16	13:03:18
-----------------	----	--------------	------------	----------

RECOMMENDED MODULE LAYOUT

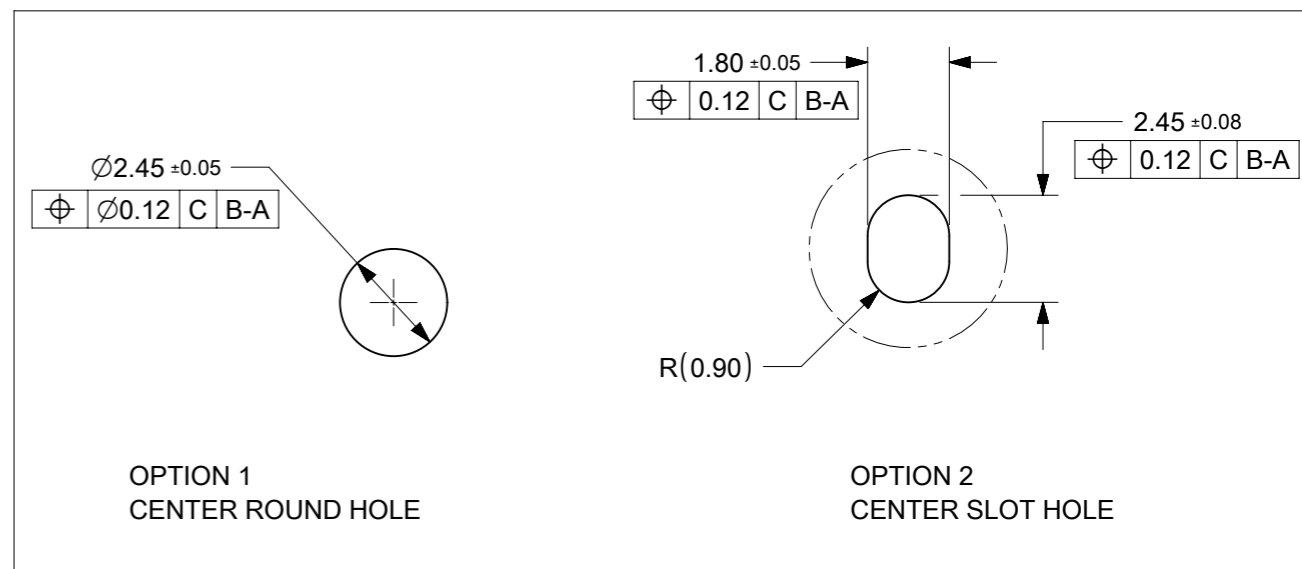


KEY LOCATION	VOLTAGE
CENTER	1.8V

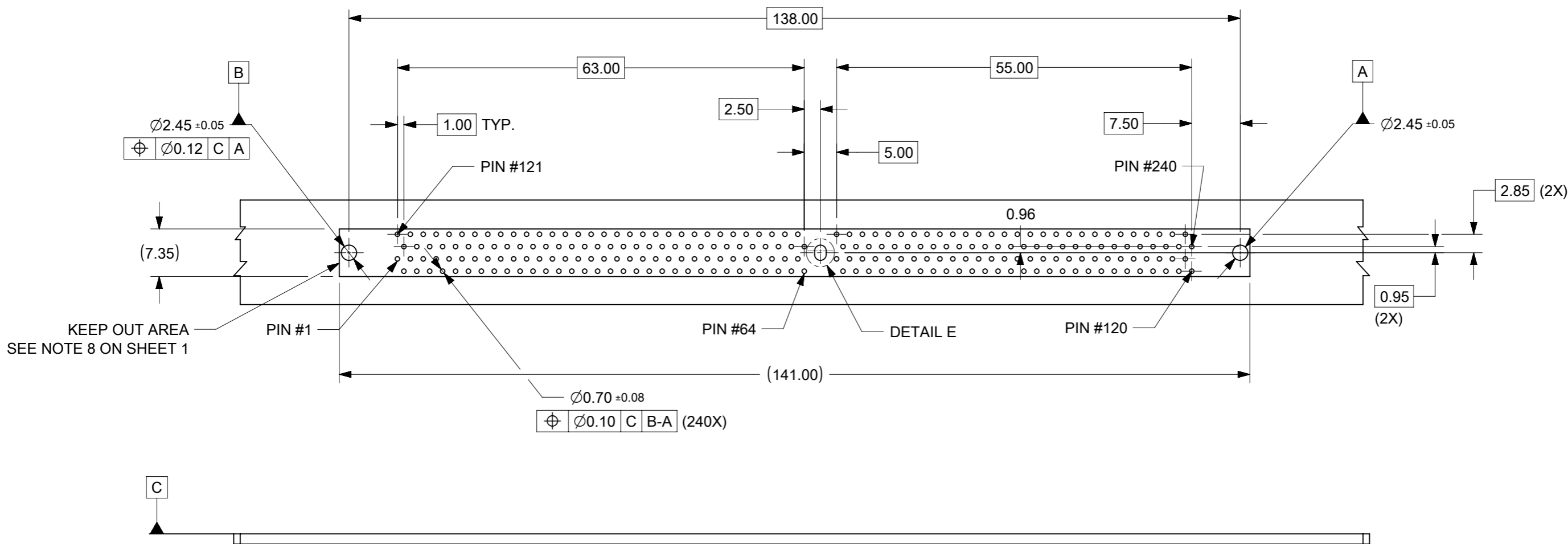
NOTES:  
1. MODULE CARD USED FOR TESTS ARE WITH 0.10MM CHAMFER.

THIS DRAWING CONTAINS INFORMATION THAT IS PROPRIETARY TO MOLEX ELECTRONIC TECHNOLOGIES, LLC AND SHOULD NOT BE USED WITHOUT WRITTEN PERMISSION		CURRENT REV DESC: OBSOLETE PART NUMBER																																																								
<table border="1"> <tr> <th>DIMENSION UNITS</th> <th>SCALE</th> </tr> <tr> <td>mm</td> <td>NTS</td> </tr> </table>		DIMENSION UNITS	SCALE			mm	NTS	<table border="1"> <tr> <th colspan="3">GENERAL TOLERANCES (UNLESS SPECIFIED)</th> </tr> <tr> <th></th> <th>MM</th> <th>INCH</th> </tr> <tr> <td>4 PLACES</td> <td>±</td> <td>±</td> </tr> <tr> <td>3 PLACES</td> <td>±</td> <td>±</td> </tr> <tr> <td>2 PLACES</td> <td>± 0.2</td> <td>±</td> </tr> <tr> <td>1 PLACE</td> <td>±</td> <td>±</td> </tr> <tr> <td>0 PLACES</td> <td>±</td> <td>±</td> </tr> <tr> <td colspan="2">ANGULAR TOL</td> <td>± 5.0°</td> </tr> </table>		GENERAL TOLERANCES (UNLESS SPECIFIED)				MM	INCH	4 PLACES	±	±	3 PLACES	±	±	2 PLACES	± 0.2	±	1 PLACE	±	±	0 PLACES	±	±	ANGULAR TOL		± 5.0°	<table border="1"> <tr> <td>EC NO: 655037</td> <td>2021/01/13</td> </tr> <tr> <td>DRWN: VLOKESHA</td> <td>2021/03/16</td> </tr> <tr> <td>CHK'D: GGA</td> <td>2021/03/16</td> </tr> <tr> <td>APPR: GGA</td> <td></td> </tr> <tr> <td colspan="2">INITIAL REVISION:</td> </tr> <tr> <td>DRWN: CCTEH</td> <td>2005/01/03</td> </tr> <tr> <td>APPR: GGLEE</td> <td>2005/08/30</td> </tr> </table>		EC NO: 655037	2021/01/13	DRWN: VLOKESHA	2021/03/16	CHK'D: GGA	2021/03/16	APPR: GGA		INITIAL REVISION:		DRWN: CCTEH	2005/01/03	APPR: GGLEE	2005/08/30	<table border="1"> <tr> <td colspan="3"> </td> </tr> <tr> <td colspan="3">DDR2 DIMM, 1MM PITCH 240 CKTS, FORK-LOCK VERS VLP LATCH</td> </tr> <tr> <td colspan="3">PRODUCT CUSTOMER DRAWING</td> </tr> </table>					DDR2 DIMM, 1MM PITCH 240 CKTS, FORK-LOCK VERS VLP LATCH			PRODUCT CUSTOMER DRAWING
DIMENSION UNITS	SCALE																																																									
mm	NTS																																																									
GENERAL TOLERANCES (UNLESS SPECIFIED)																																																										
	MM	INCH																																																								
4 PLACES	±	±																																																								
3 PLACES	±	±																																																								
2 PLACES	± 0.2	±																																																								
1 PLACE	±	±																																																								
0 PLACES	±	±																																																								
ANGULAR TOL		± 5.0°																																																								
EC NO: 655037	2021/01/13																																																									
DRWN: VLOKESHA	2021/03/16																																																									
CHK'D: GGA	2021/03/16																																																									
APPR: GGA																																																										
INITIAL REVISION:																																																										
DRWN: CCTEH	2005/01/03																																																									
APPR: GGLEE	2005/08/30																																																									
DDR2 DIMM, 1MM PITCH 240 CKTS, FORK-LOCK VERS VLP LATCH																																																										
PRODUCT CUSTOMER DRAWING																																																										
<table border="1"> <tr> <th>DOCUMENT NUMBER</th> <th>DOC TYPE</th> <th>DOC PART</th> <th>REVISION</th> </tr> <tr> <td>SD-87978-001</td> <td>PSD</td> <td>001</td> <td>B1</td> </tr> </table>		DOCUMENT NUMBER	DOC TYPE	DOC PART	REVISION	SD-87978-001	PSD	001	B1	<table border="1"> <tr> <th>MATERIAL NUMBER</th> <th>CUSTOMER</th> <th>SHEET NUMBER</th> </tr> <tr> <td>SEE TABLE</td> <td>GENERAL MARKET</td> <td>3 OF 5</td> </tr> </table>		MATERIAL NUMBER	CUSTOMER	SHEET NUMBER	SEE TABLE	GENERAL MARKET	3 OF 5																																									
DOCUMENT NUMBER	DOC TYPE	DOC PART	REVISION																																																							
SD-87978-001	PSD	001	B1																																																							
MATERIAL NUMBER	CUSTOMER	SHEET NUMBER																																																								
SEE TABLE	GENERAL MARKET	3 OF 5																																																								

(SEE RECOMMENDED THICKNESS IN TABLE)  
 RECOMMENDED PCB LAYOUT  
 CONNECTOR SIDE



DETAIL E



THIS DRAWING CONTAINS INFORMATION THAT IS PROPRIETARY TO MOLEX ELECTRONIC TECHNOLOGIES, LLC AND SHOULD NOT BE USED WITHOUT WRITTEN PERMISSION											
DIMENSION UNITS		SCALE		CURRENT REV DESC: OBSOLETE PART NUMBER							
mm		NTS									
GENERAL TOLERANCES (UNLESS SPECIFIED)											
		MM		INCH							
4 PLACES		±		±		EC NO: 655037					
3 PLACES		±		±		DRWN: VLOKESHA 2021/01/13					
2 PLACES		± 0.2		±		CHK'D: GGA 2021/03/16					
1 PLACE		±		±		APPR: GGA 2021/03/16					
0 PLACES		±		±		INITIAL REVISION:					
ANGULAR TOL		± 5.0°		±		DRWN: CCTEH 2005/01/03					
						APPR: GGLEE 2005/08/30					
DRAFT WHERE APPLICABLE MUST REMAIN WITHIN DIMENSIONS				THIRD ANGLE PROJECTION		DRAWING		SERIES		MATERIAL NUMBER	
						A3-SIZE		87978		SEE TABLE	
										CUSTOMER	
										GENERAL MARKET	
										SHEET NUMBER	
										4 OF 5	

PART NO.	KEY POS.	DIM 'P'	RECOMMENDED PCB THICKNESS	PLATING OPTION	LATCH COLOR
87978-0021	CENTER (1.8V)	2.67	1.57	0.38uM / 15 uIN MIN. GOLD ON CONTACT, 2.54uM/ 100uIN MIN. TIN ON SOLDERTAILS, 1.27uM/ 50uIN MIN. NICKEL UNDERPLATE	BLACK
87978-1021	CENTER (1.8V)	3.18	2.36		
87978-0031	CENTER (1.8V)	2.67	1.57	0.03uM / 1 uIN MIN. GOLD ON CONTACT, 2.54uM/ 100uIN MIN. TIN ON SOLDERTAILS, 1.27uM/ 50uIN MIN. NICKEL UNDERPLATE	
87978-1031	CENTER (1.8V)	3.18	2.36		
87978-0051	CENTER (1.8V)	2.67	1.57	0.76uM / 30 uIN MIN. GOLD ON CONTACT, 2.54uM/ 100uIN MIN. TIN ON SOLDERTAILS, 1.27uM/ 50uIN MIN. NICKEL UNDERPLATE	

THIS DRAWING CONTAINS INFORMATION THAT IS PROPRIETARY TO MOLEX ELECTRONIC TECHNOLOGIES, LLC AND SHOULD NOT BE USED WITHOUT WRITTEN PERMISSION									
DIMENSION UNITS		SCALE		CURRENT REV DESC: OBSOLETE PART NUMBER				<b>molex</b>	
mm		NTS							
GENERAL TOLERANCES (UNLESS SPECIFIED)				EC NO: 655037		2021/01/13		DDR2 DIMM, 1MM PITCH 240 CKTS, FORK-LOCK VERS VLP LATCH	
				DRWN: VLOKESHA		2021/03/16			
				CHK'D: GGA		2021/03/16			
				APPR: GGA		2021/03/16		PRODUCT CUSTOMER DRAWING	
4 PLACES ±				INITIAL REVISION:		DOCUMENT NUMBER		DOC TYPE   DOC PART   REVISION	
3 PLACES ±				DRWN: CCTEH		2005/01/03		SD-87978-001   PSD   001   B1	
2 PLACES ± 0.2				APPR: GGLEE		2005/08/30			
1 PLACE ±				DRAFT WHERE APPLICABLE MUST REMAIN WITHIN DIMENSIONS		THIRD ANGLE PROJECTION		DRAWING   SERIES   MATERIAL NUMBER   CUSTOMER   SHEET NUMBER	
0 PLACES ±						A3-SIZE		87978   SEE TABLE   GENERAL MARKET   5 OF 5	
ANGULAR TOL ± 5.0°									