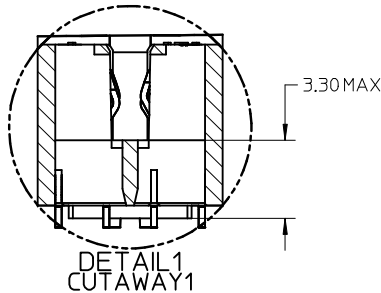
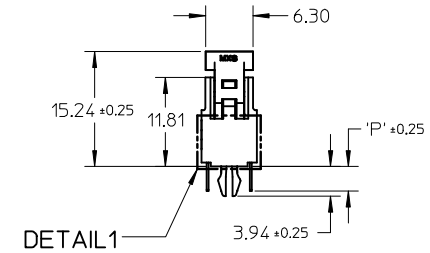
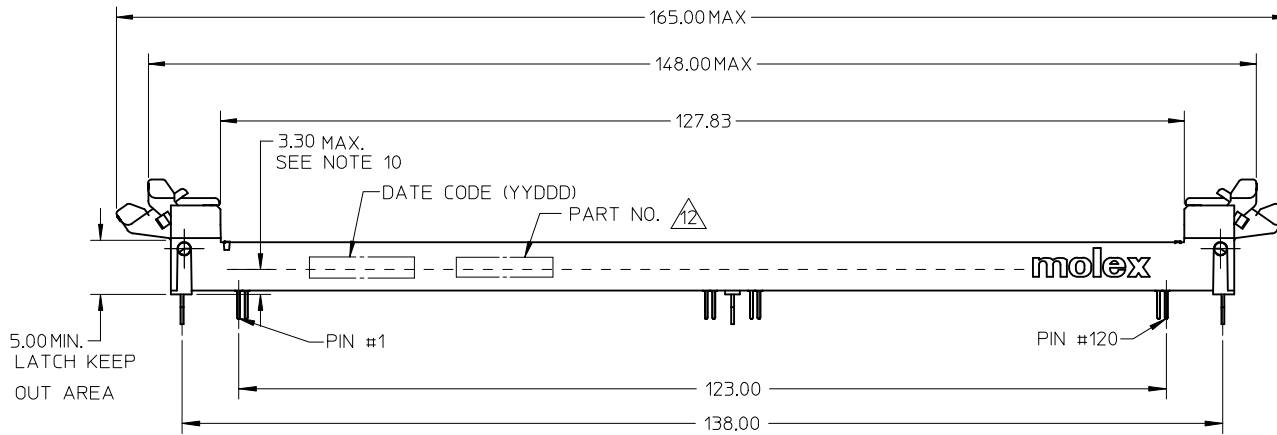
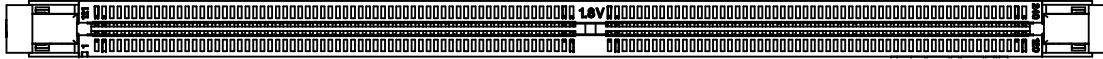


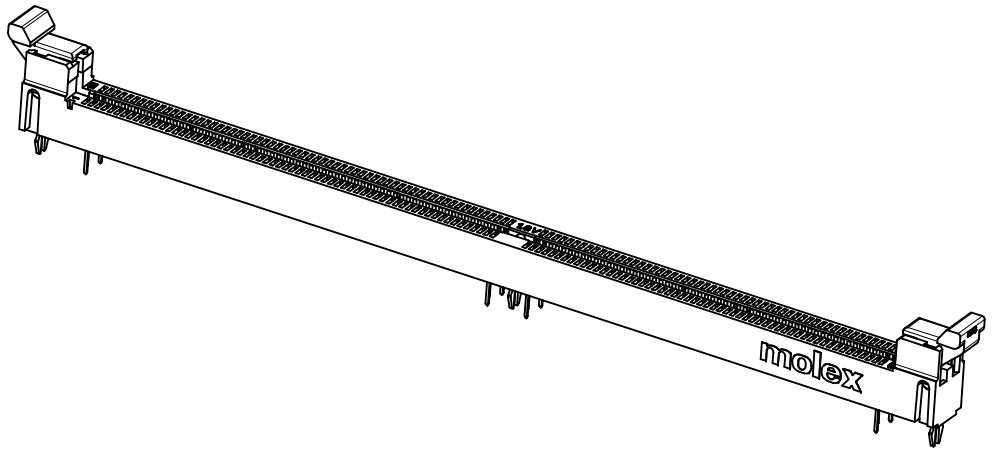
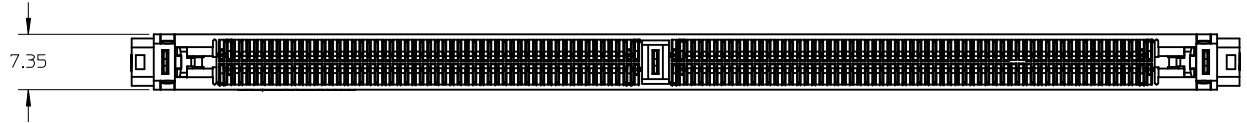
NOTES:

1. MATERIALS
 HOUSING - HIGH TEMP. NYLON GLASS FILLED, UL 94 V-0, BLACK.
 EJECTOR - HIGH TEMP. NYLON GLASS FILLED, UL 94 V-0, BLACK.
 TERMINAL - COPPER ALLOY
2. PLATING - SEE TABLE IN SHEET 5.
3. CARD SLOT ACCEPTS 1.27±0.10 MM MODULE THICKNESS.
 (MEASURED OVER P.C. PADS)
4. RECOMMENDED MODULE LAYOUT SHALL BE AS PER JEDEC MO-237.
5. REFER TO PRODUCT SPEC. PS-87978-013 FOR PERFORMANCE SPECIFICATIONS.
6. PRODUCT SHALL BE PACKED IN TRAY.
7. PRODUCT SHALL HAVE DATE CODE STAMPED ON SIDE OF HOUSING.
8. KEEP OUT AREA IS THE AREA WHERE THE CONNECTOR IS MOUNTED ONTO THE PCB WHICH DOES NOT INCLUDE THE LATCH.
9. REFER TO CRITICAL JEDEC INFORMATION FOR SOCKET OUTLINE PER S0-001.
10. DIMM MODULE SEATING PLANE FROM TOP OF PCB.
11. CONTACT MOLEX FOR AVAILABILITY OF PRODUCT OPTIONS.
12. PART NUMBER SHALL BE MARKED LEGIBLY AS 87978-****



REVISED EC NO: S2008-0235 DRW: CCH CHK: CCH APPR: SHLENI	2007/09/27 2007/09/27 2007/09/28	QUALITY SYMBOLS ▽=0 ◻=0	GENERAL TOLERANCES (UNLESS SPECIFIED)		DIMENSION STYLE MM ONLY		SCALE NTS	DESIGN UNITS METRIC	THIRD ANGLE PROJECTION			
			4 PLACES ± --- ± --- 3 PLACES ± --- ± --- 2 PLACES ± 0.20 ± --- 1 PLACE ± --- ± ---	mm INCH ± --- ± --- ± 0.20 ± --- ± --- ± ---	DRAWN BY CCH	DATE 2005/01/03	TITLE DDR2 DIMM, 1MM PITCH 240 CKTS, FORK-LOCK VERS VLP LATCH					
			ANGULAR ± 5 °			CHECKED BY SRRAMESH	DATE 2005/08/30	MOLEX INCORPORATED				
			DRAFT WHERE APPLICABLE MUST REMAIN WITHIN DIMENSIONS			APPROVED BY GGLEE	DATE 2005/08/30	MOLEX INCORPORATED		DOCUMENT NO. SD-87978-001	SHEET NO. 1 OF 5	

10 9 8 7 6 5 4 3 2 1

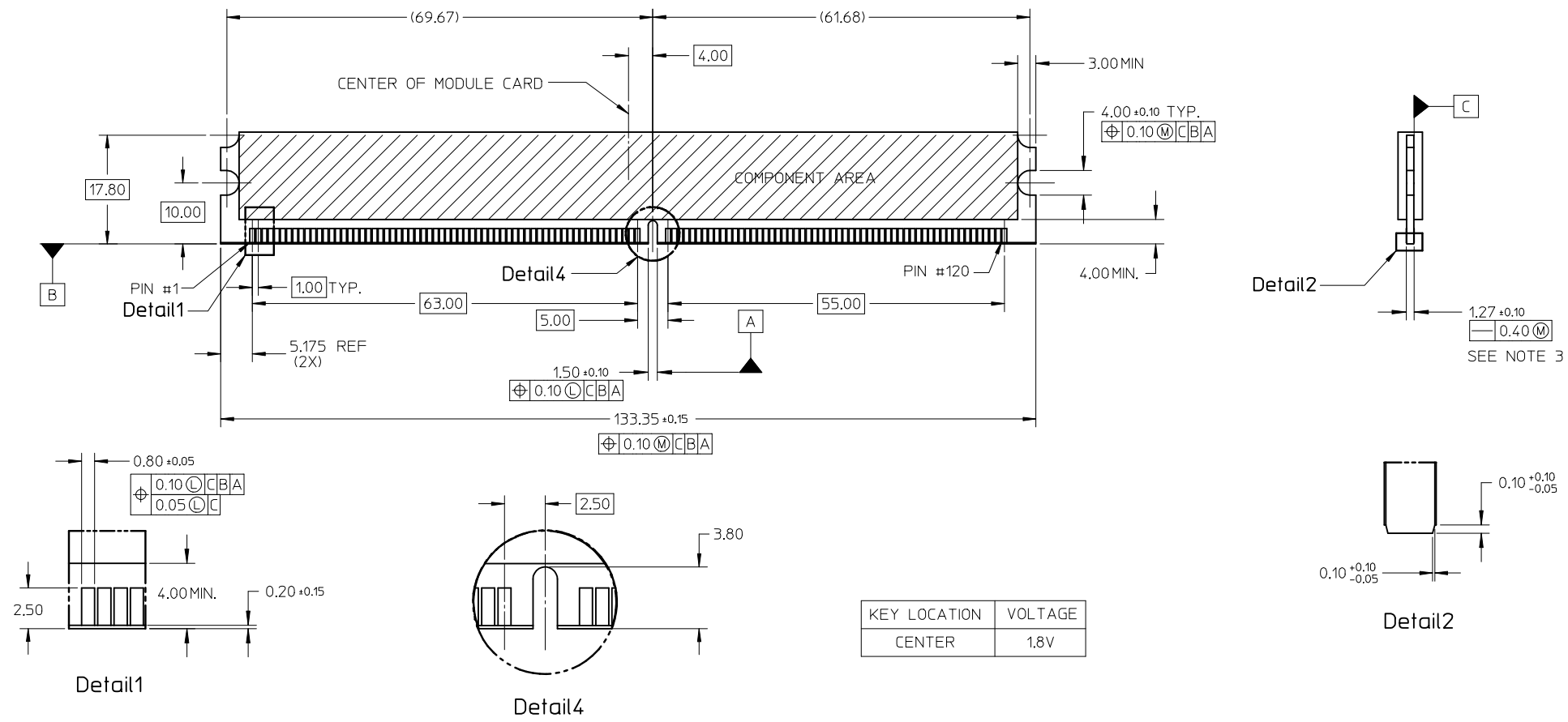


REVISED EC NO: S2008-0235 DRWN: CMTEO 2007/09/27 CHKD: CCTEH 2007/09/27 APPR: SILENI 2007/09/28	DESCRIPTION B	QUALITY SYMBOLS ▽=0 ◻=0	GENERAL TOLERANCES (UNLESS SPECIFIED)		DIMENSION STYLE MM ONLY		SCALE NTS	DESIGN UNITS METRIC	THIRD ANGLE PROJECTION			
						DRAWN BY CCTEH	DATE 2005/01/03	TITLE DDR2 DIMM, 1MM PITCH 240 CKTS, FORK-LOCK VERS VLP LATCH				
							CHECKED BY SRRAMESH	DATE 2005/08/30	MOLEX INCORPORATED			
							APPROVED BY GGLEE	DATE 2005/08/30				
							MATERIAL NO. SEE TABLE		DOCUMENT NO. SD-87978-001		SHEET NO. 2 OF 5	
				DRAFT WHERE APPLICABLE MUST REMAIN WITHIN DIMENSIONS		THIS DRAWING CONTAINS INFORMATION THAT IS PROPRIETARY TO MOLEX INCORPORATED AND SHOULD NOT BE USED WITHOUT WRITTEN PERMISSION						

9 8 7 6 5 4 3 2 1

10 9 8 7 6 5 4 3 2 1

RECOMMENDED MODULE LAYOUT



NOTES:
1. MODULE CARD USED FOR TESTS ARE WITH 0.10MM CHAMFER.

REVISED	EC NO: S2008-0235	2007/09/27
DRWN:CMTEO	CHKD:CCTEH	2007/09/27
APPR:SHLENI		2007/09/28
REV	DESCRIPTION	

QUALITY SYMBOLS	$\nabla=0$
	$\sphericalangle=0$

GENERAL TOLERANCES (UNLESS SPECIFIED)	mm	INCH	
	4 PLACES	± ---	± ---
	3 PLACES	± ---	± ---
	2 PLACES	± 0.20	± ---
	1 PLACE	± ---	± ---
ANGULAR ± 5 °			
DRAFT WHERE APPLICABLE MUST REMAIN WITHIN DIMENSIONS			

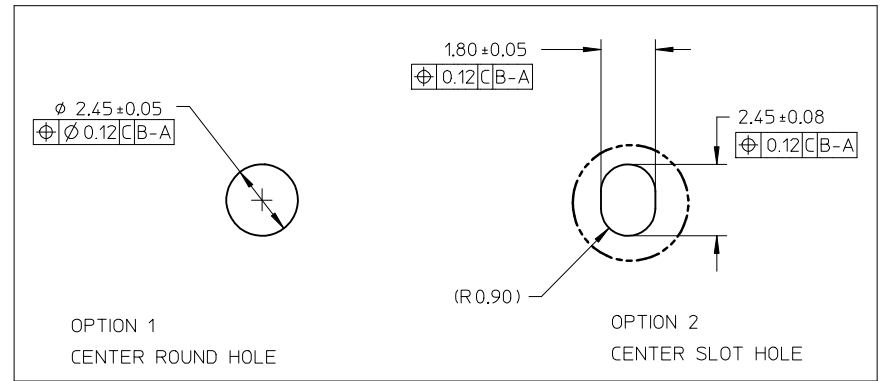
DIMENSION STYLE		SCALE	DESIGN UNITS
MM ONLY		NTS	METRIC
DRAWN BY	DATE	TITLE	
CCTEH	2005/01/03	DDR2 DIMM, 1MM PITCH	
CHECKED BY	DATE	240 CKTS, FORK-LOCK VERS	
SRRAMESH	2005/08/30	VLP LATCH	
APPROVED BY	DATE	MOLEX INCORPORATED	
GGLLEE	2005/08/30	MATERIAL NO. SEE TABLE	
MATERIAL NO.		DOCUMENT NO.	SHEET NO.
		SD-87978-001	3 OF 5

THIRD ANGLE PROJECTION

THIS DRAWING CONTAINS INFORMATION THAT IS PROPRIETARY TO MOLEX INCORPORATED AND SHOULD NOT BE USED WITHOUT WRITTEN PERMISSION

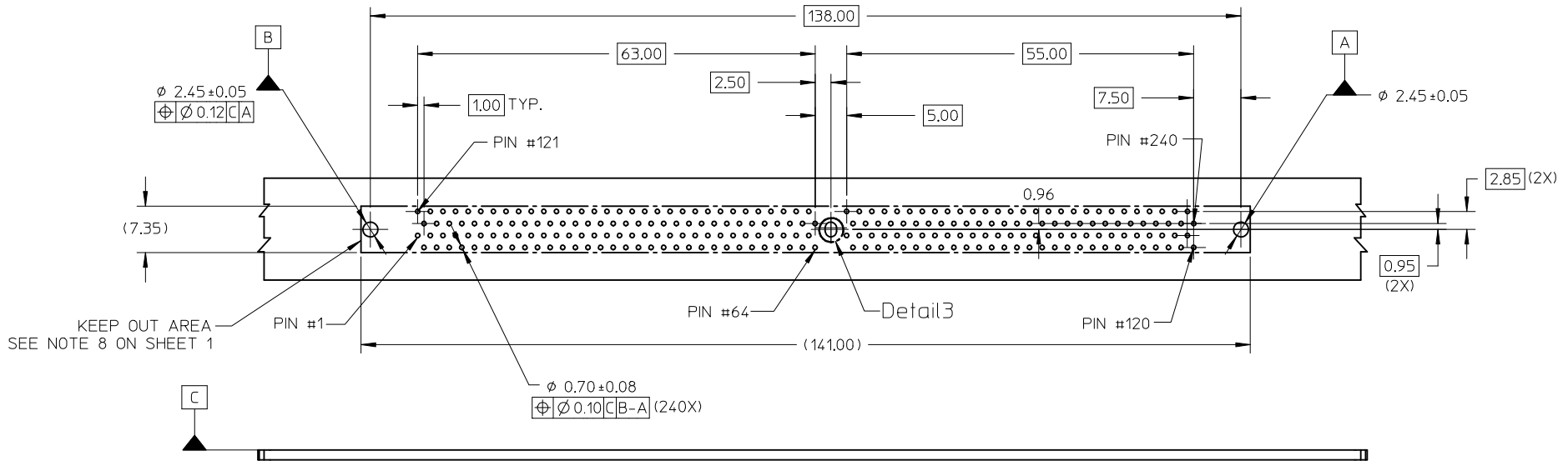
9 8 7 6 5 4 3 2 1

10 9 8 7 6 5 4 3 2 1



(SEE RECOMMENDED THICKNESS IN TABLE)
RECOMMENDED PCB LAYOUT
CONNECTOR SIDE

Detail3



REVISED EC NO: S2008-0235 DRWN:CMTEO 2007/09/27 CHKD:CCTEH 2007/09/27 APPR:SHLENI 2007/09/28	QUALITY SYMBOLS ▽=0 ◻=0	GENERAL TOLERANCES (UNLESS SPECIFIED)		DIMENSION STYLE MM ONLY		SCALE NTS	DESIGN UNITS METRIC	THIRD ANGLE PROJECTION		
			mm	INCH	DRAWN BY	DATE	TITLE			
		4 PLACES	± ---	± ---	CCTEH	2005/01/03	DDR2 DIMM, 1MM PITCH			
		3 PLACES	± ---	± ---	CHECKED BY	DATE	240 CKTS, FORK-LOCK VERS			
	± 0.20	± ---	SRRAMESH	2005/08/30	VLP LATCH					
	± ---	± ---	APPROVED BY	DATE	MOLEX INCORPORATED					
	ANGULAR ± 5 °		GGLEE	2005/08/30	DOCUMENT NO. SD-87978-001					
	DRAFT WHERE APPLICABLE MUST REMAIN WITHIN DIMENSIONS		MATERIAL NO. SEE TABLE		SHEET NO. 4 OF 5					
			SIZE A3	THIS DRAWING CONTAINS INFORMATION THAT IS PROPRIETARY TO MOLEX INCORPORATED AND SHOULD NOT BE USED WITHOUT WRITTEN PERMISSION						

9 8 7 6 5 4 3 2 1

PART NO.	KEY POS.	DIM 'P'	RECOMMENDED PCB THICKNESS	PLATING OPTION	LATCH COLOR
87978-0021	CENTER (1.8V)	2.67	1.57	0.38µM / 15 µIN MIN. GOLD ON CONTACT, 2.54µM/ 100µIN MIN. TIN ON SOLDER TAILS, 1.27µM/ 50µIN MIN. NICKEL UNDERPLATE	BLACK
87978-1021	CENTER (1.8V)	3.18	2.36		
87978-0031	CENTER (1.8V)	2.67	1.57	0.03µM / 1 µIN MIN. GOLD ON CONTACT, 2.54µM/ 100µIN MIN. TIN ON SOLDER TAILS, 1.27µM/ 50µIN MIN. NICKEL UNDERPLATE	
87978-1031	CENTER (1.8V)	3.18	2.36		
87978-0051	CENTER (1.8V)	2.67	1.57	0.76µM / 30 µIN MIN. GOLD ON CONTACT, 2.54µM/ 100µIN MIN. TIN ON SOLDER TAILS, 1.27µM/ 50µIN MIN. NICKEL UNDERPLATE	
87978-1051	CENTER (1.8V)	3.18	2.36		

REVISED EC NO: S2008-0235 DRWN: CMTEO CHKD: CCTEH APPR: SHLENI	2007/09/27 2007/09/27 2007/09/28	QUALITY SYMBOLS ▽=0 ◻=0	GENERAL TOLERANCES (UNLESS SPECIFIED)		DIMENSION STYLE MM ONLY		SCALE NTS	DESIGN UNITS METRIC	THIRD ANGLE PROJECTION	
						DRAWN BY CCTEH	DATE 2005/01/03	TITLE DDR2 DIMM, 1MM PITCH 240 CKTS, FORK-LOCK VERS VLP LATCH		
						CHECKED BY SRRAMESH	DATE 2005/08/30			
							APPROVED BY GGLEE	DATE 2005/08/30	MOLEX INCORPORATED DOCUMENT NO. SD-87978-001 SHEET NO. 5 OF 5	
					MATERIAL NO. SEE TABLE					
DRAFT WHERE APPLICABLE MUST REMAIN WITHIN DIMENSIONS			ANGULAR ± 5 °		THIS DRAWING CONTAINS INFORMATION THAT IS PROPRIETARY TO MOLEX INCORPORATED AND SHOULD NOT BE USED WITHOUT WRITTEN PERMISSION					