

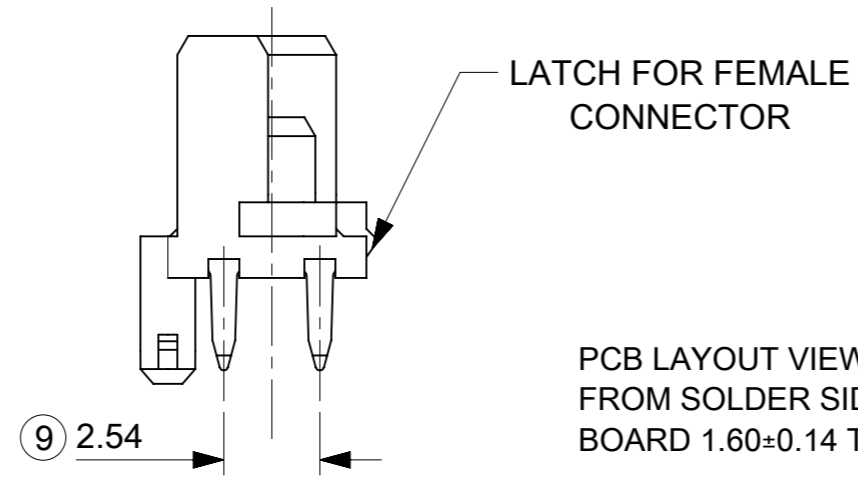
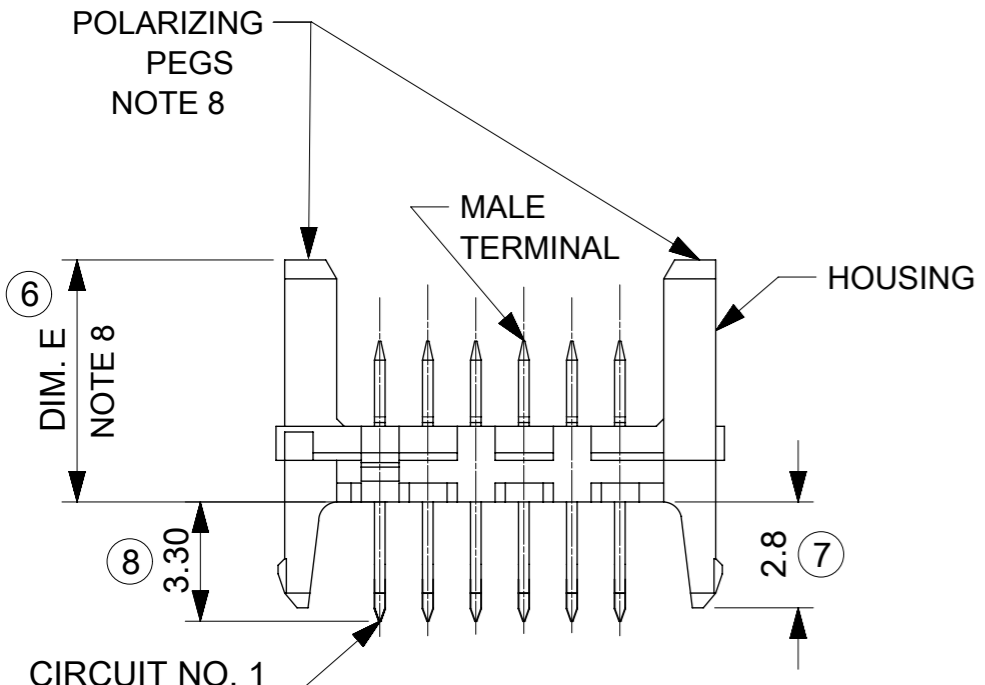
MOULD BASE COLOUR: NATURAL

90779-**-***

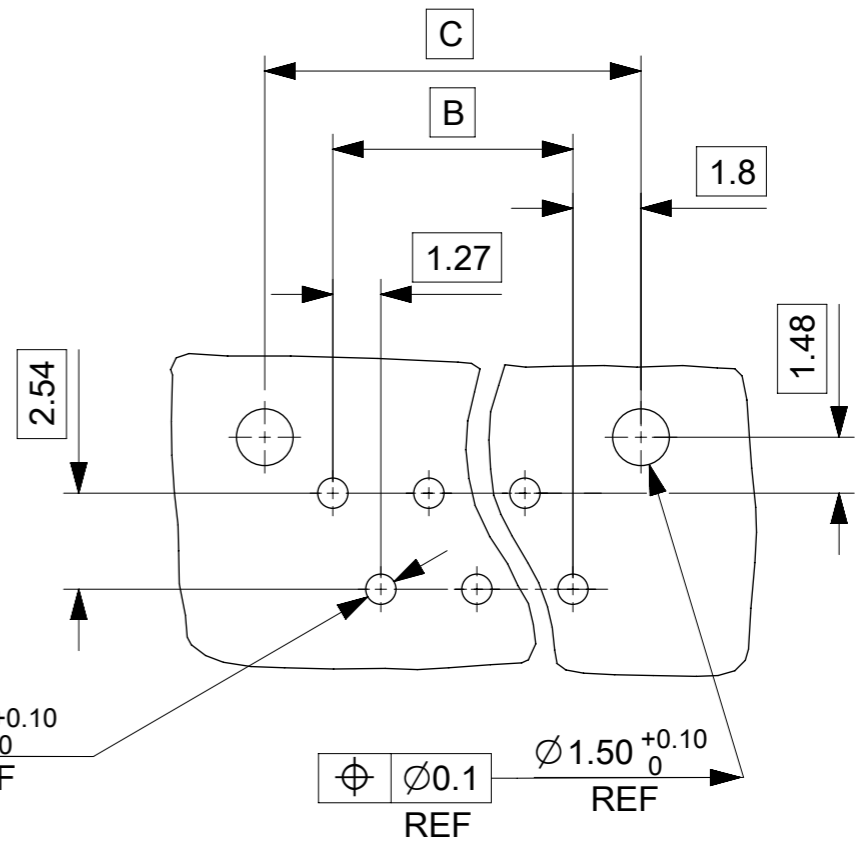
CIRCUIT SIZE 04 CCT TO 26 CCT
-SEE ABOVE TABLE FOR PART CODE
0 - STANDARD
9 - SHORT VERSION

0 = 4-6µm TIN ASSY
3 = 0.76µm GOLD ASSY
7 = 0.76µm GOLD ASSY, TUBED
9 = 4-6µm TIN ASSY TUBED

| | | | | | |
|------------|-------------|--------|--------|--------|--------|
| 90779-**13 | 26 | 36.80 | 31.75 | 35.35 | 37.26 |
| 90779-**12 | 24 | 34.26 | 29.21 | 32.81 | 34.72 |
| 90779-**11 | 22 | 31.72 | 26.67 | 30.27 | 32.18 |
| 90779-**10 | 20 | 29.18 | 24.13 | 27.73 | 29.64 |
| 90779-**08 | 18 | 26.64 | 21.59 | 25.19 | 27.10 |
| 90779-**07 | 16 | 24.10 | 19.05 | 22.65 | 24.56 |
| 90779-**06 | 14 | 21.56 | 16.51 | 20.11 | 22.02 |
| 90779-**05 | 12 | 19.02 | 13.97 | 17.57 | 19.48 |
| 90779-**04 | 10 | 16.48 | 11.43 | 15.03 | 16.94 |
| 90779-**03 | 8 | 13.94 | 8.89 | 12.49 | 14.40 |
| 90779-**02 | 6 | 11.40 | 6.35 | 9.95 | 11.86 |
| 90779-**01 | 4 | 8.86 | 3.81 | 7.41 | 9.32 |
| PART NO. | NO. OF CCTS | DIM. A | DIM. B | DIM. C | DIM. D |



PCB LAYOUT VIEWED FROM SOLDER SIDE.
BOARD 1.60±0.14 THK



- NOTES:**
- HOUSING. NYLON 46, GLASS FILLED UL 94 V-0, NATURAL (WHITE).
 - TERMINAL: BRASS
PLATING TIN: 1.27 MICROMETRE MIN. NICKEL UNDER 4-6 MICROMETRE TIN
PLATING GOLD : UNDERPLATED 1.27µm MIN NICKEL 3-5µm TIN SELECTIVE
0.76µm MIN. SELECTIVE GOLD
 - APPLICATION CLASS TO DIN 40040 HME (-25°C/+100°C)
 - PIN PUSH FORCE 7N
 - TEST VOLTAGE: 750V.A.C./1 MIN
 - COMPATIBLE WITH MOLEX PART 90327
 - PRODUCT SPECIFICATION: PS-99020-0011
 - POLARISING PEG AVAILABLE IN 2 OPTIONS
DIM E: STANDARD 6.40mm
DIM E: SHORT VERSION 4.10mm
 - PACKAGING SPECIFICATION: PK-90325-002

LAST INSPECTION NUMBER USED: 9

| | | | | |
|--|---|------------------------|---------------------------------|---|
| FUNCTIONAL SYMBOLS | THIS DRAWING CONTAINS INFORMATION THAT IS PROPRIETARY TO MOLEX ELECTRONIC TECHNOLOGIES, LLC AND SHOULD NOT BE USED WITHOUT WRITTEN PERMISSION | | CURRENT REV DESC: CAD MIGRATION | |
| ▽A = 0 | mm | SCALE | 5:1 | |
| ▽E = 0 | GENERAL TOLERANCES (UNLESS SPECIFIED) | | | |
| ▽F = 0 | ANGULAR TOL ± ° | | | |
| DIVISIONAL SYMBOLS | 4 PLACES | ± | | |
| | 3 PLACES | ± | 0.2 | |
| | 2 PLACES | ± | 0.2 | |
| | 1 PLACE | ± | | |
| | 0 PLACES | ± | | |
| DRAFT WHERE APPLICABLE MUST REMAIN WITHIN DIMENSIONS | | THIRD ANGLE PROJECTION | DRAWING | SERIES |
| | | | A3-SIZE | 90779 |
| EC NO: 738955 | | DRWN: GOWTHP | 2023/02/02 | HEADER ASSEMBLY PRODUCT CUSTOMER DRAWING |
| CHK'D: GOWTHP | | APPR: ISHWARG | 2023/02/16 | |
| INITIAL REVISION: | | DRWN: BGB | 1992/08/21 | |
| APPR: JDENNEHY | | 2004/12/03 | DOCUMENT NUMBER | DOC TYPE |
| SDA-90779 | | PSD | 001 | T2 |
| MATERIAL NUMBER | | CUSTOMER | SHEET NUMBER | |
| SEE CHART | | GENERAL MARKET | 1 OF 1 | |