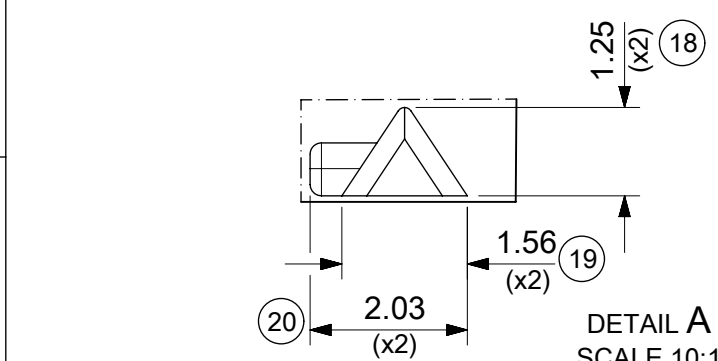
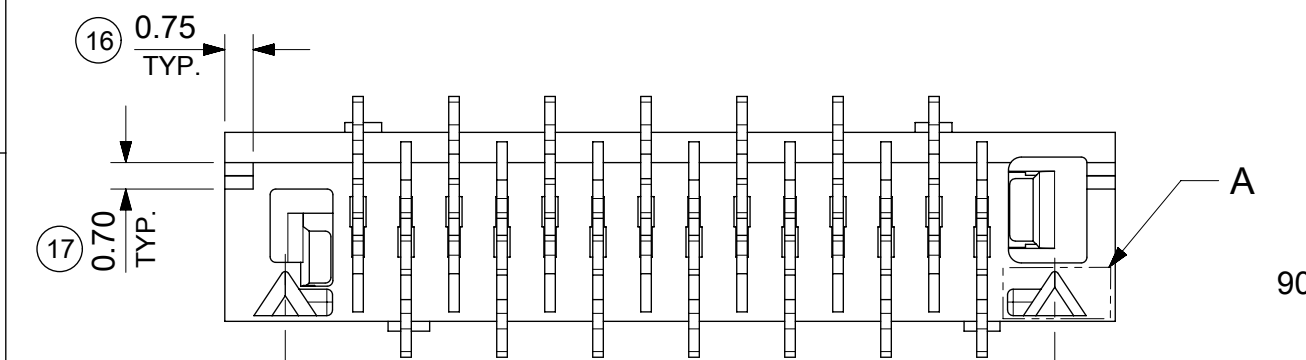
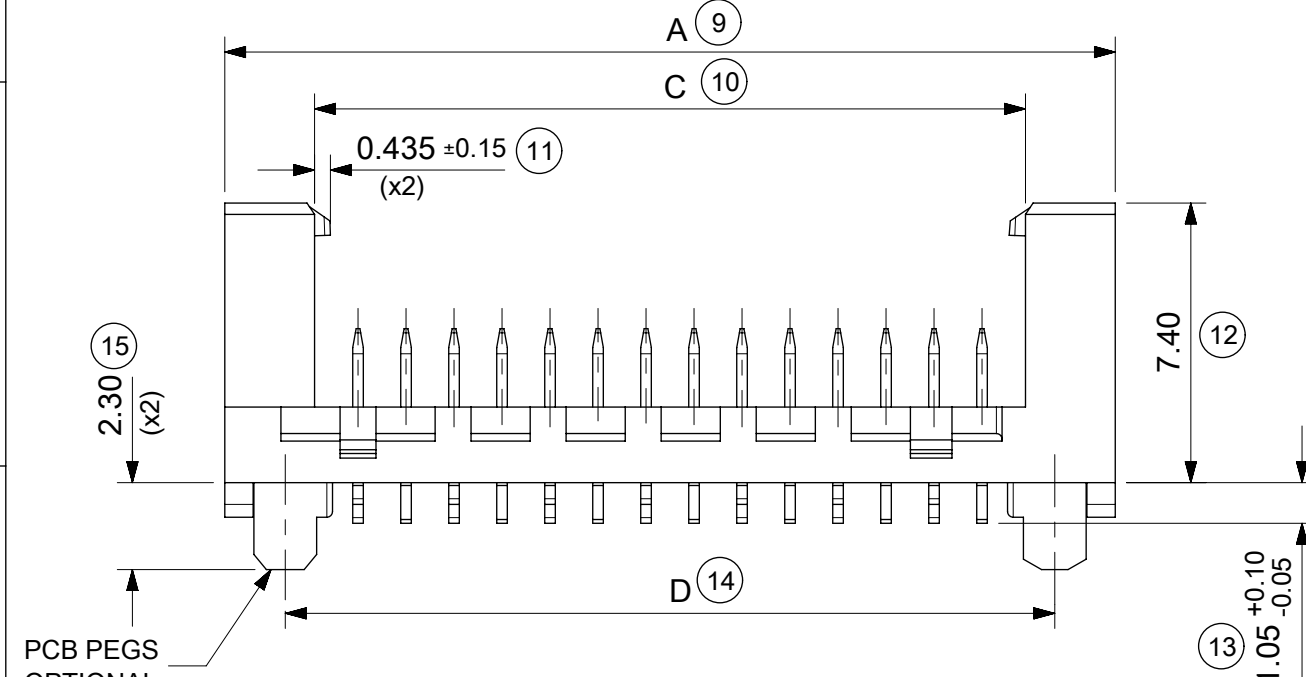


14 CIRCUIT SHOWN FOR ILLUSTRATION ONLY.



PART NO.	NUMBER OF CKTS	DIMN. A	DIMN. B	DIMN. C	DIMN. D
90816-**04	04	10.86	3.81	6.11	7.66
90816-**06	06	13.40	6.35	8.65	10.20
90816-**08	08	15.94	8.89	11.19	12.74
90816-**10	10	18.48	11.43	13.73	15.28
90816-**12	12	21.02	13.97	16.27	17.82
90816-**14	14	23.56	16.51	18.81	20.36
90816-**16	16	26.10	19.05	21.35	22.90
90816-**18	18	28.64	21.59	23.89	25.44
90816-**20	20	31.18	24.13	26.43	27.98
90816-**22	22	33.72	26.67	28.97	30.52
90816-**24	24	36.26	29.21	31.51	33.06
90816-**26	26	38.80	31.75	34.05	35.60

SEE NOTE-7

NOTES:

- MATERIAL  
HOUSING: PPA, GLASS-FILLED, COLOUR: BLACK, UL 94-HB.  
TERMINAL: BRASS
  - FINISHES: TERMINAL  
Gold : UNDERPLATED 1.27µm MIN NICKEL  
3-5µm TIN SELECTIVE  
0.76µm MIN. SELECTIVE GOLD  
TIN: 3 MICROMETRE MINIMUM OVER NICKEL UNDERPLATE.
  - PRODUCT SPECIFICATION: PS-99020-0011
  - PACKAGING SPECIFICATION: FOR TAPE AND REEL SEE: PK-90816-006  
FOR TUBE SEE: PK-90816-007
  - MATES WITH MOLEX 90327 PART SERIES.
  - ALL SMT TAILS TO LIE WITHIN A COPLANARITY BAND OF 0 - 0.10 MICROMETRE REF. FROM EACH OTHER.
  - 4 CIRCUIT PART NOT AVAILABLE IN TAPE AND REEL.
- LAST INSPECTION NUMBER USED: 20

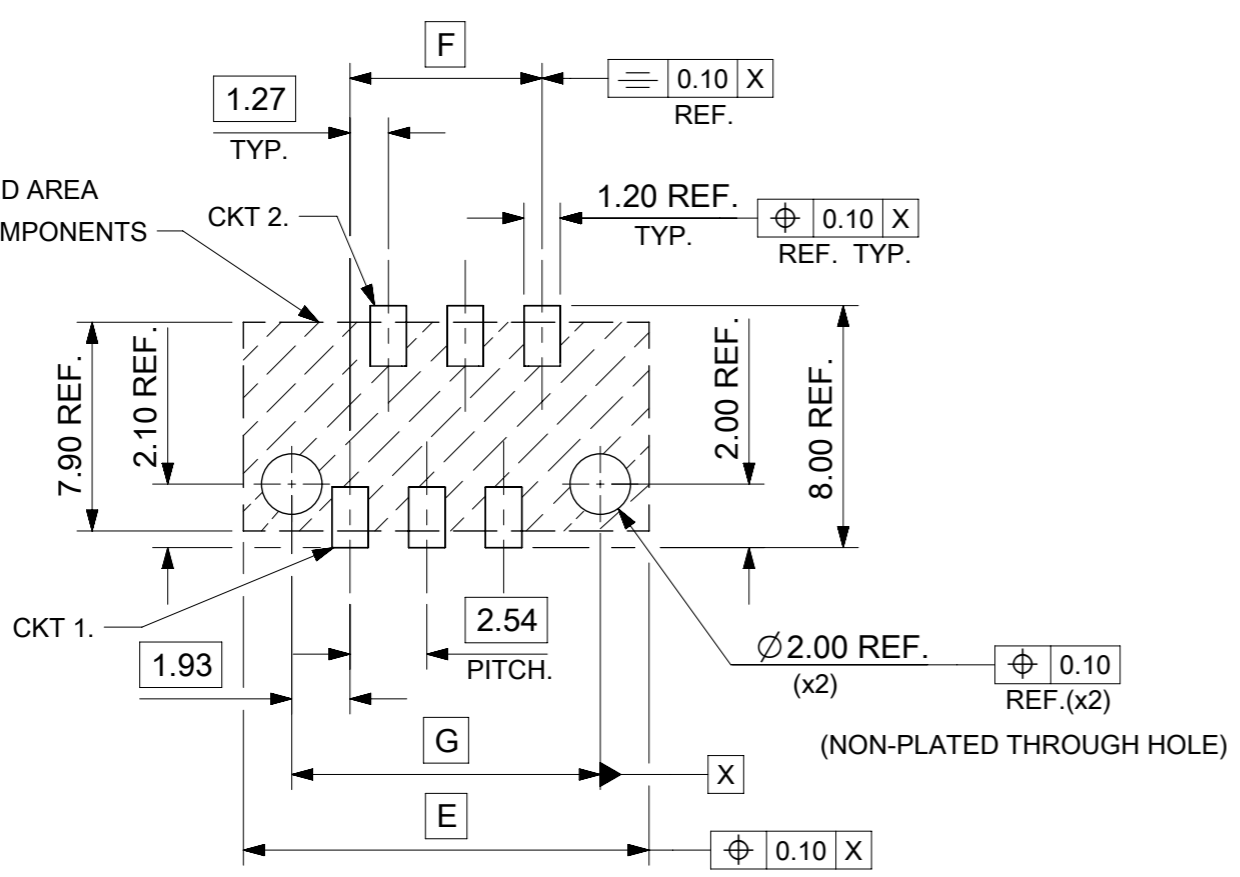
90816 - \*\* \*\*

CIRCUIT SIZE.

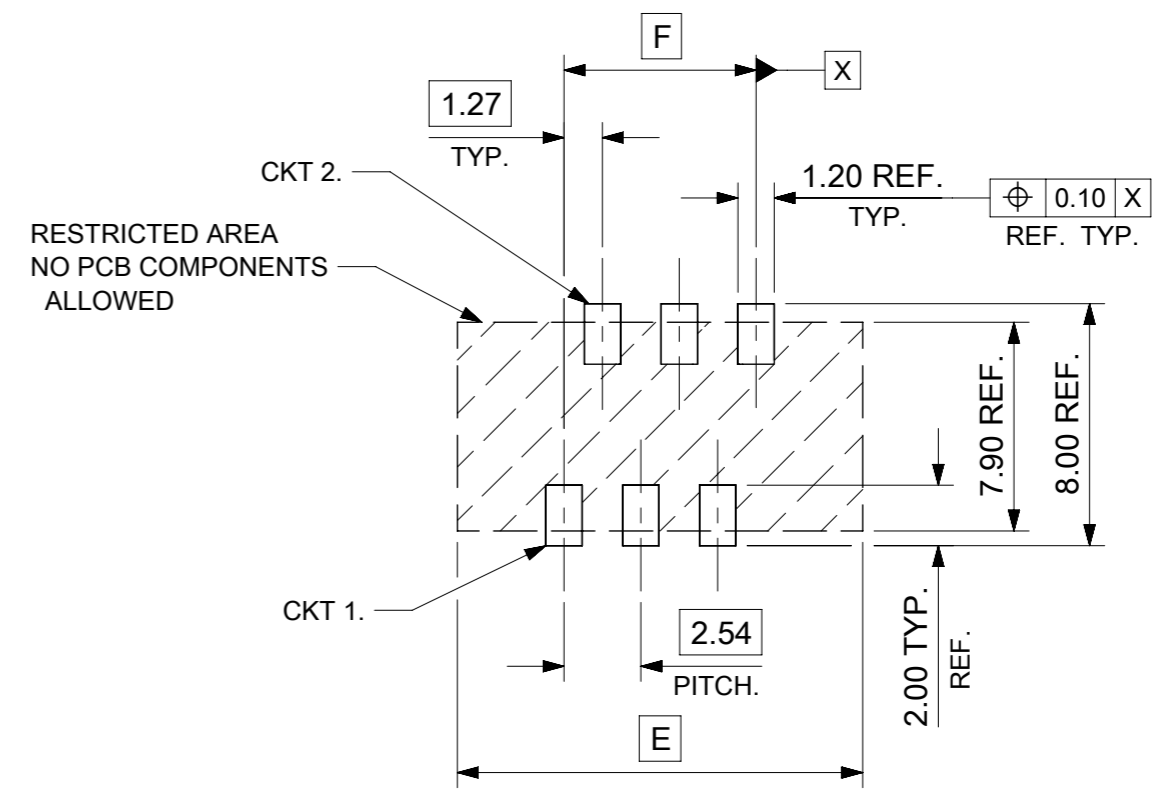
	PCB PEGS	TUBE PACKED	TAPE & REEL PACKED
0	YES	YES	NO
2	YES	NO	YES
3	NO	YES	NO
5	NO	NO	YES

0 = TIN VERSION  
3 = 0.76µm GOLD PLATING

THIS DRAWING CONTAINS INFORMATION THAT IS PROPRIETARY TO MOLEX ELECTRONIC TECHNOLOGIES, LLC AND SHOULD NOT BE USED WITHOUT WRITTEN PERMISSION													
FUNCTIONAL SYMBOLS	DIMENSION UNITS	SCALE	CURRENT REV DESC: CAD MIGRATION										
$\nabla = 0$	mm	5:1	<div style="text-align: center;"><b>molex</b></div> PICOFLEX SMT LATCHED HEADER PRODUCT CUSTOMER DRAWING EC NO: 738955 DRWN: GOWTHP CHK'D: GOWTHP APPR: ISHWARG INITIAL REVISION: DRWN: DBYRNES APPR: EFOAN 2023/02/02 2023/02/16 2023/02/20 2008/08/16 2010/11/04										
$\nabla = 0$	GENERAL TOLERANCES (UNLESS SPECIFIED)												
$\nabla = 0$	ANGULAR TOL ± 2.0°												
$\nabla = 0$	4 PLACES ±												
DIVISIONAL SYMBOLS	3 PLACES ±	2 PLACES ± 0.25	DOCUMENT NUMBER			DOC TYPE			DOC PART				
	1 PLACE ± 0.35	0 PLACES ±	SD-90816-001			PSD			001				
	DRAFT WHERE APPLICABLE MUST REMAIN WITHIN DIMENSIONS		THIRD ANGLE PROJECTION		DRAWING	SERIES		MATERIAL NUMBER		CUSTOMER		SHEET NUMBER	
			A3		90816	SEE CHART		GENERAL MARKET		1 OF 2			



RECOMMENDED PCB THICKNESS 1.60±0.14  
 PCB LAYOUT FOR CLEARANCE FIT WITH PCB PEGS  
 HEADER VERSIONS 90816-\*0\*\*/\*2\*\*  
 VIEWED FROM COMPONENT SIDE  
 6CKT PART SHOWN FOR REFERENCE



PCB LAYOUT WITHOUT PCB PEGS  
 HEADER VERSIONS 90816-\*3\*\*/\*5\*\*  
 VIEWED FROM COMPONENT SIDE  
 6CKT PART SHOWN FOR REFERENCE

90816-**26	26	38.80	31.75	35.60
90816-**24	24	36.26	29.21	33.06
90816-**22	22	33.72	26.67	30.52
90816-**20	20	31.18	24.13	27.98
90816-**18	18	28.64	21.59	25.44
90816-**16	16	26.10	19.05	22.90
90816-**14	14	23.56	16.51	20.36
90816-**12	12	21.02	13.97	17.82
90816-**10	10	18.48	11.43	15.28
90816-**08	8	15.94	8.89	12.74
90816-**06	6	13.40	6.35	10.20
90816-**04	4	10.86	3.81	7.66
PART NO.	NUMBER OF CKTS	DIM. E	DIM. F	DIM. G

DOCUMENT STATUS P1 RELEASE DATE 2023/02/20 05:04:35

FUNCTIONAL SYMBOLS	THIS DRAWING CONTAINS INFORMATION THAT IS PROPRIETARY TO MOLEX ELECTRONIC TECHNOLOGIES, LLC AND SHOULD NOT BE USED WITHOUT WRITTEN PERMISSION	CURRENT REV DESC: CAD MIGRATION			
	DIMENSION UNITS: mm SCALE: 5:1 GENERAL TOLERANCES (UNLESS SPECIFIED): ANGULAR TOL ± 2.0° 4 PLACES ± 3 PLACES ± 2 PLACES ± 0.25 1 PLACE ± 0.35 0 PLACES ±	EC NO: 738955 DRWN: GOWTHP CHK'D: GOWTHP APPR: ISHWARG INITIAL REVISION: DRWN: DBYRNES APPR: EFOLAN			
DIVISIONAL SYMBOLS	DRAFT WHERE APPLICABLE MUST REMAIN WITHIN DIMENSIONS		THIRD ANGLE PROJECTION	DRAWING: A3-SIZE	SERIES: 90816
	PRODUCT CUSTOMER DRAWING		DOCUMENT NUMBER: SD-90816-001	DOC TYPE: PSD	DOC PART: 001
MATERIAL NUMBER: SEE SHEET 1		CUSTOMER: GENERAL MARKET		SHEET NUMBER: 2 OF 2	