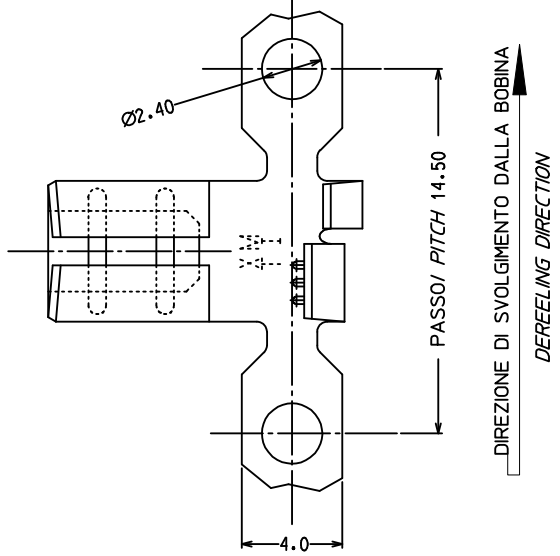


BORDO ARROTONDATO O SMUSSATO.
L'INSERIMENTO NELL'HOUSING SERIE 94547
DEVE AVVENIRE SENZA IMPUNTAMENTI.
ROUNDED EDGE

CODICE	MATERIALE	FINITURA
P/N	MATERIAL	PLATING
94536-1100	OTTONE	GREGGIO / PLAIN
94536-1101	BRASS	STAGNATO / TIN PLATED



FORZA INSERIZIONE / ESTRAZIONE CON
MASCHIO 4.8 x 0.8 NON PLACCATO :
1° INS. : 25 N max.
8° ESTR.: 8 N min.

INSERTION / EXTRACTION FORCE WITH
UNPLATED TAB 4.8 x 0.8 :
1st INS. : 25 N max.
8th EXT. : 8 N min.

SEZ. DI AGGRAFFAGGIO : 0.5 ↔ 1.5 mm²
Ø ISOLANTE : 2.0 ↔ 3.6 mm

WIRE RANGE : 0.5 ↔ 1.5 mm²
Ø INSULATION : 2.0 ↔ 3.6 mm

IMBALLO: IN BOBINE CON CARTA INTERMEDIA,
Nr. 3 BOBINE PER SCATOLA

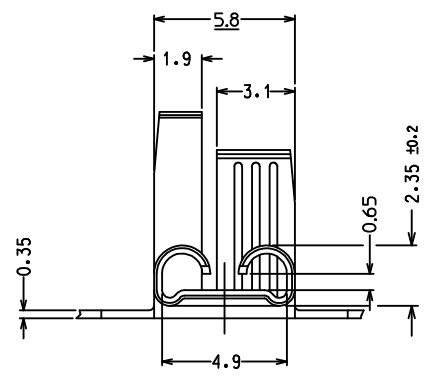
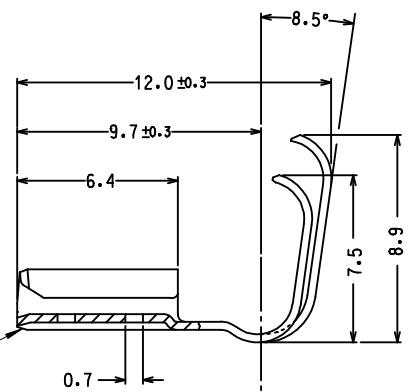
PACKAGING: ON REELS WITH INTERLEAVING PAPER,
Nr. 3 REELS PER BOX

S.P.Q. : 9000 pz.

S.P.Q. : 9000 pcs.

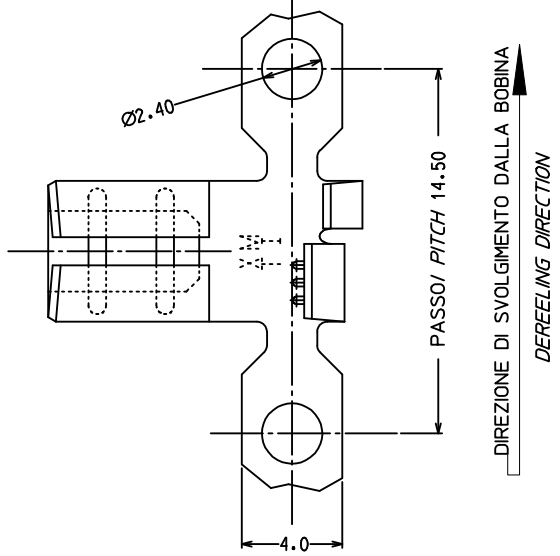
Std. Descr. : FEM TERM 4.8/08 RA NO DIMPLE UNPL 05-15
Std. Descr. : FEM TERM 4.8/08 RA NO DIMPLE TIN 05-15

REVISED NOTES EC NO: Z2017-0004 DRWN:LSANTESS 2016/07/22 CHKD:LSANTESS 2016/07/22 APPR:PZANGIROLAMI 2016/07/22 C2	QUALITY SYMBOLS ▽=0 ◻=0	GENERAL TOLERANCES (UNLESS SPECIFIED)		DIMENSION STYLE MM ONLY		SCALE 5:1	DESIGN UNITS METRIC	FIRST ANGLE PROJECTION			
		4 PLACES ± --- ± ---	3 PLACES ± --- ± ---	2 PLACES ± 0.10 ± ---	1 PLACE ± 0.2 ± ---	ANGULAR ± 2 °	DRAWN BY LSANTESS 2002/07/23		DATE 2002/07/23		
		DRAFT WHERE APPLICABLE MUST REMAIN WITHIN DIMENSIONS				MATERIAL NO. GZUIN 2002/07/23		TITLE NO DIMPLE FLAG FEMALE TERMINAL FOR 4.8 X 0.8 TABS		SHEET NO. 1 OF 1	
		SEE TABLE				DOCUMENT NO. SD-94536-004		MOLEX INCORPORATED			
		THIS DRAWING CONTAINS INFORMATION THAT IS PROPRIETARY TO MOLEX INCORPORATED AND SHOULD NOT BE USED WITHOUT WRITTEN PERMISSION				SIZE A3					



BORDO ARROTONDATO O SMUSSATO.
L'INSERIMENTO NELL'HOUSING SERIE 94547
DEVE AVVENIRE SENZA IMPUNTAMENTI.
ROUNDED EDGE

CODICE	MATERIALE	FINITURA
P/N	MATERIAL	PLATING
94536-1100	OTTONE	GREGGIO / PLAIN
94536-1101	BRASS	STAGNATO / TIN PLATED



FORZA INSERIZIONE / ESTRAZIONE CON
MASCHIO 4.8 x 0.8 NON PLACCATO :
1° INS. : 25 N max.
8° ESTR.: 8 N min.

INSERTION / EXTRACTION FORCE WITH
UNPLATED TAB 4.8 x 0.8 :
1st INS. : 25 N max.
8th EXT. : 8 N min.

SEZ. DI AGGRAFFAGGIO : 0.5 ↔ 1.5 mm²
Ø ISOLANTE : 2.0 ↔ 3.6 mm

WIRE RANGE : 0.5 ↔ 1.5 mm²
Ø INSULATION : 2.0 ↔ 3.6 mm

IMBALLO: IN BOBINE CON CARTA INTERMEDIA,
Nr. 3 BOBINE PER SCATOLA

PACKAGING: ON REELS WITH INTERLEAVING PAPER,
Nr. 3 REELS PER BOX

S.P.Q. : 9000 pz.

S.P.Q. : 9000 pcs.

Std. Descr. : FEM TERM 4.8/08 RA NO DIMPLE UNPL 05-15
Std. Descr. : FEM TERM 4.8/08 RA NO DIMPLE TIN 05-15

REVISED NOTES EC NO: Z2017-0004 DRWN:LSANTESS 2016/07/22 CHKD:LSANTESS 2016/07/22 APPR:PZANGIROLAMI 2016/07/22 C2	QUALITY SYMBOLS ▽=0 ◻=0	GENERAL TOLERANCES (UNLESS SPECIFIED)		DIMENSION STYLE MM ONLY		SCALE 5:1	DESIGN UNITS METRIC	FIRST ANGLE PROJECTION			
		4 PLACES ± --- ± ---	3 PLACES ± --- ± ---	2 PLACES ± 0.10 ± ---	1 PLACE ± 0.2 ± ---	ANGULAR ± 2 °	DRAWN BY LSANTESS 2002/07/23		DATE 2002/07/23		
		DRAFT WHERE APPLICABLE MUST REMAIN WITHIN DIMENSIONS				MATERIAL NO. GZUIN 2002/07/23		TITLE NO DIMPLE FLAG FEMALE TERMINAL FOR 4.8 X 0.8 TABS		SHEET NO. 1 OF 1	
		SEE TABLE				DOCUMENT NO. SD-94536-004		MOLEX INCORPORATED			
		THIS DRAWING CONTAINS INFORMATION THAT IS PROPRIETARY TO MOLEX INCORPORATED AND SHOULD NOT BE USED WITHOUT WRITTEN PERMISSION				SIZE A3					