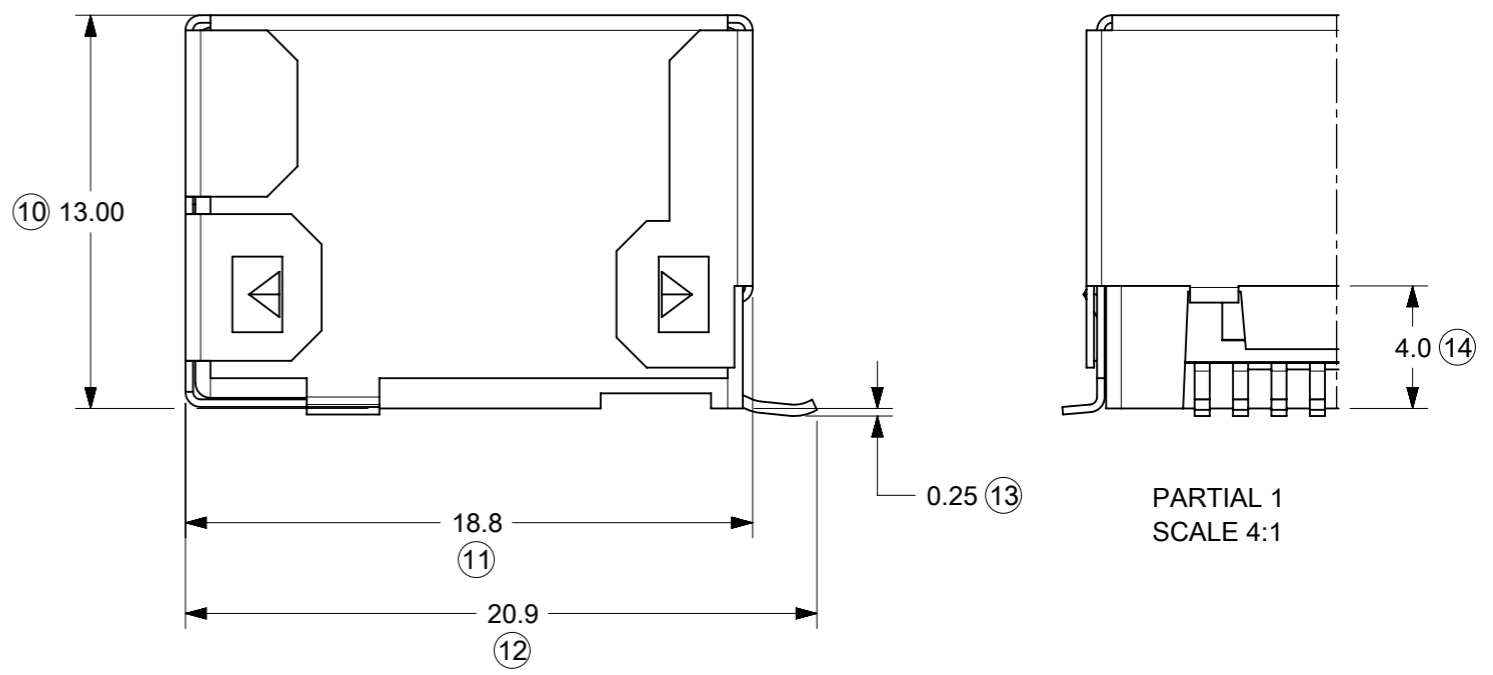
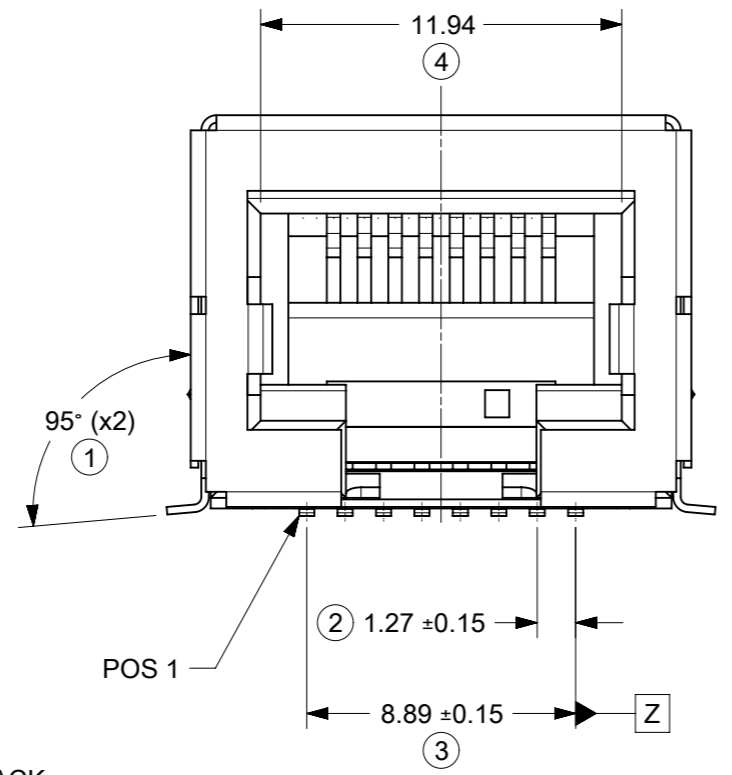
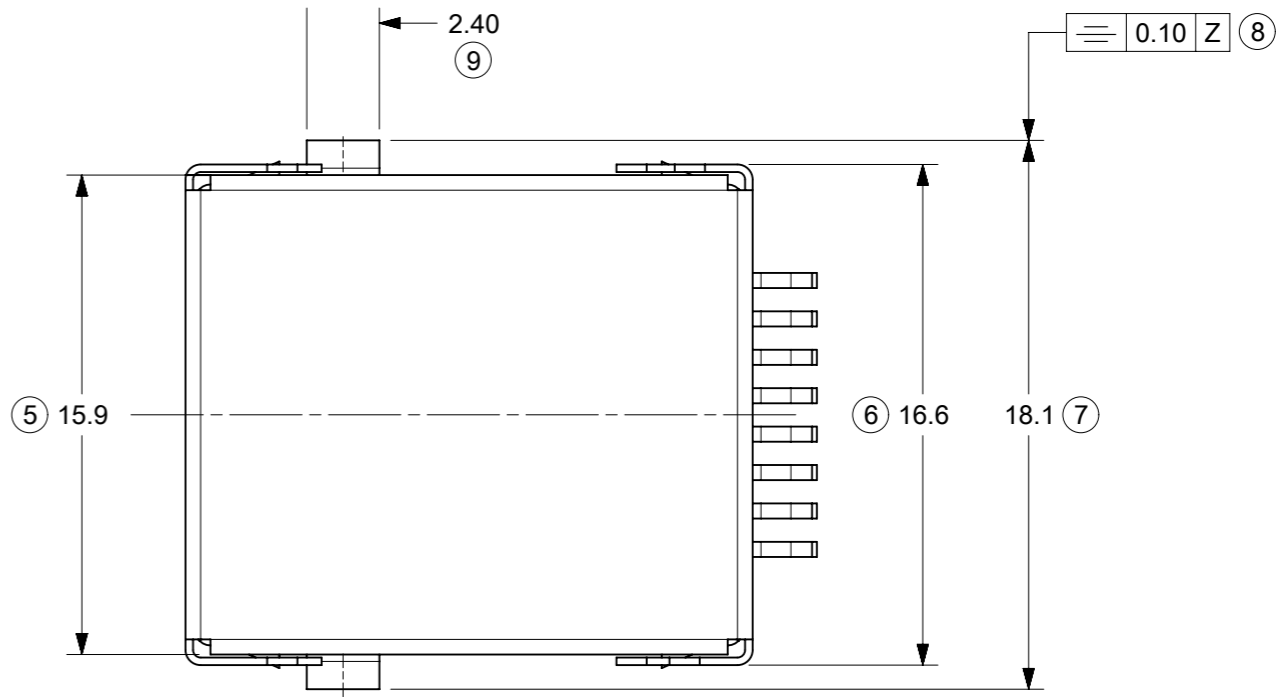
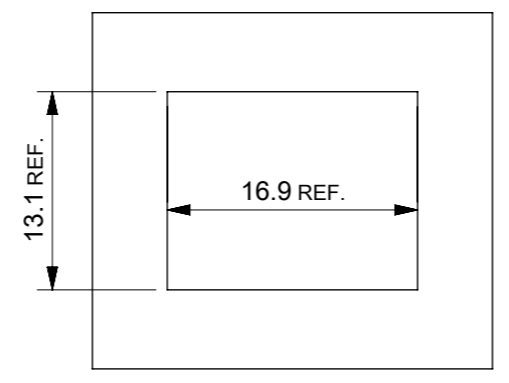


PART NO.	
95622-4883	

SUGGESTED PANEL CUTOUT  
SCALE 2:1



- NOTES:
- JACK FOR MATING WITH SHIELDED PLUG (MOLEX 95043 AND 85568 SERIES)
  - PRODUCT SPECIFICATION: PS-95622-001
  - PACKAGING SPECIFICATION: PK-95122-002 (BLISTER ON REEL)
  - COPLANARITY OF SIGNAL LEADS: 0.10MAX
  - RECOMMENDED PCB THICKNESS 1.57

LAST INSPECTION NO.: (15)

TECHNICAL SPECIFICATIONS:

MATERIAL:

HOUSING: LCP GLASS FILLED UL 94-V0, COLOUR BLACK.

TERMINAL: COPPER ALLOY PLATED WITH:

BASE FINISH: NICKEL

CONTACT SURFACE FINISH:

GOLD

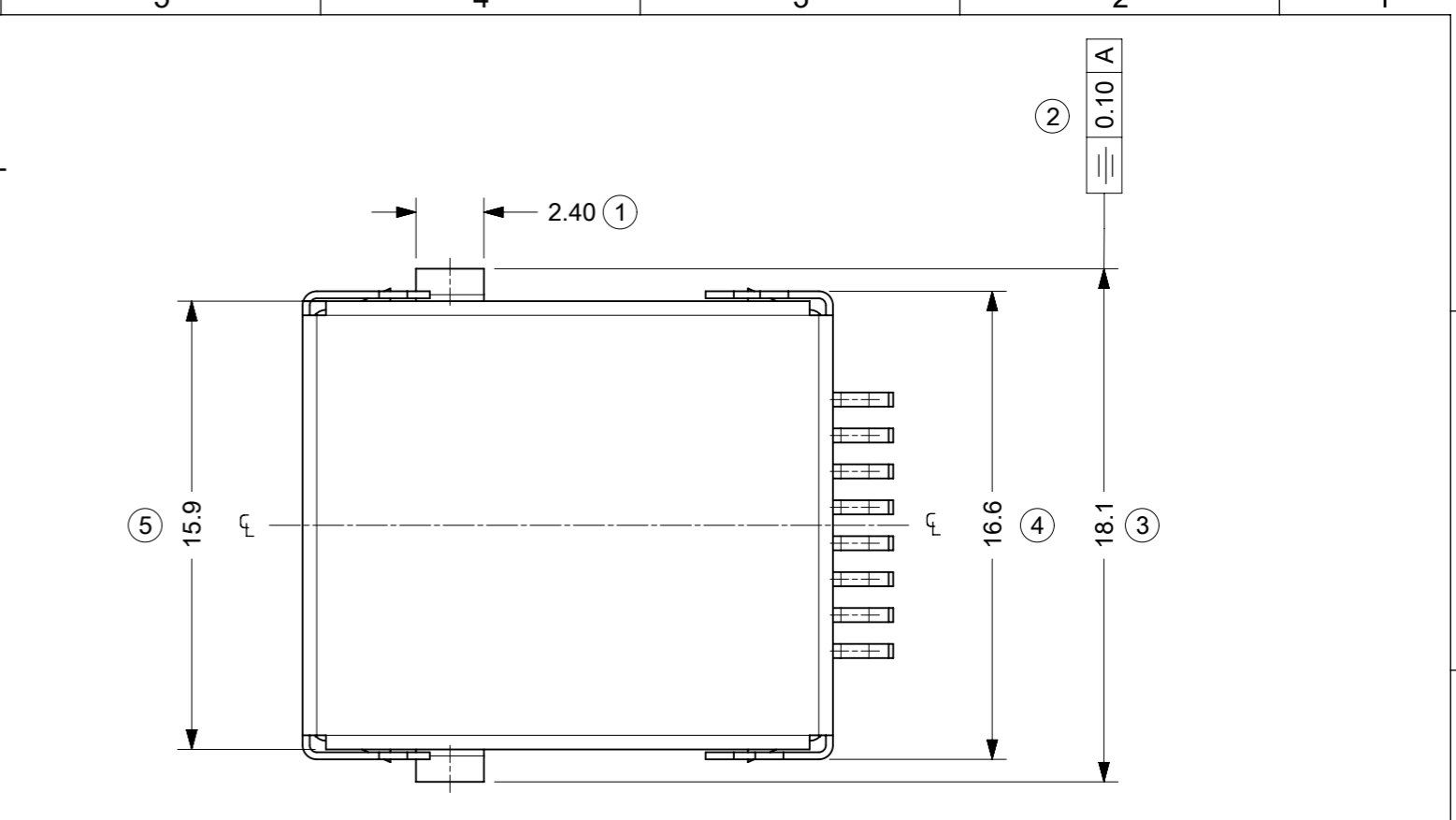
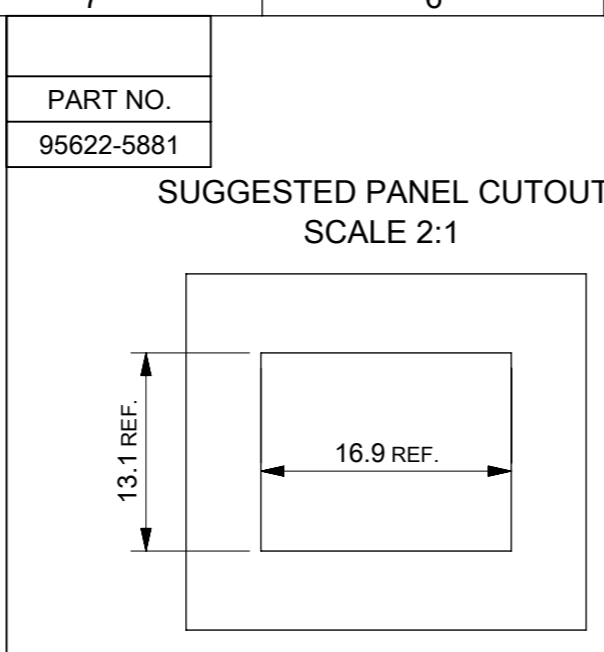
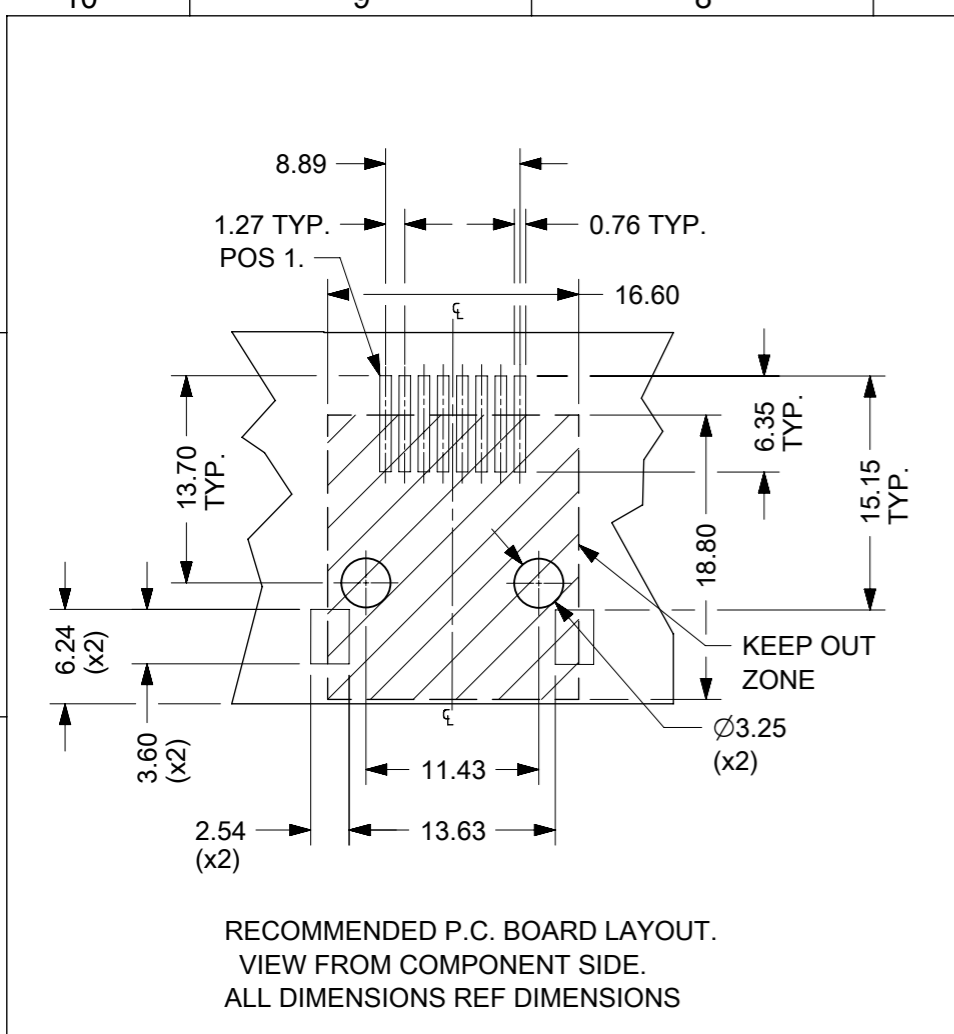
OR

GOLD FLASH OVER PALLADIUM NICKEL.

EXCEEDS PRODUCT REQUIREMENTS BASED ON PS-95622-001

SHIELD: COPPER ALLOY PLATED WITH TIN.

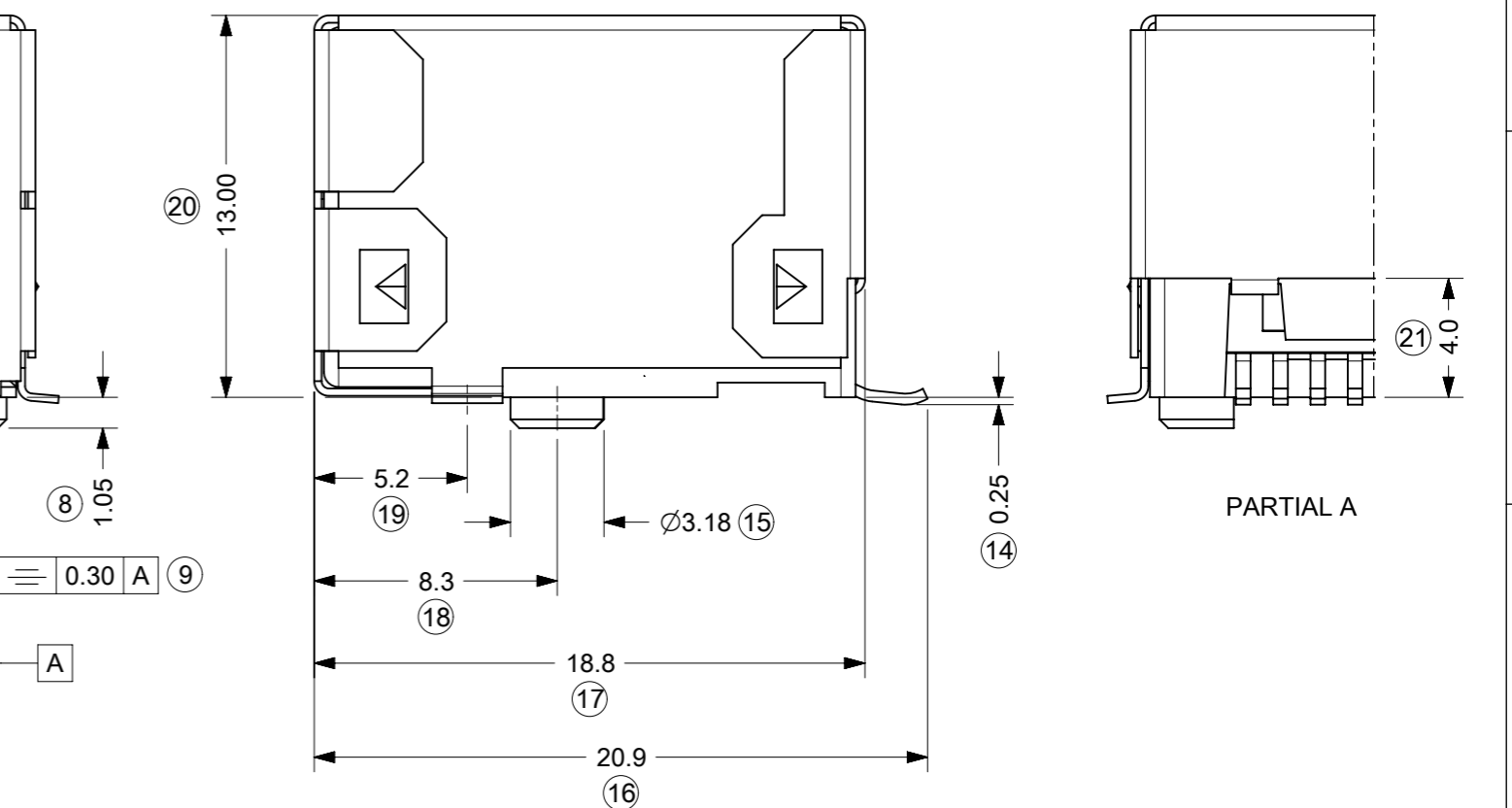
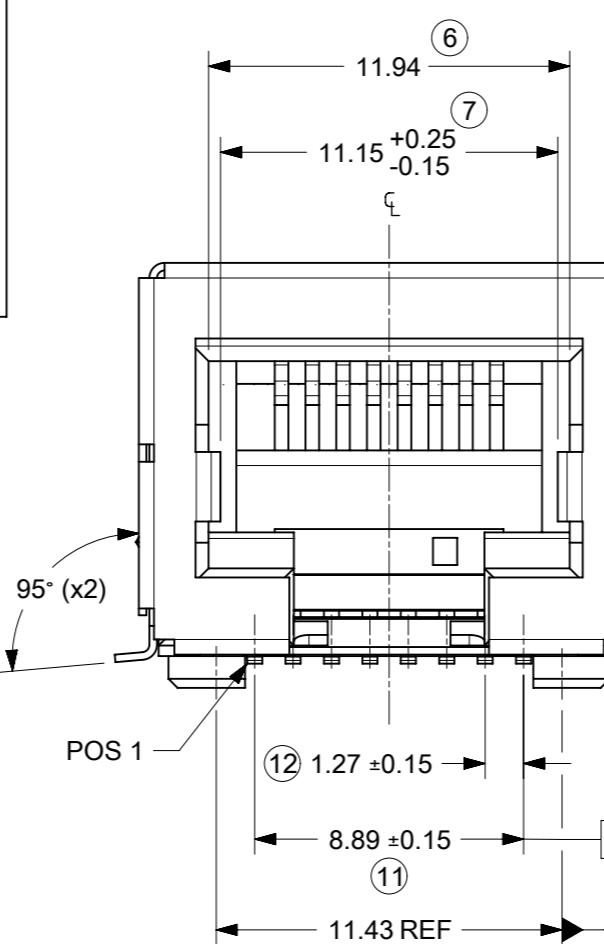
THIS DRAWING CONTAINS INFORMATION THAT IS PROPRIETARY TO MOLEX ELECTRONIC TECHNOLOGIES, LLC AND SHOULD NOT BE USED WITHOUT WRITTEN PERMISSION									
DIMENSION UNITS	SCALE	CURRENT REV DESC: ADDED PANEL CUTOUT							
mm	4:1	<p>FULLY SHIELDED TRUE SMT RIGHT ANGLE MODULAR JACK 8 CIRCUIT</p> <p>PRODUCT CUSTOMER DRAWING</p>							
GENERAL TOLERANCES (UNLESS SPECIFIED)									
ANGULAR TOL	± 2.0°								
4 PLACES	±								
3 PLACES	±								
2 PLACES	± 0.25	EC NO: 735778	2022/12/26	<p>DOCUMENT NUMBER: SD-95622-008</p> <p>DOC TYPE: PSD</p> <p>DOC PART: 001</p> <p>REVISION: D2</p>					
1 PLACE	± 0.35	DRWN: ASWINA	2023/01/27						
0 PLACES	±	CHK'D: KLANG	2023/01/27						
DRAFT WHERE APPLICABLE MUST REMAIN WITHIN DIMENSIONS		THIRD ANGLE PROJECTION	DRAWING	SERIES	MATERIAL NUMBER	CUSTOMER	SHEET NUMBER		
			A3-SIZE	95622	SEE CHART	GENERAL MARKET	1 OF 1		



- NOTES:**
- JACK FOR MATING WITH SHIELDED PLUG (MOLEX 95043 AND 85568 SERIES)
  - PRODUCT SPECIFICATION: PS-95622-001
  - PACKAGING SPECIFICATION: PK-95122-002 (TAPE AND REEL).
  - COPLANARITY OF SIGNAL LEADS: 0.10MAX
  - RECOMMENED PCB THICKNESS 1.57

LAST INSPECTION NUMBER: 22  
REMOVED INSPECTION NO: 10

**TECHNICAL SPECIFICATIONS:**  
**MATERIAL:**  
HOUSING: LCP GLASS FILLED UL 94-V0  
COLOUR BLACK.  
TERMINAL: COPPER ALLOY PLATED WITH:  
BASE FINISH: NICKEL  
CONTACT SURFACE FINISH:  
GOLD,  
OR  
GOLD FLASH OVER PALLADIUM NICKEL.  
EXCEEDS PRODUCT REQUIREMENTS BASED ON PS-95622-001  
  
SHIELD: COPPER ALLOY PLATED WITH TIN.



FUNCTIONAL SYMBOLS	THIS DRAWING CONTAINS INFORMATION THAT IS PROPRIETARY TO MOLEX ELECTRONIC TECHNOLOGIES, LLC AND SHOULD NOT BE USED WITHOUT WRITTEN PERMISSION	CURRENT REV DESC: ADDED PANEL CUTOUT																														
	<table border="1"> <tr> <th>FUNCTIONAL SYMBOLS</th> <th>DIMENSION UNITS</th> <th>SCALE</th> </tr> <tr> <td><math>\nabla_A = 0</math></td> <td>mm</td> <td>4:1</td> </tr> <tr> <td colspan="3">GENERAL TOLERANCES (UNLESS SPECIFIED)</td> </tr> <tr> <td><math>\nabla_E = 0</math></td> <td colspan="2">ANGULAR TOL <math>\pm 2.0^\circ</math></td> </tr> <tr> <td><math>\nabla_F = 0</math></td> <td colspan="2">4 PLACES <math>\pm</math></td> </tr> <tr> <td></td> <td colspan="2">3 PLACES <math>\pm</math></td> </tr> <tr> <td></td> <td colspan="2">2 PLACES <math>\pm 0.25</math></td> </tr> <tr> <td></td> <td colspan="2">1 PLACE <math>\pm 0.35</math></td> </tr> <tr> <td></td> <td colspan="2">0 PLACES <math>\pm</math></td> </tr> </table>	FUNCTIONAL SYMBOLS	DIMENSION UNITS				SCALE	$\nabla_A = 0$	mm	4:1	GENERAL TOLERANCES (UNLESS SPECIFIED)			$\nabla_E = 0$	ANGULAR TOL $\pm 2.0^\circ$		$\nabla_F = 0$	4 PLACES $\pm$			3 PLACES $\pm$			2 PLACES $\pm 0.25$			1 PLACE $\pm 0.35$			0 PLACES $\pm$		EC NO: 735778 DRWN: ASWINA CHK'D: KLANG APPR: KLANG 2022/12/26 2023/01/27 2023/01/27
FUNCTIONAL SYMBOLS	DIMENSION UNITS	SCALE																														
$\nabla_A = 0$	mm	4:1																														
GENERAL TOLERANCES (UNLESS SPECIFIED)																																
$\nabla_E = 0$	ANGULAR TOL $\pm 2.0^\circ$																															
$\nabla_F = 0$	4 PLACES $\pm$																															
	3 PLACES $\pm$																															
	2 PLACES $\pm 0.25$																															
	1 PLACE $\pm 0.35$																															
	0 PLACES $\pm$																															
DIVISIONAL SYMBOLS	DRAFT WHERE APPLICABLE MUST REMAIN WITHIN DIMENSIONS		THIRD ANGLE PROJECTION 	DRAWING A3-SIZE	SERIES 95622	DOCUMENT NUMBER SD-95622-012	DOC TYPE PSD	DOC PART 001	REVISION F3																							
MATERIAL NUMBER SEE CHART			CUSTOMER GENERAL MARKET			SHEET NUMBER 1 OF 1																										