

**PLEASE CHECK WWW.MOLEX.COM FOR LATEST PART INFORMATION**

**Part Number:** [0192000011](#)  
**Status:** **Active**  
**Overview:** [Splices](#)  
**Description:** Avikrimp Seamless Butt Splice for 18-22 AWG Wire, Super Duty

**Documents:**

<a href="#">Drawing (PDF)</a>	<a href="#">Product Specification PS-19902-013-001 (PDF)</a>
<a href="#">Product Specification PS-19902-011-001 (PDF)</a>	<a href="#">RoHS Certificate of Compliance (PDF)</a>

**General**

Product Family	Splices
Series	<a href="#">19200</a>
Comments	Red
Crimp Quality Equipment	Yes
Overview	<a href="#">Splices</a>
Product Name	Avikrimp
Taxonomy	Splices
UPC	756054362006

**Physical**

Barrel Type	Closed
Color - Resin	Red
Insulation	Nylon (PA)
Material - Metal	Copper
Material - Plating Mating	Tin
Material - Plating Termination	Tin
Net Weight	1.544/g
Packaging Type	Bag
Temperature Range - Operating	105°C
Wire Insulation Diameter	3.50mm
Wire Size AWG	18, 20, 22

**Electrical**

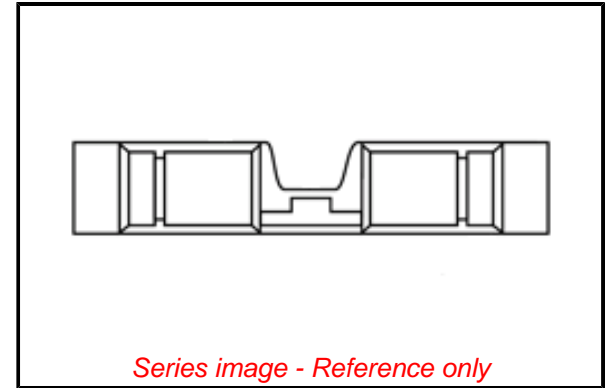
Voltage - Maximum	600V
-------------------	------

**Material Info**

Engineering Number	AS-845 BULK
--------------------	-------------

**Reference - Drawing Numbers**

Product Specification	PS-19902-011-001, PS-19902-013-001
Sales Drawing	SD-19200-001-001



**EU ELV**

**Not Relevant**

**EU RoHS**

**Compliant**

**REACH SVHC**

Not Contained Per -  
D(2020)9139-DC (19  
Jan 2021)

**Halogen-Free**

**Status**

**Low-Halogen**

For more information, please visit [Contact US](#)

China ROHS

Not Relevant

ELV

Not Relevant

RoHS Phthalates

Not Contained

**Search Parts in this Series**

[19200 Series](#)