

**PLEASE CHECK WWW.MOLEX.COM FOR LATEST PART INFORMATION**

**Part Number:** [0395430204](#)  
**Status:** **Active**  
**Overview:** Eurostyle Terminal Blocks  
**Description:** 5.00mm Pitch Eurostyle 45° Wire Entry Fixed Mount PCB Terminal Block, with Screw Pressure Clamp, 4 Circuits

**Documents:**

<a href="#">3D Model</a>	<a href="#">Drawing (PDF)</a>
<a href="#">3D Model (PDF)</a>	<a href="#">RoHS Certificate of Compliance (PDF)</a>

**Agency Certification**

UL E48521

**General**

Product Family	Terminal Blocks
Series	<a href="#">39543</a>
Application	N/A
Component Type	One Piece
Overview	<a href="#">Eurostyle Terminal Blocks</a>
Product Name	ESE, Eurostyle Fixed Mount
Taxonomy	Terminal Blocks and Barrier St
Type	Euro Block
UPC	822350536677

**Physical**

Circuits (Loaded)	4
Entry Angle	45° Angle
Lock to Mating Part	None
Number of Rows	1
Orientation	45° Angle
PC Tail Length	3.00mm
PCB Thickness - Recommended	2.00mm
Panel Mount	No
Pitch - Mating Interface	5.00mm
Pitch - Termination Interface	5.00mm
Polarized to Mating Part	N/A
Stackable	No
Temperature Range - Operating	-40° to +105°C
Wire Size AWG	14, 16, 18, 20, 22, 24
Wire Size mm <sup>2</sup>	0.20-2.08

**Electrical**

Current - Maximum per Contact	10.0A
Voltage - Maximum	300V

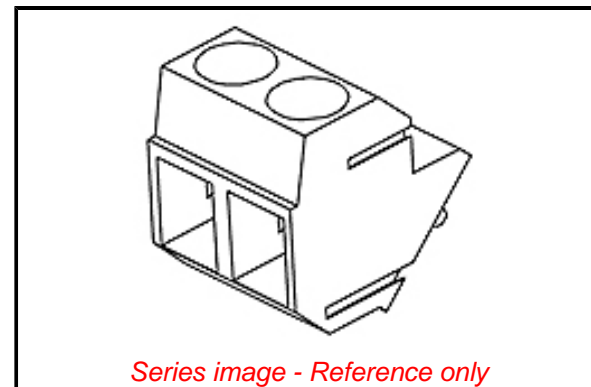
**Solder Process Data**

Duration at Max. Process Temperature (seconds)	005
Lead-free Process Capability	WAVE
Max. Cycles at Max. Process Temperature	135
Process Temperature max. C	260

**Material Info**

**Reference - Drawing Numbers**

Sales Drawing	SD-39543-001-001
---------------	------------------



**EU ELV**

**Not Relevant**

**EU RoHS**

**Compliant with Exemption 6(c)**

**REACH SVHC**

Contained Per -  
D(2022)4187-DC (10  
June 2022)

Lead

**Halogen-Free**

**Status**

**Low-Halogen**

For more information, please visit [Contact US](#)

China ROHS

50 Image

ELV

Not Relevant

RoHS Phthalates

Not Contained

**Search Parts in this Series**

[39543 Series](#)

**PLEASE CHECK [WWW.MOLEX.COM](http://WWW.MOLEX.COM) FOR LATEST PART INFORMATION**