

PLEASE CHECK WWW.MOLEX.COM FOR LATEST PART INFORMATION

Part Number: [0586910020](#)
Status: **Active**
Overview: HMC Heavy Duty Rectangular Connectors
Description: HMC Rectangular Industrial Panel-Mount Bracket, Multi-Module Type, 36 Circuits, Type B Polarization

Documents:

3D Model	Application Specification AS-58696-004-001 (PDF)
Drawing (PDF)	Application Specification AS-58696-005-001 (PDF)
3D Model (PDF)	Application Specification AS-58696-006-001 (PDF)
Product Specification PS-58691-004-001 (PDF)	RoHS Certificate of Compliance (PDF)

General

Product Family	I/O Connectors
Series	58691
Application	Panel-Mount
Component Type	Panel-Mount Bracket
Overview	HMC Heavy Duty Rectangular Connectors
Product Name	HMC
Taxonomy	I/O Connectors
Type	N/A
UPC	800753920576

Physical

Circuits (Loaded)	36
Circuits (maximum)	36
Durability (mating cycles max)	50
Lock to Mating Part	Yes
Material - Metal	Brass
Material - Plating Mating	Copper
Material - Plating Termination	Copper
Net Weight	83274.500/mg
Orientation	Vertical
Packaging Type	Bag
Panel Mount	Screws
Pitch - Mating Interface	N/A
Plating min - Mating	0.508µm
Plating min - Termination	0.508µm
Polarized to Mating Part	Yes
Temperature Range - Operating	-55° to +125°C
Termination Interface: Style	Surface Mount
Waterproof / Dustproof	Yes
Waterproof / Dustproof Type	IP65

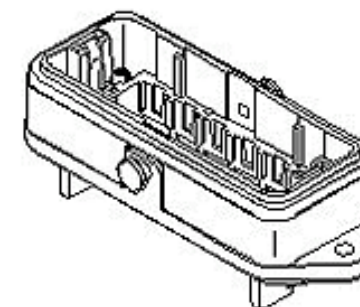
Electrical

Current - Maximum per Contact	12.0A
Voltage - Maximum	250V AC

Material Info

Reference - Drawing Numbers

Application Specification	AS-58696-004-001, AS-58696-005-001, AS-58696-006-001
Product Specification	PS-58691-004-001
Sales Drawing	SD-58691-002-001



Series image - Reference only

EU ELV

Not Relevant

EU RoHS

Compliant with Exemption 6(a)-I,6(b)-II

REACH SVHC

Contained Per - D(2022)4187-DC (10 June 2022)

Lead

Halogen-Free

Status

Low-Halogen

For more information, please visit [Contact US](#)

China ROHS

50 Image

ELV

Not Relevant

RoHS Phthalates

Not Contained

Search Parts in this Series

[58691](#) Series

Mates With

[586870020](#) Hood Bracket, [58696](#) Hood

Use With

[51201](#) dust Cover, [51192](#) Housing, [51193](#) Housing

This document was generated on 02/13/2023

PLEASE CHECK WWW.MOLEX.COM FOR LATEST PART INFORMATION