

**PLEASE CHECK WWW.MOLEX.COM FOR LATEST PART INFORMATION**

**Part Number:** [0622008400](#)  
**Status:** **Active**  
**Overview:** [Application Tooling](#)  
**Description:** Compliant Pin Insertion Flat Rock Tool

**Documents:**

[RoHS Certificate of Compliance \(PDF\)](#)

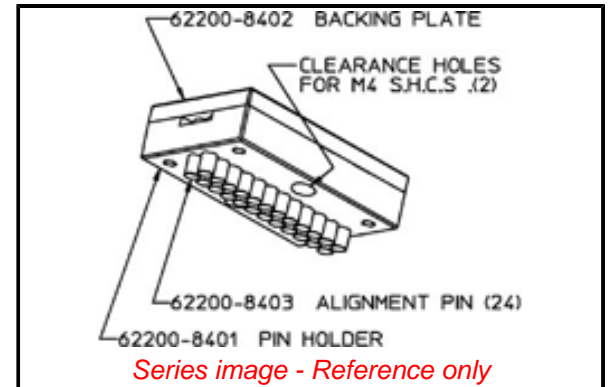
**General**

|                                |   |
|--------------------------------|---|
| Product Family                 | Application Tooling   |
| Series                         | <a href="#">207122</a>  |
| Function                       | Insertion   |
| Geographic Area                | Global  |
| Level of Automation            | Manual  |
| More Detailed Tech Information | <a href="mailto:applicationtooling@molex.com">applicationtooling@molex.com</a>  |
| Overview                       | <a href="#">Application Tooling</a>   |
| Product Name                   | N/A   |
| Taxonomy                       | Application Tooling Accessorie  |
| Tool Type                      | Press-Fit Insertion Tool  |
| UPC                            | 756054584590  |
| Warranty Disclaimer            | CAUTION: Molex tooling crimp specifications are valid only when used with Molex terminals and tooling manufactured by Molex and sold by Molex or authorized distributors ("Molex Tooling"). When using tooling other than Molex Tooling with Molex specific connector systems listed in our ATS documents, the Molex tooling qualification does not apply and the responsibility for full qualification of the connector system is that of the customer. Molex accepts no liability for connector performance or tooling support where tooling other than Molex Tooling is used or where Molex Tooling is modified. |

**Material Info**

**Reference - Drawing Numbers**  
Application Tooling Documents

ATS-622008400-001



**EU ELV**

**Not Relevant**

**EU RoHS**

**Not Reviewed**

**REACH SVHC**

Not Reviewed

**Halogen-Free**

**Status**

**Not Relevant**

For more information, please visit [Contact US](#)

China ROHS

Not Relevant

ELV

Not Relevant

RoHS Phthalates

Not Reviewed

**Search Parts in this Series**

[207122 Series](#)

**Application Tooling** | **FAQ**  
**Description** | **Product #**

|   |                           |
|---|---------------------------|
| Micro-Fit BMI CPI<br>Compliant Pin<br>Header, Blind Mate<br>Interface, Dual Row,<br>Vertical, 4 Circuits,<br>PA Polyamide Nylon<br>4/6, UL 94V-0, Tin<br>(Sn) Over Nickel (Ni)<br>Plating                                       | <a href="#">452800401</a> |
| MicroFit 3.0 Hdr Vert<br>CPI 4ckt Matte Sn  | <a href="#">452800404</a> |
| Micro-Fit BMI CPI<br>Compliant Pin<br>Header, Blind Mate<br>Interface, Dual Row,<br>Vertical, 4 Circuits,<br>PA Polyamide Nylon<br>4/6, UL 94V-0,<br>0.38µm Gold (Au)<br>Selective Contact<br>Plating, Tin (Sn) Tail<br>Plating | <a href="#">452800452</a> |

Micro-Fit BMI CPI 452800601  
Compliant Pin  
Header, Blind Mate  
Interface, Dual Row,  
Vertical, 6 Circuits,  
PA Polyamide Nylon  
4/6, UL 94V-0, Tin  
(Sn) Over Nickel (Ni)  
Plating

Micro-Fit BMI CPI 452800652  
Compliant Pin  
Header, Blind Mate  
Interface, Dual Row,  
Vertical, 6 Circuits,  
PA Polyamide Nylon  
4/6, UL 94V-0,  
0.38 $\mu$ m Gold (Au)  
Selective Contact  
Plating, Tin (Sn) Tail  
Plating

Micro-Fit BMI CPI 452800653  
Compliant Pin  
Header, Blind Mate  
Interface, Dual Row,  
Vertical, 6 Circuits,  
PA Polyamide Nylon  
4/6, UL 94V-0,  
0.76 $\mu$ m Gold (Au)  
Selective Contact  
Plating, Tin (Sn) Tail  
Plating

Micro-Fit BMI CPI 452800801  
Compliant Pin  
Header, Blind Mate  
Interface, Dual Row,  
Vertical, 8 Circuits,  
PA Polyamide Nylon  
4/6, UL 94V-0, Tin  
(Sn) Over Nickel (Ni)  
Plating

Micro-Fit BMI CPI 452800852  
Compliant Pin  
Header, Blind Mate  
Interface, Dual Row,  
Vertical, 8 Circuits,  
PA Polyamide Nylon  
4/6, UL 94V-0,  
0.38 $\mu$ m Gold (Au)  
Selective Contact  
Plating, Tin (Sn) Tail  
Plating

Micro-Fit BMI CPI 452800853  
Compliant Pin  
Header, Blind Mate  
Interface, Dual Row,  
Vertical, 8 Circuits,  
PA Polyamide Nylon  
4/6, UL 94V-0,  
0.76 $\mu$ m Gold (Au)  
Selective Contact  
Plating, Tin (Sn) Tail  
Plating

Micro-Fit BMI CPI 452801001  
Compliant Pin  
Header, Blind Mate

Interface, Dual Row,  
Vertical, 10 Circuits,  
PA Polyamide Nylon  
4/6, UL 94V-0, Tin  
(Sn) Over Nickel (Ni)  
Plating

MicroFit 3.0 Hdr Vert [452801004](#)

CPI 10ckt Matte Sn

Micro-Fit BMI CPI [452801052](#)

Compliant Pin

Header, Blind Mate

Interface, Dual Row,

Vertical, 10 Circuits,

PA Polyamide Nylon

4/6, UL 94V-0,

0.38 $\mu$ m Gold (Au)

Selective Contact

Plating, Tin (Sn) Tail

Plating

Micro-Fit BMI CPI [452801053](#)

Compliant Pin

Header, Blind Mate

Interface, Dual Row,

Vertical, 10 Circuits,

PA Polyamide Nylon

4/6, UL 94V-0,

0.76 $\mu$ m Gold (Au)

Selective Contact

Plating, Tin (Sn) Tail

Plating

Micro-Fit BMI CPI [452801201](#)

Compliant Pin

Header, Blind Mate

Interface, Dual Row,

Vertical, 12 Circuits,

PA Polyamide Nylon

4/6, UL 94V-0, Tin

(Sn) Over Nickel (Ni)

Plating

Micro-Fit BMI CPI [452801252](#)

Compliant Pin

Header, Blind Mate

Interface, Dual Row,

Vertical, 12 Circuits,

PA Polyamide Nylon

4/6, UL 94V-0,

0.38 $\mu$ m Gold (Au)

Selective Contact

Plating, Tin (Sn) Tail

Plating

Micro-Fit BMI CPI [452801253](#)

Compliant Pin

Header, Blind Mate

Interface, Dual Row,

Vertical, 12 Circuits,

PA Polyamide Nylon

4/6, UL 94V-0,

0.76 $\mu$ m Gold (Au)

Selective Contact

Plating, Tin (Sn) Tail

Plating

Micro-Fit BMI CPI [452801401](#)

Compliant Pin

Header, Blind Mate

Interface, Dual Row,

Vertical, 14 Circuits,  
PA Polyamide Nylon  
4/6, UL 94V-0, Tin  
(Sn) Over Nickel (Ni)  
Plating

Micro-Fit BMI CPI [452801452](#)

Compliant Pin  
Header, Blind Mate  
Interface, Dual Row,  
Vertical, 14 Circuits,  
PA Polyamide Nylon  
4/6, UL 94V-0,  
0.38 $\mu$ m Gold (Au)  
Selective Contact  
Plating, Tin (Sn) Tail  
Plating

Micro-Fit BMI CPI [452801453](#)

Compliant Pin  
Header, Blind Mate  
Interface, Dual Row,  
Vertical, 14 Circuits,  
PA Polyamide Nylon  
4/6, UL 94V-0,  
0.76 $\mu$ m Gold (Au)  
Selective Contact  
Plating, Tin (Sn) Tail  
Plating

Micro-Fit BMI CPI [452801601](#)

Compliant Pin  
Header, Blind Mate  
Interface, Dual Row,  
Vertical, 16 Circuits,  
PA Polyamide Nylon  
4/6, UL 94V-0, Tin  
(Sn) Over Nickel (Ni)  
Plating

Micro-Fit BMI CPI [452801652](#)

Compliant Pin  
Header, Blind Mate  
Interface, Dual Row,  
Vertical, 16 Circuits,  
PA Polyamide Nylon  
4/6, UL 94V-0,  
0.38 $\mu$ m Gold (Au)  
Selective Contact  
Plating, Tin (Sn) Tail  
Plating

Micro-Fit BMI CPI [452801653](#)

Compliant Pin  
Header, Blind Mate  
Interface, Dual Row,  
Vertical, 16 Circuits,  
PA Polyamide Nylon  
4/6, UL 94V-0,  
0.76 $\mu$ m Gold (Au)  
Selective Contact  
Plating, Tin (Sn) Tail  
Plating

Micro-Fit BMI CPI [452801801](#)

Compliant Pin  
Header, Blind Mate  
Interface, Dual Row,  
Vertical, 18 Circuits,  
PA Polyamide Nylon  
4/6, UL 94V-0, Tin

(Sn) Over Nickel (Ni)  
Plating

Micro-Fit BMI CPI [452801852](#)

Compliant Pin  
Header, Blind Mate  
Interface, Dual Row,  
Vertical, 18 Circuits,  
PA Polyamide Nylon  
4/6, UL 94V-0,  
0.38 $\mu$ m Gold (Au)  
Selective Contact  
Plating, Tin (Sn) Tail  
Plating

Micro-Fit BMI CPI [452801853](#)

Compliant Pin  
Header, Blind Mate  
Interface, Dual Row,  
Vertical, 18 Circuits,  
PA Polyamide Nylon  
4/6, UL 94V-0,  
0.76 $\mu$ m Gold (Au)  
Selective Contact  
Plating, Tin (Sn) Tail  
Plating

Micro-Fit BMI CPI [452802001](#)

Compliant Pin  
Header, Blind Mate  
Interface, Dual Row,  
Vertical, 20 Circuits,  
PA Polyamide Nylon  
4/6, UL 94V-0, Tin  
(Sn) Over Nickel (Ni)  
Plating

Micro-Fit BMI CPI [452802052](#)

Compliant Pin  
Header, Blind Mate  
Interface, Dual Row,  
Vertical, 20 Circuits,  
PA Polyamide Nylon  
4/6, UL 94V-0,  
0.38 $\mu$ m Gold (Au)  
Selective Contact  
Plating, Tin (Sn) Tail  
Plating

Micro-Fit BMI CPI [452802053](#)

Compliant Pin  
Header, Blind Mate  
Interface, Dual Row,  
Vertical, 20 Circuits,  
PA Polyamide Nylon  
4/6, UL 94V-0,  
0.76 $\mu$ m Gold (Au)  
Selective Contact  
Plating, Tin (Sn) Tail  
Plating

Micro-Fit BMI CPI [452802401](#)

Compliant Pin  
Header, Blind Mate  
Interface, Dual Row,  
Vertical, 24 Circuits,  
PA Polyamide Nylon  
4/6, UL 94V-0, Tin  
(Sn) Over Nickel (Ni)  
Plating

Micro-Fit BMI CPI [452802452](#)  
Compliant Pin  
Header, Blind Mate  
Interface, Dual Row,  
Vertical, 24 Circuits,  
PA Polyamide Nylon  
4/6, UL 94V-0,  
0.38µm Gold (Au)  
Selective Contact  
Plating, Tin (Sn) Tail  
Plating

Micro-Fit BMI CPI [452802453](#)  
Compliant Pin  
Header, Blind Mate  
Interface, Dual Row,  
Vertical, 24 Circuits,  
PA Polyamide Nylon  
4/6, UL 94V-0,  
0.76µm Gold (Au)  
Selective Contact  
Plating, Tin (Sn) Tail  
Plating

This document was generated on 10/07/2022

**PLEASE CHECK [WWW.MOLEX.COM](http://WWW.MOLEX.COM) FOR LATEST PART INFORMATION**