

**PLEASE CHECK WWW.MOLEX.COM FOR LATEST PART INFORMATION**

**Part Number:** [0622018651](#)  
**Status:** **Active**  
**Overview:** [Application Tooling](#)  
**Description:** Backplane Module Installation, Press-In Tool

**Documents:**  
[RoHS Certificate of Compliance \(PDF\)](#)

**General**

Product Family	Application Tooling
Series	<a href="#">207123</a>
Comments	See Tooling Specification (PDF) Above
Function	Insertion
Geographic Area	Global
Level of Automation	Manual
More Detailed Tech Information	<a href="mailto:applicationtooling@molex.com">applicationtooling@molex.com</a>
Overview	<a href="#">Application Tooling</a>
Product Name	Impact
Tool Type	Press-Fit Insertion Tool
UPC	883906116064
Warranty Disclaimer	CAUTION: Molex tooling crimp specifications are valid only when used with Molex terminals and tooling manufactured by Molex and sold by Molex or authorized distributors ("Molex Tooling"). When using tooling other than Molex Tooling with Molex specific connector systems listed in our ATS documents, the Molex tooling qualification does not apply and the responsibility for full qualification of the connector system is that of the customer. Molex accepts no liability for connector performance or tooling support where tooling other than Molex Tooling is used or where Molex Tooling is modified.

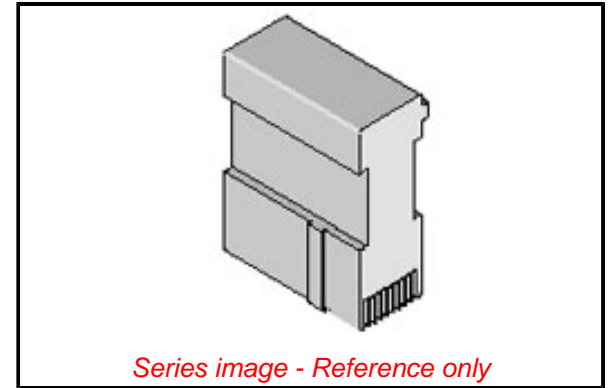
**Physical**

Net Weight 105.700/g

**Material Info**

**Reference - Drawing Numbers**

Application Tooling Documents [ATS-622018651-001](#), [TM-622018799-001](#)



**EU ELV**

**Not Relevant**

**EU RoHS**

**Compliant**

**REACH SVHC**

Not Contained Per  
-ED/01/2018 (15  
January 2018)

**Halogen-Free**

**Status**

**Not Relevant**

For more information, please visit [Contact US](#)

China ROHS

ELV

RoHS Phthalates

**China RoHS**

Not Relevant

Not Relevant

Not Contained

**Search Parts in this Series**

[207123 Series](#)

**Use With**

[76165 Impact Backplane Signal Modules Assembly](#)

**Application Tooling** | [FAQ](#)

Description	Product #
Impact 100 Ohm 3 Pair Vertical Backplane Header, Unguided, Open Endwall, 16 Columns, 144 Circuits, Pin Length 5.50mm, Plated Through Hole Dimension 0.39mm, MAPS, Lead Free	<a href="#">1712921608</a>
Impact 100 Ohm 3 Pair Vertical Backplane Header, Unguided, Dual Endwall, 16	<a href="#">1712921628</a>

Columns, 144  
Circuits, Pin Length  
5.50mm, Plated  
Through Hole  
Dimension 0.39mm,  
Lead Free  
Impact 100 Ohm 761651603  
3 Pair Vertical  
Backplane Header,  
Unguided, Open  
Endwall, 16  
Columns, 144  
Circuits, Pin Length  
4.50mm, Plated  
Through Hole  
Dimension 0.46mm,  
Lead-Free  
Impact 100 Ohm 761651604  
3 Pair Vertical  
Backplane Header,  
Unguided, Open  
Endwall, 16  
Columns, 144  
Circuits, Pin Length  
4.90mm, Plated  
Through Hole  
Dimension 0.46mm,  
Lead-Free  
Impact 100 Ohm 761651605  
3 Pair Vertical  
Backplane Header,  
Unguided, Open  
Endwall, 16  
Columns, 144  
Circuits, Pin Length  
5.50mm, Plated  
Through Hole  
Dimension 0.46mm,  
Lead-Free  
Impact 100 Ohm 761651606  
3 Pair Vertical  
Backplane Header,  
Unguided, Open  
Endwall, 16  
Columns, 144  
Circuits, Pin Length  
4.50mm, Plated  
Through Hole  
Dimension 0.39mm,  
Lead-Free  
Impact 100 Ohm 761651607  
3 Pair Vertical  
Backplane Header,  
Unguided, Open  
Endwall, 16  
Columns, 144  
Circuits, Pin Length  
4.90mm, Plated  
Through Hole  
Dimension 0.39mm,  
Lead-Free  
Impact 100 Ohm 761651608  
3 Pair Vertical  
Backplane Header,  
Unguided, Open

Endwall, 16  
Columns, 144  
Circuits, Pin Length  
5.50mm, Plated  
Through Hole  
Dimension 0.39mm,  
Lead-Free  
Impact 100 Ohm 761651613  
3 Pair Vertical  
Backplane Header,  
Unguided, Left  
Endwall, 16  
Columns, 144  
Circuits, Pin Length  
4.50mm, Plated  
Through Hole  
Dimension 0.46mm,  
Lead-Free  
Impact 100 Ohm 761651614  
3 Pair Vertical  
Backplane Header,  
Unguided, Left  
Endwall, 16  
Columns, 144  
Circuits, Pin Length  
4.90mm, Plated  
Through Hole  
Dimension 0.46mm,  
Lead-Free  
Impact 100 Ohm 761651615  
3 Pair Vertical  
Backplane Header,  
Unguided, Left  
Endwall, 16  
Columns, 144  
Circuits, Pin Length  
5.50mm, Plated  
Through Hole  
Dimension 0.46mm,  
Lead-Free  
Impact 100 Ohm 761651616  
3 Pair Vertical  
Backplane Header,  
Unguided, Left  
Endwall, 16  
Columns, 144  
Circuits, Pin Length  
4.50mm, Plated  
Through Hole  
Dimension 0.39mm,  
Lead-Free  
Impact 100 Ohm 761651617  
3 Pair Vertical  
Backplane Header,  
Unguided, Left  
Endwall, 16  
Columns, 144  
Circuits, Pin Length  
4.90mm, Plated  
Through Hole  
Dimension 0.39mm,  
Lead-Free  
Impact 100 Ohm 761651618  
3 Pair Vertical  
Backplane Header,

Unguided, Left  
Endwall, 16  
Columns, 144  
Circuits, Pin Length  
5.50mm, Plated  
Through Hole  
Dimension 0.39mm,  
Lead-Free  
Impact 100 Ohm [761651623](#)  
3 Pair Vertical  
Backplane Header,  
Unguided, Dual  
Endwall, 16  
Columns, 144  
Circuits, Pin Length  
4.50mm, Plated  
Through Hole  
Dimension 0.46mm,  
Lead-Free  
Impact 100 Ohm [761651624](#)  
3 Pair Vertical  
Backplane Header,  
Unguided, Dual  
Endwall, 16  
Columns, 144  
Circuits, Pin Length  
4.90mm, Plated  
Through Hole  
Dimension 0.46mm,  
Lead-Free  
Impact 100 Ohm [761651625](#)  
3 Pair Vertical  
Backplane Header,  
Unguided, Dual  
Endwall, 16  
Columns, 144  
Circuits, Pin Length  
5.50mm, Plated  
Through Hole  
Dimension 0.46mm,  
Lead-Free  
Impact 100 Ohm [761651626](#)  
3 Pair Vertical  
Backplane Header,  
Unguided, Dual  
Endwall, 16  
Columns, 144  
Circuits, Pin Length  
4.50mm, Plated  
Through Hole  
Dimension 0.39mm,  
Lead-Free  
Impact 100 Ohm [761651627](#)  
3 Pair Vertical  
Backplane Header,  
Unguided, Dual  
Endwall, 16  
Columns, 144  
Circuits, Pin Length  
4.90mm, Plated  
Through Hole  
Dimension 0.39mm,  
Lead-Free  
Impact 100 Ohm [761651628](#)  
3 Pair Vertical

Backplane Header,  
Unguided, Dual  
Endwall, 16  
Columns, 144  
Circuits, Pin Length  
5.50mm, Plated  
Through Hole  
Dimension 0.39mm,  
Lead-Free

Impact 100 Ohm [761651633](#)

3 Pair Vertical  
Backplane Header,  
Unguided, Right  
Endwall, 16  
Columns, 144  
Circuits, Pin Length  
4.50mm, Plated  
Through Hole  
Dimension 0.46mm,  
Lead-Free

Impact 100 Ohm [761651634](#)

3 Pair Vertical  
Backplane Header,  
Unguided, Right  
Endwall, 16  
Columns, 144  
Circuits, Pin Length  
4.90mm, Plated  
Through Hole  
Dimension 0.46mm,  
Lead-Free

Impact 100 Ohm [761651635](#)

3 Pair Vertical  
Backplane Header,  
Unguided, Right  
Endwall, 16  
Columns, 144  
Circuits, Pin Length  
5.50mm, Plated  
Through Hole  
Dimension 0.46mm,  
Lead-Free

Impact 100 Ohm [761651636](#)

3 Pair Vertical  
Backplane Header,  
Unguided, Right  
Endwall, 16  
Columns, 144  
Circuits, Pin Length  
4.50mm, Plated  
Through Hole  
Dimension 0.39mm,  
Lead-Free

Impact 100 Ohm [761651637](#)

3 Pair Vertical  
Backplane Header,  
Unguided, Right  
Endwall, 16  
Columns, 144  
Circuits, Pin Length  
4.90mm, Plated  
Through Hole  
Dimension 0.39mm,  
Lead-Free

Impact 100 Ohm 3 Pair Vertical Backplane Header, Unguided, Right Endwall, 16 Columns, 144 Circuits, Pin Length 5.50mm, Plated Through Hole Dimension 0.39mm, Lead-Free	<u>761651638</u>
Impact 100 Ohm 3 Pair Vertical Backplane Header, Left Guide, Open Endwall, 16 Columns, 144 Circuits, Pin Length 4.50mm, Plated Through Hole Dimension 0.46mm, Lead-Free	<u>761653603</u>
Impact 100 Ohm 3 Pair Vertical Backplane Header, Left Guide, Open Endwall, 16 Columns, 144 Circuits, Pin Length 4.90mm, Plated Through Hole Dimension 0.46mm, Lead-Free	<u>761653604</u>
Impact 100 Ohm 3 Pair Vertical Backplane Header, Left Guide, Open Endwall, 16 Columns, 144 Circuits, Pin Length 5.50mm, Plated Through Hole Dimension 0.46mm, Lead-Free	<u>761653605</u>
Impact 100 Ohm 3 Pair Vertical Backplane Header, Left Guide, Open Endwall, 16 Columns, 144 Circuits, Pin Length 4.50mm, Plated Through Hole Dimension 0.39mm, Lead-Free	<u>761653606</u>
Impact 100 Ohm 3 Pair Vertical Backplane Header, Left Guide, Open Endwall, 16 Columns, 144 Circuits, Pin Length 4.90mm, Plated Through Hole	<u>761653607</u>

Dimension 0.39mm,  
Lead-Free

Impact 100 Ohm 761653608

3 Pair Vertical  
Backplane Header,  
Left Guide, Open  
Endwall, 16

Columns, 144  
Circuits, Pin Length  
5.50mm, Plated  
Through Hole

Dimension 0.39mm,  
Lead-Free

Impact 100 Ohm 761655603

3 Pair Vertical  
Backplane Header,  
Right Guide,  
Open Endwall,

16 Columns, 144  
Circuits, Pin Length  
4.50mm, Plated  
Through Hole

Dimension 0.46mm,  
Lead-Free

Impact 100 Ohm 761655604

3 Pair Vertical  
Backplane Header,  
Right Guide,  
Open Endwall,

16 Columns, 144  
Circuits, Pin Length  
4.90mm, Plated  
Through Hole

Dimension 0.46mm,  
Lead-Free

Impact 100 Ohm 761655605

3 Pair Vertical  
Backplane Header,  
Right Guide,  
Open Endwall,

16 Columns, 144  
Circuits, Pin Length  
5.50mm, Plated  
Through Hole

Dimension 0.46mm,  
Lead-Free

Impact 100 Ohm 761655606

3 Pair Vertical  
Backplane Header,  
Right Guide,  
Open Endwall,

16 Columns, 144  
Circuits, Pin Length  
4.50mm, Plated  
Through Hole

Dimension 0.39mm,  
Lead-Free

Impact 100 Ohm 761655607

3 Pair Vertical  
Backplane Header,  
Right Guide,  
Open Endwall,

16 Columns, 144  
Circuits, Pin Length  
4.90mm, Plated

Through Hole  
Dimension 0.39mm,  
Lead-Free  
Impact 100 Ohm 761655608  
3 Pair Vertical  
Backplane Header,  
Right Guide,  
Open Endwall,  
16 Columns, 144  
Circuits, Pin Length  
5.50mm, Plated

Through Hole  
Dimension 0.39mm,  
Lead-Free  
Impact 100 Ohm 761655617  
3 Pair Vertical  
Backplane Header,  
Right Guide,  
Open Endwall,  
16 Columns,  
144 Circuits, Pin  
Length4.90mm,  
Plated Through Hole  
Dimension 0.39mm ,  
Keying Orientation A,  
Lead-Free  
Impact 100 Ohm 761655627  
3 Pair Vertical  
Backplane Header,  
Right Guide,  
Open Endwall,  
16 Columns,  
144 Circuits, Pin  
Length4.90mm,  
Plated Through Hole  
Dimension 0.39mm ,  
Keying Orientation B,  
Lead-Free  
Impact 100 Ohm 761655637  
3 Pair Vertical  
Backplane Header,  
Right Guide,  
Open Endwall,  
16 Columns,  
144 Circuits, Pin  
Length4.90mm,  
Plated Through Hole  
Dimension 0.39mm ,  
Keying Orientation C,  
Lead-Free  
Impact 100 Ohm 761657603  
3 Pair Vertical  
Backplane Header,  
Left Guide, Right  
Endwall, 16  
Columns, 144  
Circuits, Pin Length  
4.50mm, Plated

Through Hole  
Dimension 0.46mm,  
Lead-Free  
Impact 100 Ohm 761657604  
3 Pair Vertical  
Backplane Header,  
Left Guide, Right



Endwall, 16  
Columns, 144  
Circuits, Pin Length  
4.90mm, Plated  
Through Hole  
Dimension 0.46mm,  
Lead-Free  
Impact 100 Ohm 761657605  
3 Pair Vertical  
Backplane Header,  
Left Guide, Right  
Endwall, 16  
Columns, 144  
Circuits, Pin Length  
5.50mm, Plated  
Through Hole  
Dimension 0.46mm,  
Lead-Free  
Impact 100 Ohm 761657606  
3 Pair Vertical  
Backplane Header,  
Left Guide, Right  
Endwall, 16  
Columns, 144  
Circuits, Pin Length  
4.50mm, Plated  
Through Hole  
Dimension 0.39mm,  
Lead-Free  
Impact 100 Ohm 761657607  
3 Pair Vertical  
Backplane Header,  
Left Guide, Right  
Endwall, 16  
Columns, 144  
Circuits, Pin Length  
4.90mm, Plated  
Through Hole  
Dimension 0.39mm,  
Lead-Free  
Impact 100 Ohm 761657608  
3 Pair Vertical  
Backplane Header,  
Left Guide, Right  
Endwall, 16  
Columns, 144  
Circuits, Pin Length  
5.50mm, Plated  
Through Hole  
Dimension 0.39mm,  
Lead-Free  
Impact 100 Ohm 761659603  
3 Pair Vertical  
Backplane Header,  
Right Guide,  
Left Endwall, 16  
Columns, 144  
Circuits, Pin Length  
4.50mm, Plated  
Through Hole  
Dimension 0.46mm,  
Lead-Free  
Impact 100 Ohm 761659604  
3 Pair Vertical  
Backplane Header,

Right Guide,  
Left Endwall, 16  
Columns, 144  
Circuits, Pin Length  
4.90mm, Plated  
Through Hole  
Dimension 0.46mm,  
Lead-Free

Impact 100 Ohm 761659605

3 Pair Vertical  
Backplane Header,  
Right Guide,  
Left Endwall, 16  
Columns, 144  
Circuits, Pin Length  
5.50mm, Plated  
Through Hole  
Dimension 0.46mm,  
Lead-Free

Impact 100 Ohm 761659606

3 Pair Vertical  
Backplane Header,  
Right Guide,  
Left Endwall, 16  
Columns, 144  
Circuits, Pin Length  
4.50mm, Plated  
Through Hole  
Dimension 0.39mm,  
Lead-Free

Impact 100 Ohm 761659607

3 Pair Vertical  
Backplane Header,  
Right Guide,  
Left Endwall, 16  
Columns, 144  
Circuits, Pin Length  
4.90mm, Plated  
Through Hole  
Dimension 0.39mm,  
Lead-Free

Impact 100 Ohm 761659608

3 Pair Vertical  
Backplane Header,  
Right Guide,  
Left Endwall, 16  
Columns, 144  
Circuits, Pin Length  
5.50mm, Plated  
Through Hole  
Dimension 0.39mm,  
Lead-Free

Impact 100 Ohm 761659615

3 Pair Vertical  
Backplane Header,  
Right Guided,  
Left Endwall, 16  
Columns, 144  
Circuits, Pin Length  
5.50mm, Plated  
Through Hole  
Dimension 0.46mm,  
Key Position A, Lead  
Free

Impact 100 Ohm 761659665  
3 Pair Vertical  
Backplane Header,  
Right Guided,  
Left Endwall, 16  
Columns, 144  
Circuits, Pin Length  
5.50mm, Plated  
Through Hole  
Dimension 0.46mm,  
Key Position F, Lead  
Free

Impact 100 Ohm 761659675  
3 Pair Vertical  
Backplane Header,  
Right Guided,  
Left Endwall, 16  
Columns, 144  
Circuits, Pin Length  
5.50mm, Plated  
Through Hole  
Dimension 0.46mm,  
Key Position G, Lead  
Free

This document was generated on 07/26/2021

**PLEASE CHECK [WWW.MOLEX.COM](http://WWW.MOLEX.COM) FOR LATEST PART INFORMATION**