

PLEASE CHECK WWW.MOLEX.COM FOR LATEST PART INFORMATION

Part Number: [0622018782](#)
Status: **Active**
Overview: [Application Tooling](#)
Description: Daughter Card Module Installation Press-In Tool

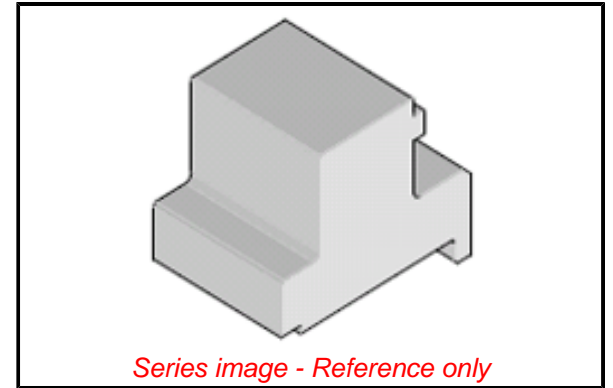
Documents:
[RoHS Certificate of Compliance \(PDF\)](#)

General

Product Family	Application Tooling
Series	207123
Function	Insertion
Geographic Area	Global
Level of Automation	Semi-Automatic
More Detailed Tech Information	applicationtooling@molex.com
Overview	Application Tooling
Product Name	Impact
Tool Type	Press-Fit Insertion Tool
UPC	884982282131
Warranty Disclaimer	CAUTION: Molex tooling crimp specifications are valid only when used with Molex terminals and tooling manufactured by Molex and sold by Molex or authorized distributors ("Molex Tooling"). When using tooling other than Molex Tooling with Molex specific connector systems listed in our ATS documents, the Molex tooling qualification does not apply and the responsibility for full qualification of the connector system is that of the customer. Molex accepts no liability for connector performance or tooling support where tooling other than Molex Tooling is used or where Molex Tooling is modified.

Material Info

Reference - Drawing Numbers
Application Tooling Documents [ATS-622018782](#)



EU ELV

Not Reviewed

EU RoHS

Not Reviewed

REACH SVHC

Not Reviewed

Halogen-Free

Status

Not Reviewed

For more information, please visit [Contact US](#)

China ROHS

Not Reviewed

ELV

Not Reviewed

RoHS Phthalates

Not Reviewed

Search Parts in this Series

[207123 Series](#)

Use With

Impact Daughtercard Signal Module Assembly (5-Pair by 14 Column Assemblies) [76060](#)

Application Tooling | FAQ

Description	Product #
-------------	-----------

Impact 100 Ohm 5 Pair Right-Angle Daughtercard Receptacle, Unguided, 14 Columns, 210 Circuits, Plated Through Hole Dimension 0.46mm, Lead Free	760601014
--	---------------------------

5 Pair Right-Angle Daughtercard Receptacle, Unguided, 14 Columns, 210 Circuits, Plated Through Hole Dimension 0.46mm, Lead Free

Impact 100 Ohm 5 Pair Right-Angle Daughtercard Receptacle, Unguided, 14 Columns, 210 Circuits, Plated	760601024
---	---------------------------

5 Pair Right-Angle Daughtercard Receptacle, Unguided, 14 Columns, 210 Circuits, Plated

Through Hole
Dimension 0.39mm,
Lead-Free
Impact 100 Ohm 760603014
5 Pair Right-Angle
Daughtercard
Receptacle, Left
Guided, 14 Columns,
210 Circuits, Plated
Through Hole
Dimension 0.46mm,
Lead Free
Impact 100 Ohm 760603024
5 Pair Right-Angle
Daughtercard
Receptacle, Left
Guided, 14 Columns,
210 Circuits, Plated
Through Hole
Dimension 0.39mm,
Lead Free
Impact 100 Ohm 760605014
5 Pair Right-Angle
Daughtercard
Receptacle, Right
Guided, 14 Columns,
210 Circuits, Plated
Through Hole
Dimension 0.46mm,
Lead Free
Impact 100 Ohm 760605024
5 Pair Right-Angle
Daughtercard
Receptacle, Right
Guided, 14 Columns,
210 Circuits, Plated
Through Hole
Dimension 0.39mm,
Lead Free

This document was generated on 02/27/2021

PLEASE CHECK WWW.MOLEX.COM FOR LATEST PART INFORMATION