

PLEASE CHECK WWW.MOLEX.COM FOR LATEST PART INFORMATION

Part Number: [0740621004](#)
Status: **Active**
Overview: [VHDM Backplane Connectors and Cable Assemblies](#)
Description: 2.00mm Pitch VHDM Single-Ended Board-to-Board Backplane Header, Vertical, 8 Rows, Guide Pin Signal Module, Shield End Version, 80 Circuits, 10 Columns, Pin Length 5.15mm

Documents:

[Drawing \(PDF\)](#) [Packaging Specification PK-74061-003-001 \(PDF\)](#)
[Product Specification PS-74031-999-001 \(PDF\)](#) [RoHS Certificate of Compliance \(PDF\)](#)

Agency Certification

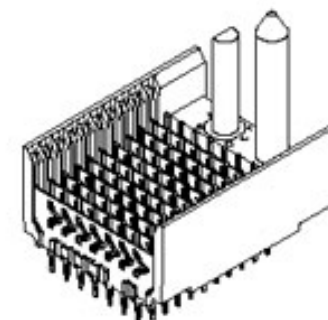
UL E29179

General

Product Family Backplane Connectors
 Series [74062](#)
 Application Backplane
 Application Tooling Documents TM-622010999-001
 Comments No Keying Position
 Component Type PCB Header
 Data Rate 3.125 Gbps
 Overview [VHDM Backplane Connectors and Cable Assemblies](#)
 Product Name VHDM
 Taxonomy Backplane Connectors
 UPC 800753253025

Physical

Circuits (Loaded) 80
 Circuits (maximum) 80
 Color - Resin Black
 Durability (mating cycles max) 200
 First Mate / Last Break No
 Flammability 94V-0
 Guide to Mating Part Yes
 Keying to Mating Part None
 Material - Metal Beryllium Copper, High Performance Alloy (HPA), Stainless Steel
 Material - Plating Mating Gold
 Material - Plating Termination Tin-Lead
 Material - Resin High Temperature Thermoplastic
 Net Weight 8.242/g
 Number of Columns 10
 Number of Pairs Open Pin Field
 Number of Rows 8
 Orientation Vertical
 PC Tail Length 2.50mm
 PCB Locator No
 PCB Retention None
 PCB Thickness - Recommended 1.80mm
 Packaging Type Tube
 Pitch - Mating Interface 2.00mm
 Pitch - Termination Interface 1.00mm
 Plating min - Mating 0.762µm
 Plating min - Termination 0.762µm
 Polarized to PCB Yes
 Surface Mount Compatible (SMC) Yes



Series image - Reference only

EU ELV

Not Relevant

EU RoHS

Compliant with Exemption 7(a)

REACH SVHC

Not Contained Per - D(2020)9139-DC (19 Jan 2021)

Halogen-Free

Status

Low-Halogen

For more information, please visit [Contact US](#)

China ROHS

50 Image

ELV

Not Relevant

RoHS Phthalates

Not Contained

Search Parts in this Series

[74062](#) Series

Mates With

[74040](#) VHDM Board-to-Board Daughtercard Receptacle

Application Tooling | FAQ

Tooling specifications and manuals are found by selecting the products below. Crimp Height Specifications are then contained in the Application Tooling Specification document.

Global

Description	Product #
Signal Pin Inserter	622015700
Repair Tool	
8-Row Pin and Shield Repair Tool	622015900
8-Row Shield Extraction Tool	622016100

Temperature Range - Operating -55° to +105°C
Termination Interface: Style Through Hole - Compliant Pin

Electrical

Current - Maximum per Contact 3.0A
Shield Type Ground Plane Shield
Shielded Yes
Voltage - Maximum 120V AC (RMS)/DC

Solder Process Data

Lead-free Process Capability N/A

Material Info

Reference - Drawing Numbers

Packaging Specification PK-74061-003-001
Product Specification PS-74031-999-001
Sales Drawing SD-74062-002-001

This document was generated on 10/10/2022

PLEASE CHECK WWW.MOLEX.COM FOR LATEST PART INFORMATION