

# Laird Carrier Board (for evaluation only)

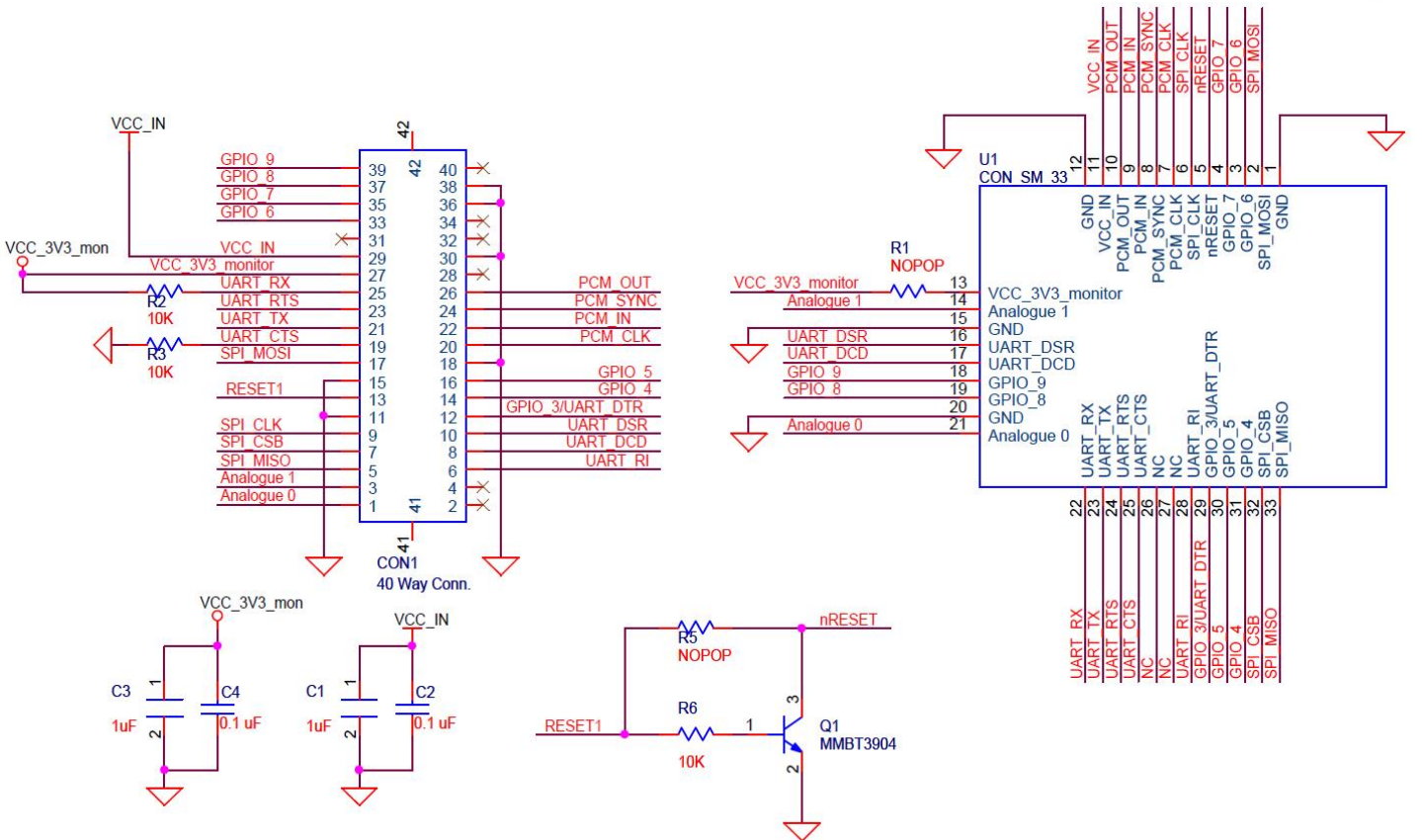
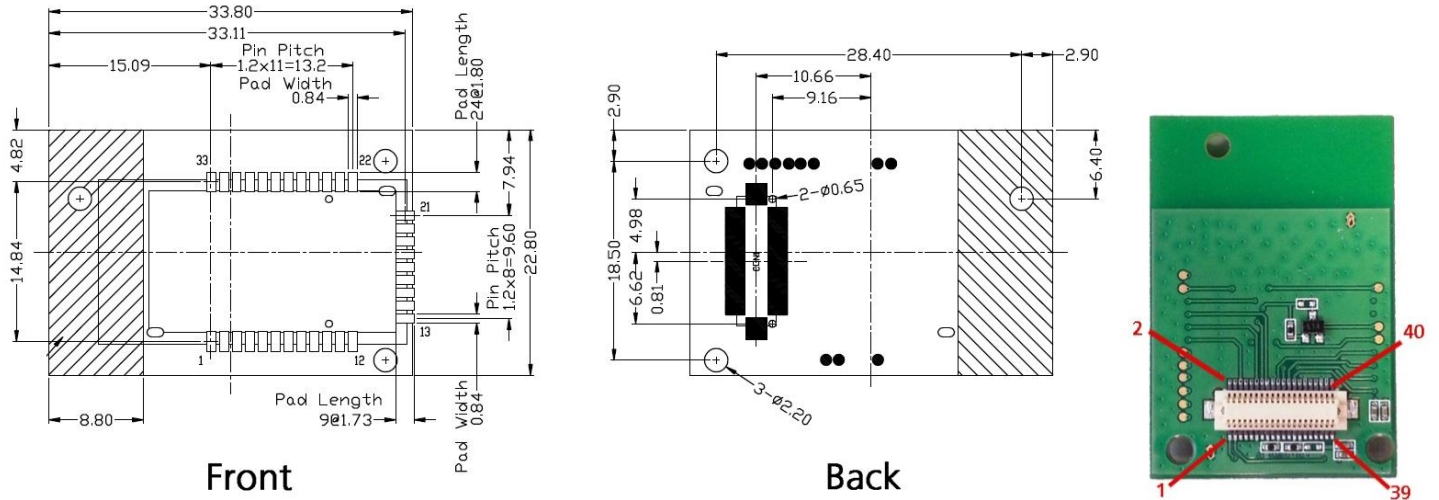
## Application Note

v1.0

The Laird BT730 and BT740 modules have been mounted onto a carrier board that allows each device to be easily connected to an existing development motherboard as part of the full development kit.

The images below display the PCB layout as well as the BT7xx and carrier board pinout diagrams. These can be used as a resource when mounting the device onto the development board.

**Note:** Carrier boards are for evaluation purposes only and are not intended to be used for an OEM’s mass production.



## BT7X0 Carrier Board

Application Note

### REVISION HISTORY

Revision	Date	Description	Approved By
1.0	10 July 2013	Initial Release	Jonathan Kaye