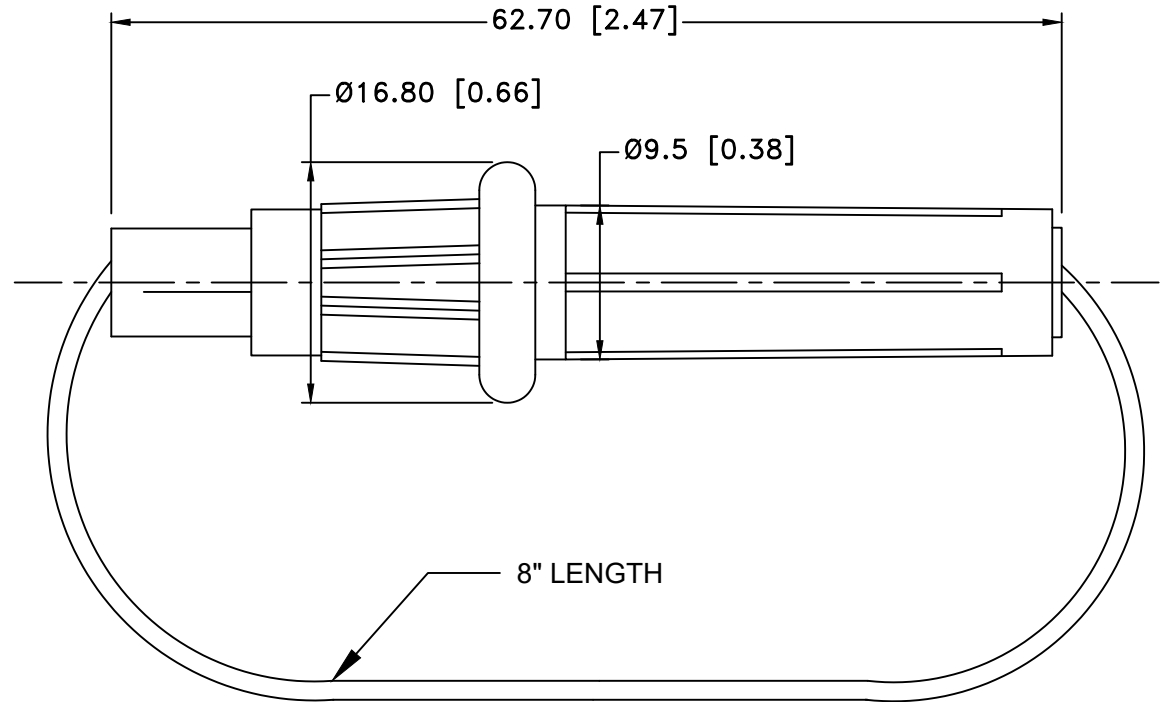
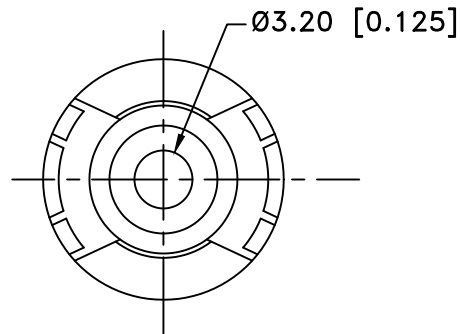



Date	SYM	REVISION RECORD	AUTH	DR.	CK.
12/01/17	A	UPDATED SPECIFICATION	T.B.	B.S.	
04/12/19	B	UPDATED TO "ROHS COMPLIANT"	T.B.	B.S.	
11/26/19	C	WAS RATED 30AMP. ADDED WIRE LENGTH	T.B.	B.S.	
11/17/21	D	WAS 14 AWG	T.B.	B.S.	



**NOTES:**

- MATERIAL:**  
HOUSING : NYLON 6, UL 94-V2, UL FILE NO. E36632
- LEAD WIRE IN LOOP: 8" OVERALL LENGTH RED WIRE, 16 AWG, UL-1015, 600V, 105°C, FLAME RATING VW-1, UL FILE NO. E77961, OR ENGINEERING APPROVED EQUIVALENT**
- RATED CURRENT: 20A**
- ACCEPTS AGC/JMC FUSES**
- INSULATION RESISTANCE AT 500V DC: 100MΩ MIN**
- CONTACT RESISTANCE: 5mΩ AT 1A DC**
- DIELECTRIC STRENGTH FOR 60 SECONDS: AC 1500V MIN ROHS COMPLIANT**

Tolerance (Except as noted)	 <b>Memory Protection Devices, Inc</b> 200 Broad Hollow Road, Farmingdale, New York 11735		
	decimal ±.5 (.020)	Scale	Drawn By B.S. Approved By T.B.
Fractional ± .8 (.030)	Title INLINE FUSE HOLDER		
Angular ± 3°	Date 11/26/19	Drawing Number BF309	