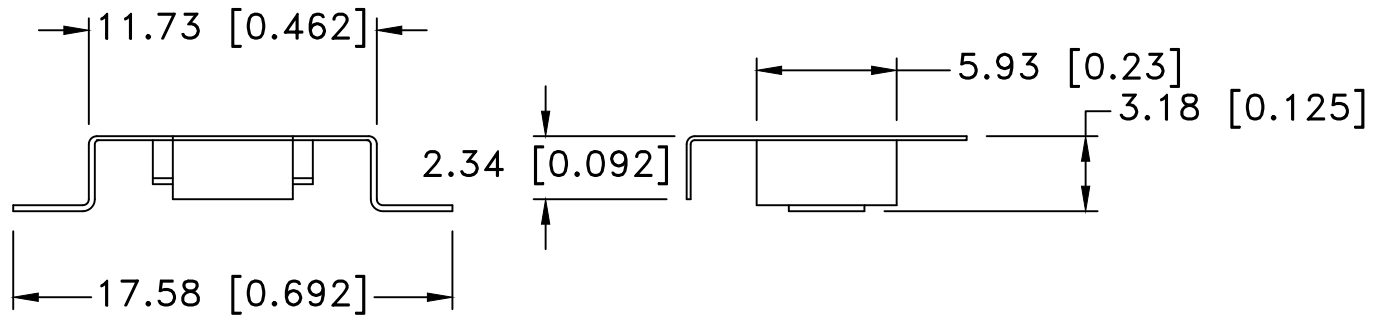
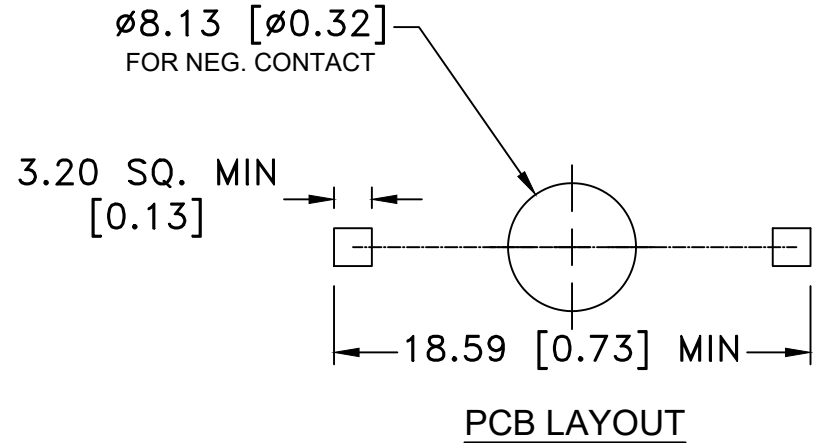
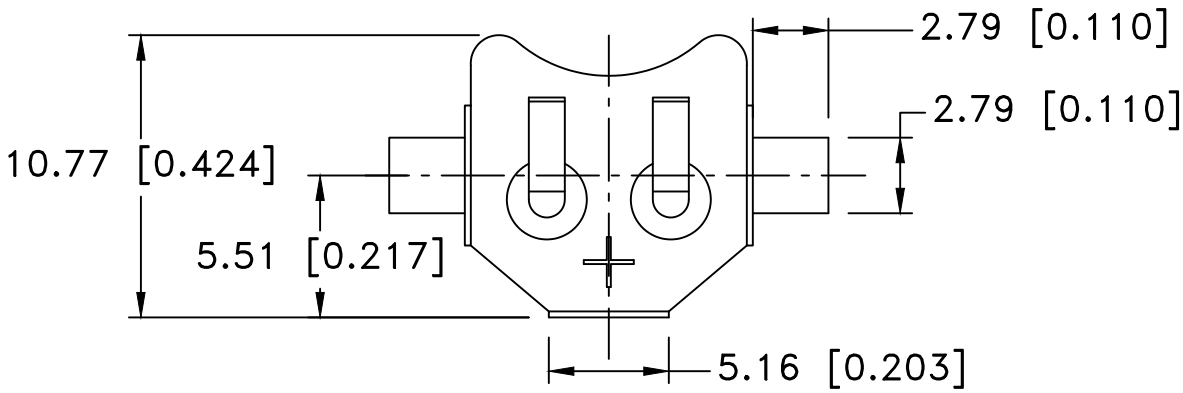



Date	SYM	REVISION RECORD	AUTH	DR.	CK.
3/07/14	D	ADDED BATTERY NUMBERS	T.B.	B.S.	
10/31/19	E	ADDED WEIGHT OF THE PART	T.B.	B.S.	



NOTES:

- MATERIAL:
0.25mm (0.010") PHOSPHOR BRONZE, NICKEL PLATED.
APPROXIMATE WEIGHT: 0.33g
ROHS COMPLIANT

Tolerance (Except as noted)	 Memory Protection Devices, Inc 200 Broad Hollow Road, Farmingdale, New York 11735		
decimal $\pm .5$ (.020)		Scale	Drawn By B.S.
Fractional $\pm .8$ (.030)	Title CR1025 COIN CELL RETAINER		
Angular $\pm 3^\circ$	Date 10/31/19	Drawing Number BK-870	
CELL SIZE 10mm		RETAINS BATTERY NUMBERS BR1025, CR1025, MS920E	