

2.40 mm TO 50 GHz

2.40 mm Cable Assemblies

RF047-A, RF085, RF086, RF23C



VSWR

RF047-A: 1.35 max.
RF086: 1.40 max.
RF085: 1.40 max.
RF23C: 1.40 max.

SERIES	END 1 CONNECTOR	END 2 CONNECTOR	OVERALL LENGTH
RF047-A (1.2 mm) .047" overshield DIA 29 AWG millimeter wave cable	-24SJ = 2.40 mm Straight Jack		-“XXXX” = Overall Length in millimeters
RF086 = (2.18 mm) .086" overshield DIA 23 AWG millimeter wave cable	-24SP = 2.40 mm Straight Plug		-0100 (100 mm) 3.94" minimum (RF047-A, RF085, RF086)
RF085 = (2.16 mm) .085" overshield DIA 24 AWG millimeter wave cable	ALSO AVAILABLE		-0152 (0152 mm) 5.984" minimum (RF23C)
RF23C = MWC-2350CU-01 millimeter wave cable with copper foil shield	1.35 mm, 1.85 mm, 2.92 mm, SMPM = RF047-A	1.85 mm, 2.92 mm, SMPM = RF086	
	2.92 mm = RF085	2.92 mm, SMPM = RF23C	

2.40 mm Cable Connectors

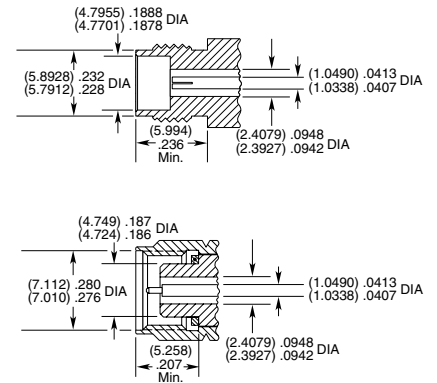
PRF24



CONNECTORS FOR INDUSTRY STANDARD CABLES	
PRF24-J-C-EP-085-SS	Harbour SS405, flexible alternative to RG 405
PRF24-J-C-EP-405-BS	RG 405, .085, semi-rigid
PRF24-P-C-EE-085-SD	Harbour SS405, flexible alternative to RG 405
PRF24-P-C-EP-120A-SS	Semflex HP120, low loss flexible
PRF24-J-C-EP-160-SS	Semflex HP160, low loss flexible
PRF24-P-C-EP-160-SS	Semflex HP160, low loss flexible
PRF24-J-C-EP-140B-SS	IW 1401, low loss flexible
PRF24-P-C-EP-140B-SS	IW 1401, low loss flexible
PRF24-J-C-EP-150B-SS	IW 1501, low loss flexible
PRF24-P-C-EP-150-SS	Dynawave DF150, low loss flexible
PRR24-J-C-EP-086-SS	.086 Temp-flex, low loss flexible
PRF24-P-C-EP-086-SS	.086 Temp-flex, low loss flexible

P-C = Cable Plug
 J-C = Cable Jack
 EE = Plating (50 μ" gold center contact & outer contact)
 EP = Plating (50 μ" gold center contact, passivated outer contact)
 SS = Straight, Solder Clamp
 SD = Straight, Direct Solder
 BS = Bulkhead, Solder Clamp

INTERFACE STANDARD



2.40 mm Board Connectors

240

Cable Mates:
 RF047-A, RF086, RF085, RF23C



240	GENDER	TYPE	PLATING	ORIENTATION	TERMINATION	OPTION	PACKAGING
	-J = Jack	-P = PCB Mount	-EP = 50 μ" (1.27 μm) Gold center contact, Passivated outer contact	-ST = Straight	-CM = Compression Mount Stripline -CMM = Compression Mount Microstrip	-1 = without Screws -2 = With Screws	Leave blank for tray packaging -K = Individually bagged
	<p>-CM SHOWN</p>		<p>-CMM SHOWN</p>		<p>-CM SHOWN</p>	<p>-CMM SHOWN</p>	