

FIG 1
ET60T-D04-3-08-A04-X-R1-S SHOWN

TABLE 2
(SEE NOTE 6)

SIGNAL POS (-3 ROWS)	"B"
*-02	2.54 [.100]
*-04	7.62 [.300]
*-06	12.70 [.500]
-08	17.78 [.700]
*-10	22.86 [.900]
*-12	27.94 [1.100]

(* = NOT TOOLED)

TABLE 1
(SEE NOTE 5)

POWER POS (LEFT)	"A"	
	DC POWER	AC POWER
*-01	N/A	N/A
-02	8.50 [.335]	10.50 [.413]
-03	14.00 [.551]	18.00 [.709]
-04	19.50 [.768]	25.50 [1.004]
-05	25.00 [.984]	33.00 [1.299]
-06	30.50 [1.201]	40.50 [1.594]
-07	36.00 [1.417]	N/A
-08	41.50 [1.634]	N/A
-09	47.00 [1.850]	N/A
-10	52.50 [2.067]	N/A

(* = NOT TOOLED)

TABLE 3
(SEE NOTE 5)

POWER POS (RIGHT)	"C"	
	DC POWER	AC POWER
*-01	N/A	N/A
-02	8.50 [.335]	10.50 [.413]
-03	14.00 [.551]	18.00 [.709]
-04	19.50 [.768]	25.50 [1.004]
-05	25.00 [.984]	33.00 [1.299]
-06	30.50 [1.201]	40.50 [1.594]
-07	36.00 [1.417]	N/A
-08	41.50 [1.634]	N/A
-09	47.00 [1.850]	N/A
-10	52.50 [2.067]	N/A

(* = NOT TOOLED)

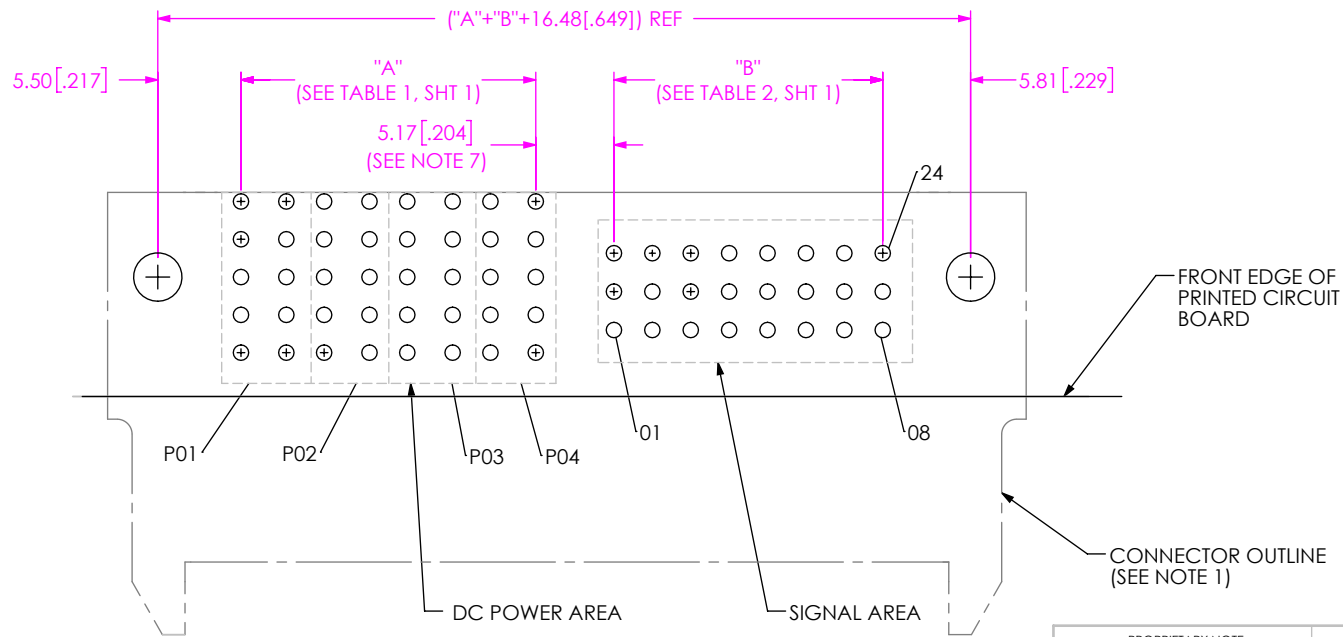
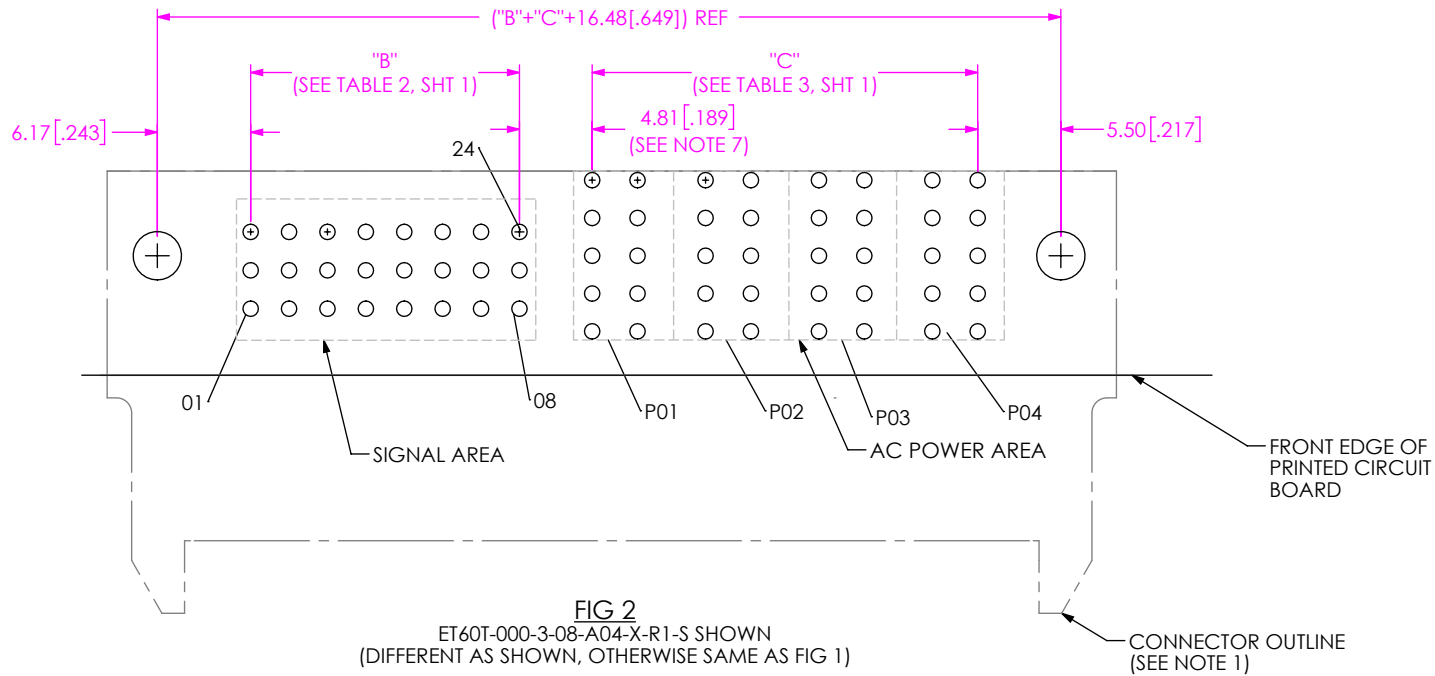
NOTES:

- CONNECTOR ENVELOPE DIMENSIONS. OTHER COMPONENTS PLACED ON PCB SHALL AVOID THIS ZONE.
- EACH POWER POSITION USES 10 PTH'S (2 ROWS OF 5) PER POSITION.
- FOR SIGNAL POSITIONS.
- SEE PRODUCT SPECIFICATION FOR CONNECTOR PRESS FIT INSTRUCTIONS AND REQUIRED FIXTURES.
- AC POWER: -02, -03, -04, -05, -06;
-DC POWER: *-01, -02, -03, -04, -05, -06, -07, -08, -09, -10
(* = NOT TOOLED)
- 3 ROWS: -00, *-02, *-04, *-06, -08, *-10, *-12;
-5 ROWS: -00, -01, -02, -03, -04, -05, -06, -07, -08.
(* = NOT TOOLED)
- DIMENSION WORKS WITH -AXX & -DXX ON BOTH SIDES.
- 5.50 IS FOR DC POWER, 7.50 IS FOR AC POWER.

PROPRIETARY NOTICE
THIS DOCUMENT CONTAINS CONFIDENTIAL AND PROPRIETARY INFORMATION AND ALL DESIGN, MANUFACTURING, REPRODUCTION, USE, PATENT RIGHTS AND SALES RIGHTS ARE EXPRESSLY RESERVED BY SAMTEC, INC. THIS DOCUMENT SHALL NOT BE DISCLOSED, IN WHOLE OR PART, TO ANY UNAUTHORIZED PERSON OR ENTITY NOR REPRODUCED, TRANSFERRED OR INCORPORATED IN ANY OTHER PROJECT IN ANY MANNER WITHOUT THE EXPRESS WRITTEN CONSENT OF SAMTEC, INC.



520 PARK EAST BLVD, NEW ALBANY, IN 47150
PHONE: 812-944-6733 FAX: 812-948-5047
e-Mail info@SAMTEC.com code 55322



PROPRIETARY NOTE
THIS DOCUMENT CONTAINS CONFIDENTIAL AND PROPRIETARY INFORMATION AND ALL DESIGN, MANUFACTURING, REPRODUCTION, USE, PATENT RIGHTS AND SALES RIGHTS ARE EXPRESSLY RESERVED BY SAMTEC, INC. THIS DOCUMENT SHALL NOT BE DISCLOSED, IN WHOLE OR PART, TO ANY UNAUTHORIZED PERSON OR ENTITY NOR REPRODUCED, TRANSFERRED OR INCORPORATED IN ANY OTHER PROJECT IN ANY MANNER WITHOUT THE EXPRESS WRITTEN CONSENT OF SAMTEC, INC.

samtec
520 PARK EAST BLVD, NEW ALBANY, IN 47150
PHONE: 812-944-6733 FAX: 812-948-5047
e-Mail info@SAMTEC.com code 55322

TABLE 4 (SEE NOTE 6)	
SIGNAL POS (-5 ROWS)	"D"
-01	N/A
-02	2.00 [.079]
-03	4.00 [.157]
-04	6.00 [.236]
-05	8.00 [.315]
-06	10.00 [.394]
-07	12.00 [.472]
-08	14.00 [.551]

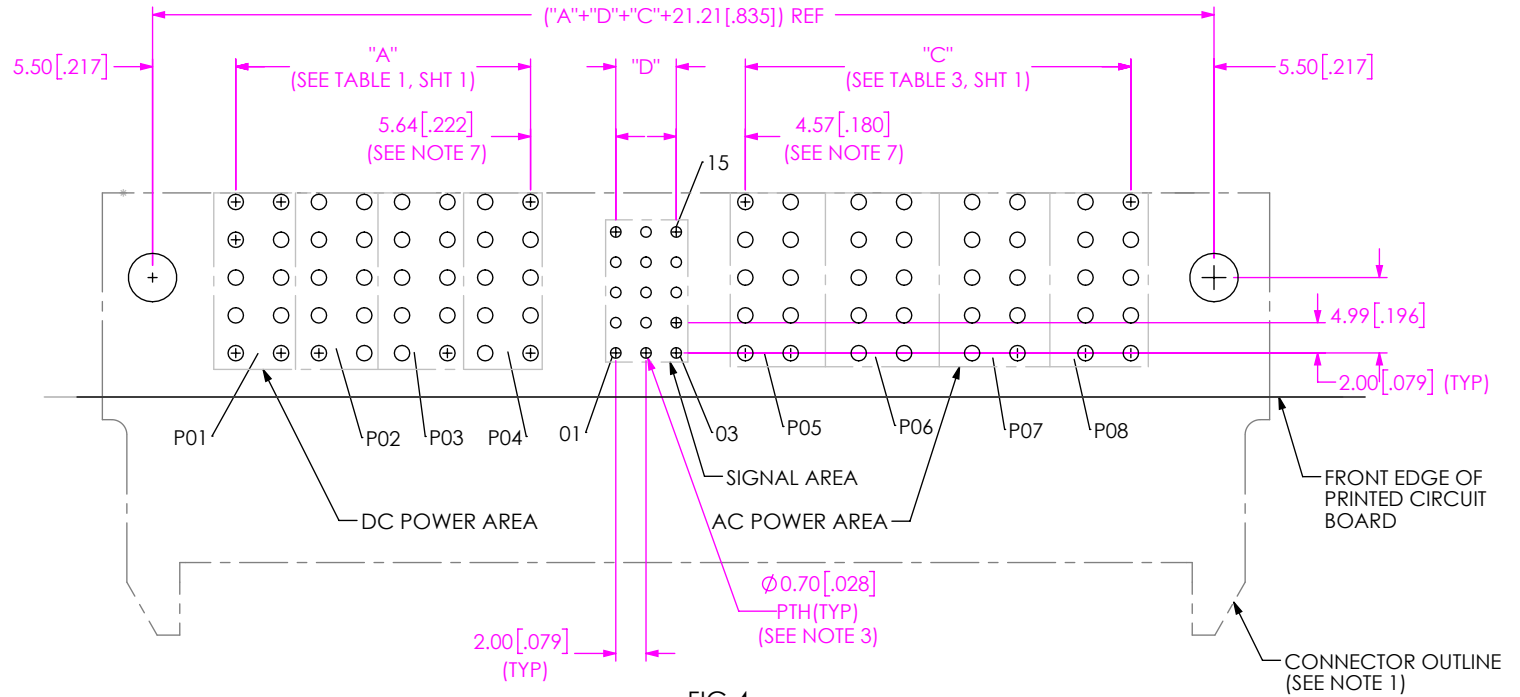


FIG 4
ET60T-D04-5-03-A04-X-RX-S SHOWN
(DIFFERENT AS SHOWN, OTHERWISE SAME AS FIG 1)

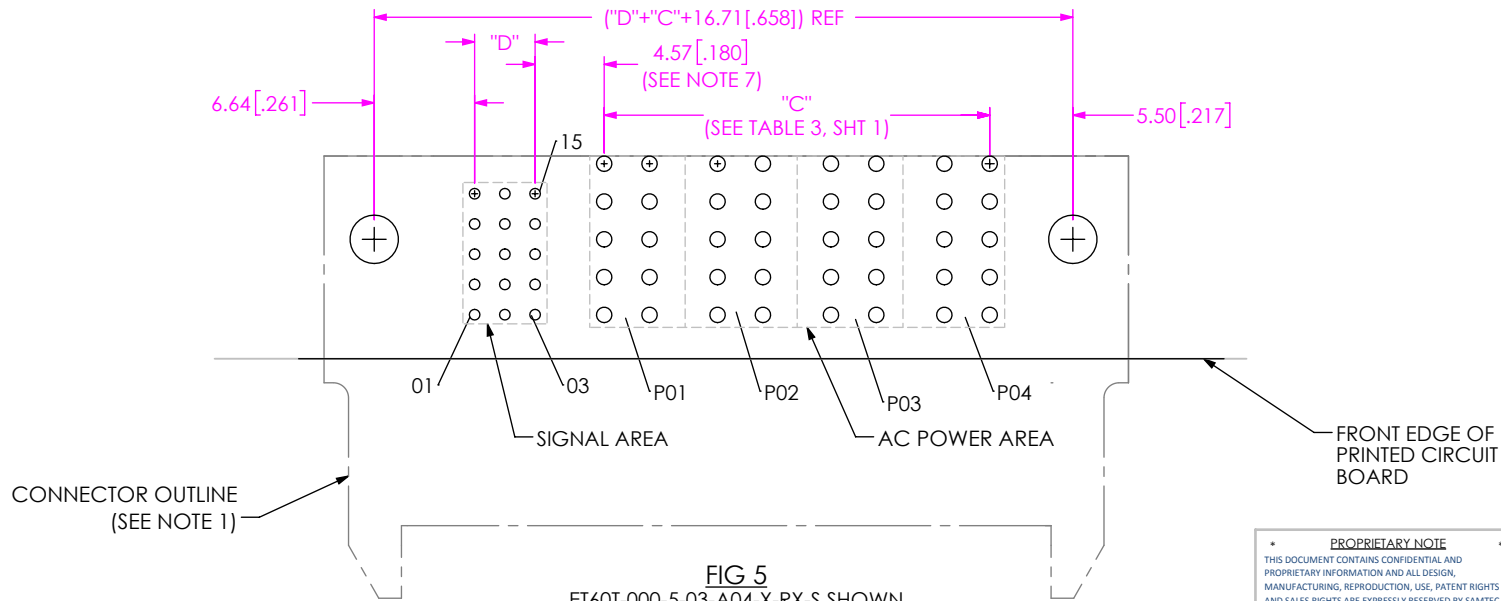
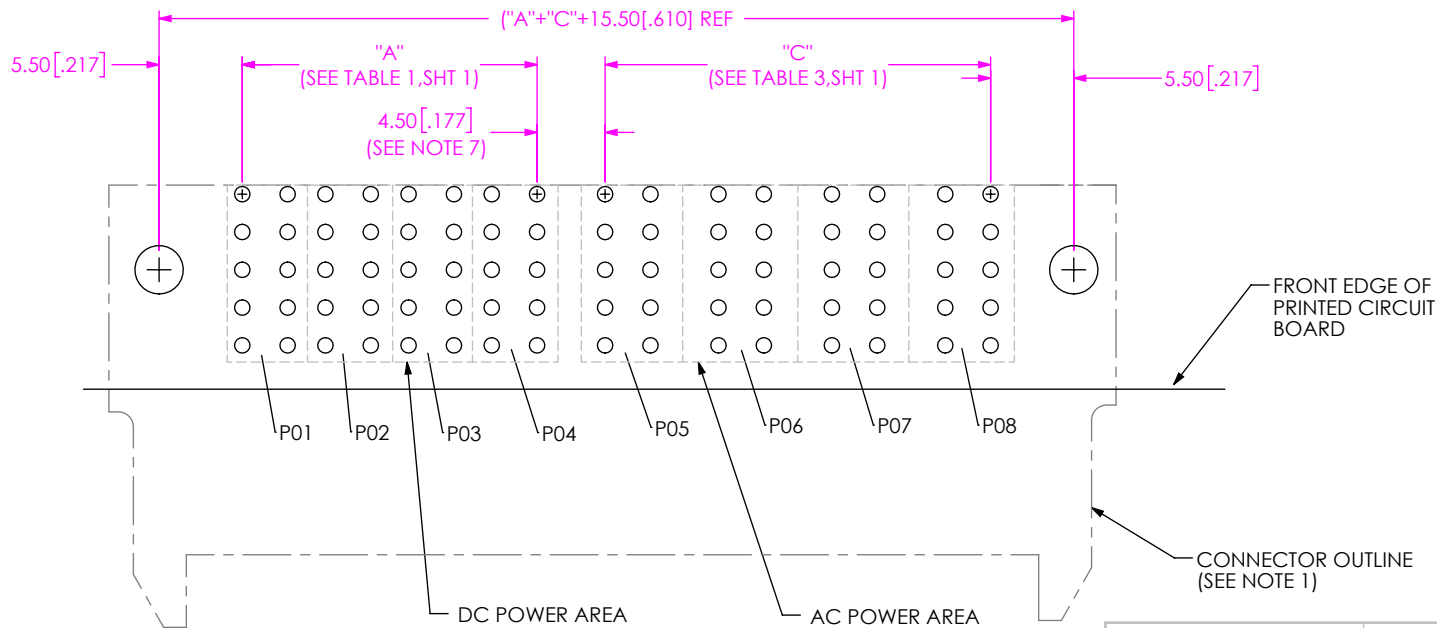
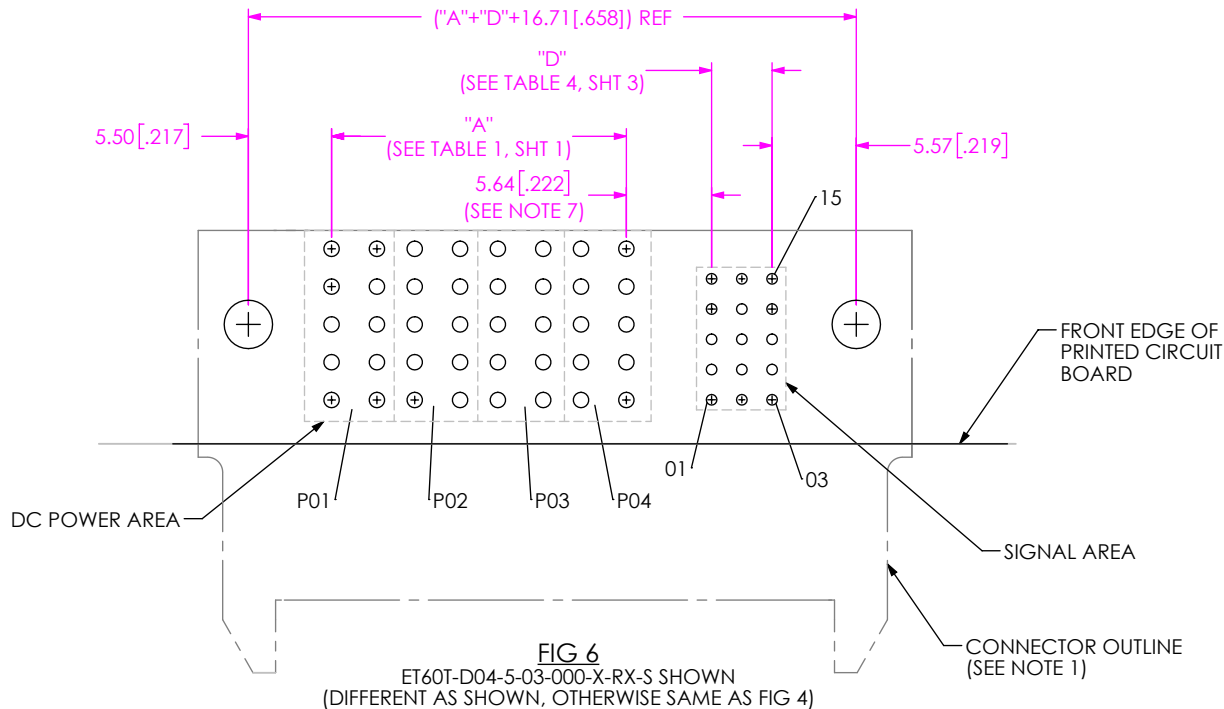


FIG 5
ET60T-000-5-03-A04-X-RX-S SHOWN
(DIFFERENT AS SHOWN, OTHERWISE SAME AS FIG 4)

PROPRIETARY NOTE
THIS DOCUMENT CONTAINS CONFIDENTIAL AND PROPRIETARY INFORMATION AND ALL DESIGN, MANUFACTURING, REPRODUCTION, USE, PATENT RIGHTS AND SALES RIGHTS ARE EXPRESSLY RESERVED BY SAMTEC, INC. THIS DOCUMENT SHALL NOT BE DISCLOSED, IN WHOLE OR PART, TO ANY UNAUTHORIZED PERSON OR ENTITY NOR REPRODUCED, TRANSFERRED OR INCORPORATED IN ANY OTHER PROJECT IN ANY MANNER WITHOUT THE EXPRESS WRITTEN CONSENT OF SAMTEC, INC.



520 PARK EAST BLVD, NEW ALBANY, IN 47150
PHONE: 812-944-6733 FAX: 812-948-5047
e-Mail info@SAMTEC.com code 55322



PROPRIETARY NOTE
THIS DOCUMENT CONTAINS CONFIDENTIAL AND PROPRIETARY INFORMATION AND ALL DESIGN, MANUFACTURING, REPRODUCTION, USE, PATENT RIGHTS AND SALES RIGHTS ARE EXPRESSLY RESERVED BY SAMTEC, INC. THIS DOCUMENT SHALL NOT BE DISCLOSED, IN WHOLE OR PART, TO ANY UNAUTHORIZED PERSON OR ENTITY NOR REPRODUCED, TRANSFERRED OR INCORPORATED IN ANY OTHER PROJECT IN ANY MANNER WITHOUT THE EXPRESS WRITTEN CONSENT OF SAMTEC, INC.



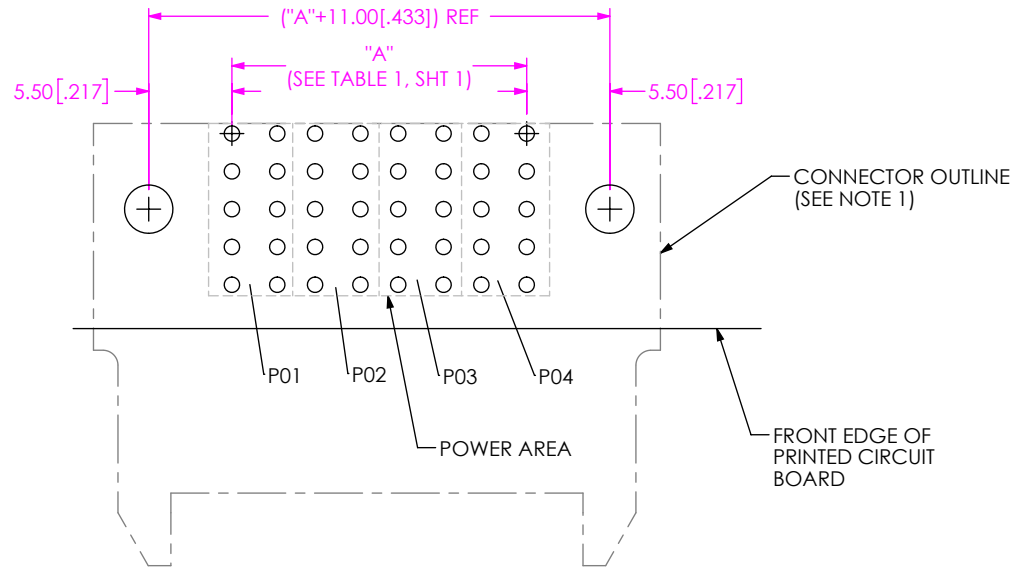


FIG 8
 ET60T-D04-0-00-000-X-RX-S SHOWN
 (DIFFERENT AS SHOWN, OTHERWISE SAME AS FIG 1)

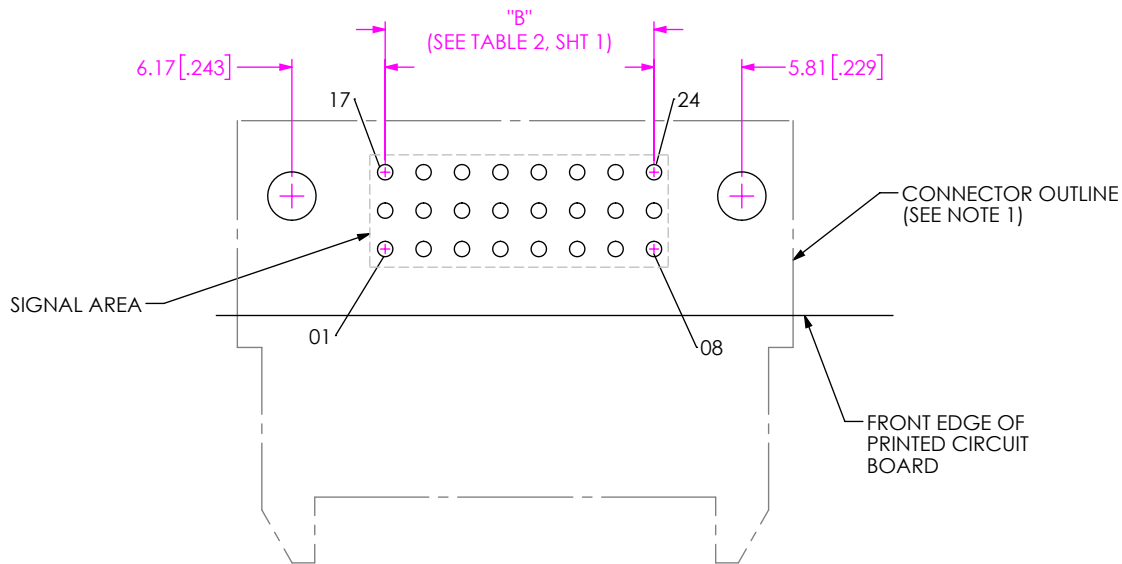


FIG 9
 ET60T-000-3-08-000-X-RX-S SHOWN
 (DIFFERENT AS SHOWN, OTHERWISE SAME AS FIG 1)

PROPRIETARY NOTE
 THIS DOCUMENT CONTAINS CONFIDENTIAL AND PROPRIETARY INFORMATION AND ALL DESIGN, MANUFACTURING, REPRODUCTION, USE, PATENT RIGHTS AND SALES RIGHTS ARE EXPRESSLY RESERVED BY SAMTEC, INC. THIS DOCUMENT SHALL NOT BE DISCLOSED, IN WHOLE OR PART, TO ANY UNAUTHORIZED PERSON OR ENTITY NOR REPRODUCED, TRANSFERRED OR INCORPORATED IN ANY OTHER PROJECT IN ANY MANNER WITHOUT THE EXPRESS WRITTEN CONSENT OF SAMTEC, INC.



520 PARK EAST BLVD, NEW ALBANY, IN 47150
 PHONE: 812-944-6733 FAX: 812-948-5047
 e-Mail info@SAMTEC.com code 55322

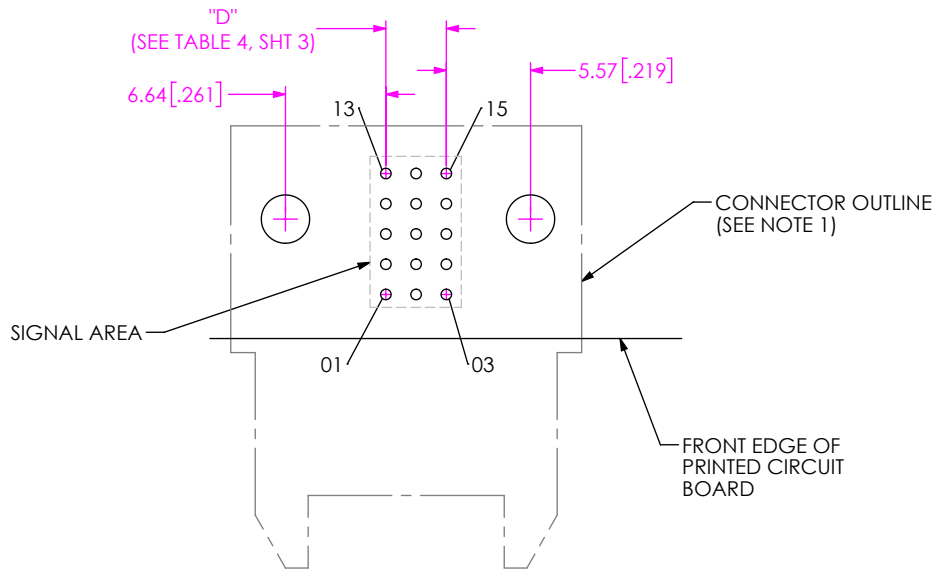


FIG 10
ET60T-000-5-03-000-X-RX-S SHOWN
(DIFFERENT AS SHOWN, OTHERWISE SAME AS FIG 4)

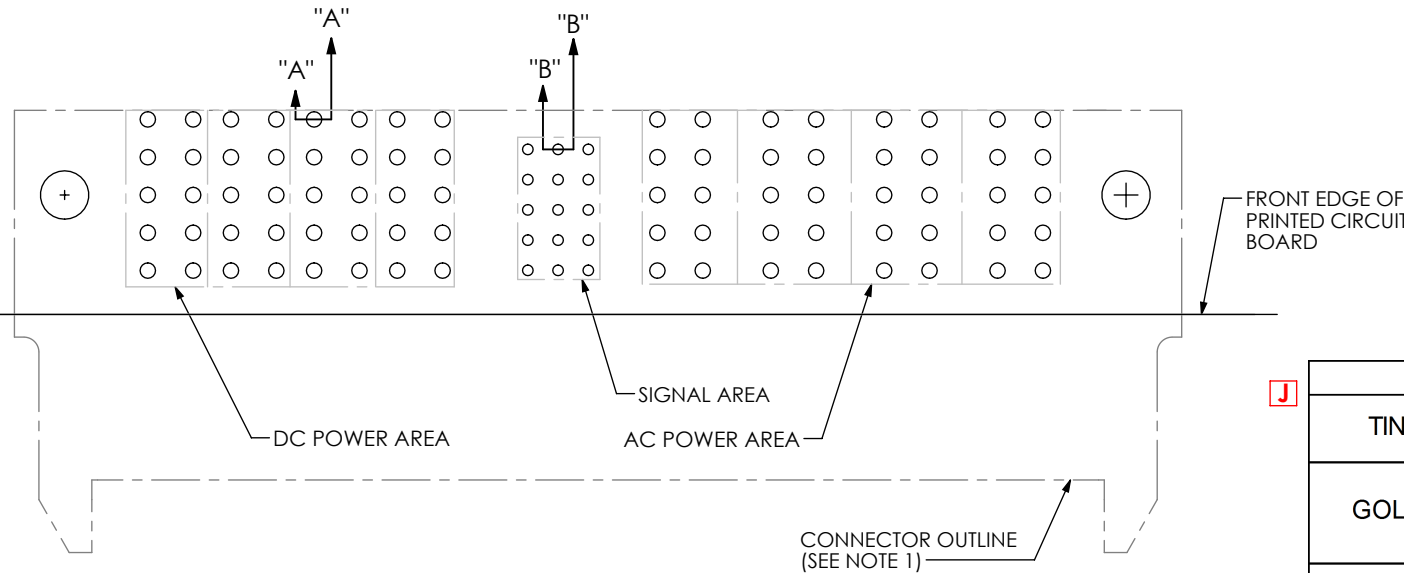
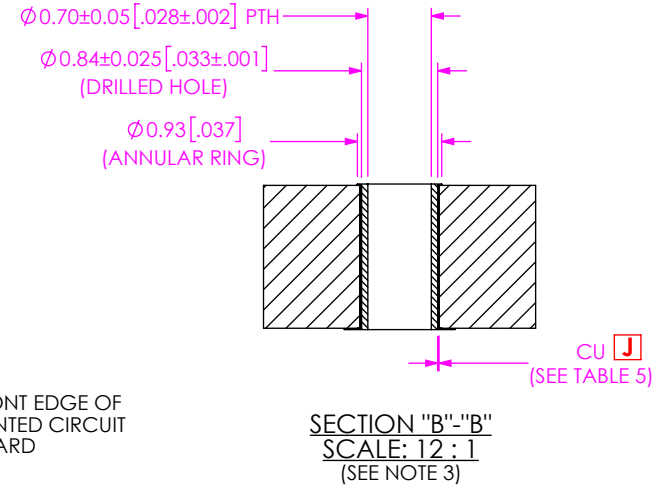
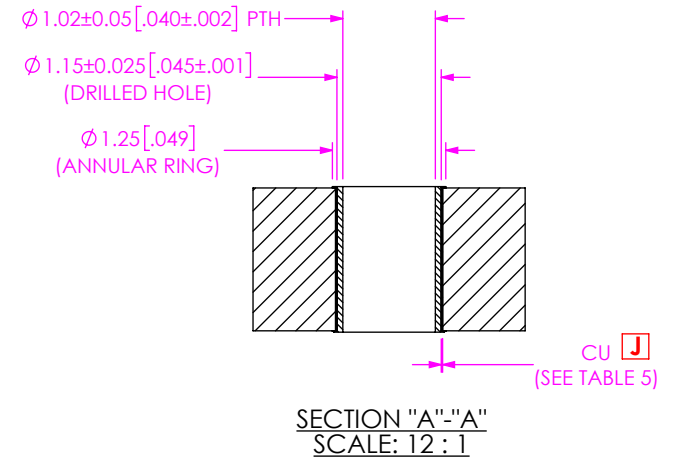


FIG 11
ET60T-D04-5-03-A04-X-RP-S SHOWN
(DIFFERENT AS SHOWN, OTHERWISE SAME AS FIG 4)

TIN	Cu	0.03[.001] MIN
	Sn	0.010[.0004] MIN
GOLD	Cu	0.03[.001] MIN
	Ni	0.0030[.00012]
SILVER	Au	0.00076[.000003] MIN
	Ag	0.0010[.00004] MIN

PROPRIETARY NOTE
THIS DOCUMENT CONTAINS CONFIDENTIAL AND PROPRIETARY INFORMATION AND ALL DESIGN, MANUFACTURING, REPRODUCTION, USE, PATENT RIGHTS AND SALES RIGHTS ARE EXPRESSLY RESERVED BY SAMTEC, INC. THIS DOCUMENT SHALL NOT BE DISCLOSED, IN WHOLE OR PART, TO ANY UNAUTHORIZED PERSON OR ENTITY NOR REPRODUCED, TRANSFERRED OR INCORPORATED IN ANY OTHER PROJECT IN ANY MANNER WITHOUT THE EXPRESS WRITTEN CONSENT OF SAMTEC, INC.



520 PARK EAST BLVD, NEW ALBANY, IN 47150
PHONE: 812-944-6733 FAX: 812-948-5047
e-Mail info@SAMTEC.com code 55322