

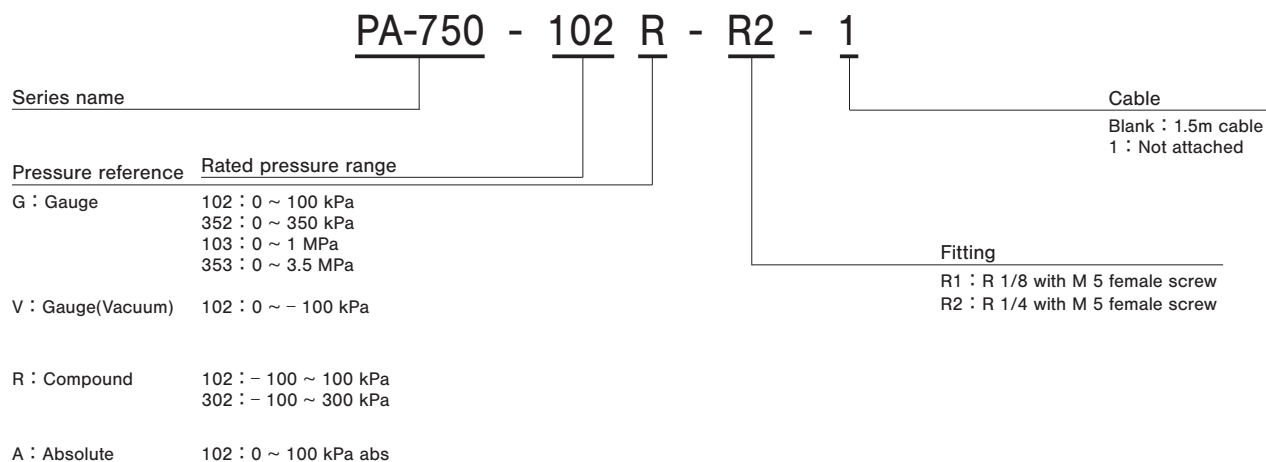
INTERNAL STRUCTURE
PA-750 (R 1/4)

Part name		Material
①	Fitting	SUS 304
②	Housing	PPS
③	Stainless steel diaphragm	SUS 316L

FEATURES

- High corrosion resistance and drip-proof construction
Pressure port attachment made of SUS 316L
Proven IP65 grade gauge body (IP65 in accordance with IEC)
- Cable connector connection
- Built-in temperature compensation function (0 ~ 50°C)
- Absolute pressure type and compound pressure type which can control negative to positive pressure with only a single pressure gauge are all in line
- Voltage output mode

MODEL NUMBER DESIGNATION



※ Please refer to the LIST OF MODEL NUMBERS when placing orders.

PA-750

PRESSURE TRANSDUCERS WITH AMP.

LIST OF MODEL NUMBERS

Fitting	Pressure reference		Gauge						Absolute
	Cable	Rated pressure range	0 ~ 100	0 ~ 350	0 ~ 1000	0 ~ 3500	0 ~ - 100	- 100 ~ 100	- 100 ~ 300
R1	Attached	PA-750- ⑤ 102G-R1	PA-750- ⑤ 352G-R1	PA-750- 103G-R1	PA-750- 353G-R1	PA-750- ⑤ 102V-R1	PA-750- 102R-R1	PA-750- 302R-R1	PA-750- 102A-R1
	Not attached	PA-750- ⑤ 102G-R1-1	PA-750- ⑤ 352G-R1-1	PA-750- 103G-R1-1	PA-750- 353G-R1-1	PA-750- ⑤ 102V-R1-1	PA-750- 102R-R1-1	PA-750- 302R-R1-1	PA-750- 102A-R1-1
R2	Attached	PA-750- ⑤ 102G-R2	PA-750- ⑤ 352G-R2	PA-750- 103G-R2	PA-750- 353G-R2	PA-750- ⑤ 102V-R2	PA-750- 102R-R2	PA-750- 302R-R2	PA-750- 102A-R2
	Not attached	PA-750- ⑤ 102G-R2-1	PA-750- ⑤ 352G-R2-1	PA-750- 103G-R2-1	PA-750- 353G-R2-1	PA-750- ⑤ 102V-R2-1	PA-750- 102R-R2-1	PA-750- 302R-R2-1	PA-750- 102A-R2-1

※ Verify the above model numbers when placing orders.

⑤ are manufactured upon receipt of order basis.

STANDARD SPECIFICATIONS

● Unless otherwise specified, the specs are defined at an ambient temperature of 25±5 °C and excitation voltage of 12 V DC.

Item	Model number	PA-750								
		102G	352G	103G	353G	102V	102R	302R	102A	
General specifications	Pressure reference	Gauge								Absolute
	Rated pressure range	kPa	100	350	1000	3500	- 100	- 100 ~ 100	- 100 ~ 300	100 (abs)
	Maximum pressure	kPa	200	700	2000	5000	200	200	600	200 (abs)
	Break-down pressure	kPa	300	1050	3000	7000	300	300	900	300 (abs)
	Operating temp. range	°C	- 20 ~ 80							
	Compensated temp. range	°C	0 ~ 50							
	Operating humidity	%RH	35 ~ 85 (No condensation)							
	Storage temp.	°C	- 20 ~ 80 (Atmospheric pressure, humidity 65 %RH maximum)							
	Pressure medium		Corrosive gases/liquids compatible with SUS316L and SUS304							
	Insulation resistance	MΩ minimum	100 (500 V DC)							
	Dielectric strength		500 V AC, 60 s (Leakage current 1 mA maximum)							
	Sealed liquid		Silicone oil							
	Pressure port		R 1/8, R 1/4							
	Net weight	g	R2 : Approx. 50							
Drip-proof structure		IP65								

PA-750

PRESSURE TRANSDUCERS WITH AMP.

Item		Model number	PA-750							
			102G	352G	103G	353G	102V	102R	302R	102A
Power	Supply voltage ※	V DC	10.8 ~ 30							
	Consumption current	maximum	10 mA							
Analog output	Output voltage	V	1 ~ 5							
	Zero voltage	V	1 ± 0.04				3 ± 0.04	2 ± 0.04	1 ± 0.04	
	Span voltage	V	4 ± 0.04							
	Output current	mA maximum	1 (Load resistance 5 kΩ minimum)							
	Linearity/Hysteresis	%F.S.	± 0.3							
	Thermal error	ZERO	%F.S./°C	± 0.05						
		SPAN	%F.S./°C	± 0.05						
	Response	ms	Approx. 2							
	resolving power		Approx. 0.004V (Approx. 0.1%F.S.)							
	Gravitational effect (From horizontal position to vertical position)	%F.S.	± 0.3	± 0.1	± 0.05		± 0.3	± 0.1	± 0.3	

※ The type of drive voltage of 5V and output voltage of 0.5 to 4.5V (ratiometric output) are also available.

ENVIRONMENTAL CHARACTERISTICS

Test item	Test conditions (At 25 ± 5 °C)	Permissible change
Vibration	10 ~ 500 Hz, 1.5 mm maximum/98.1 m/s ² , 3 directions for 2 hours each	Analog output (Zero voltage, Span voltage) : ± 1 %F.S. maximum each
Shock	490 m/s ² 3 directions for 3 times each	
Pressure cycling	0 ~ Rated pressure/Rated pressure range 10 ⁶ cycles	
Moisture resistance	40 °C, 90 ~ 95 %RH, 240 hrs.	

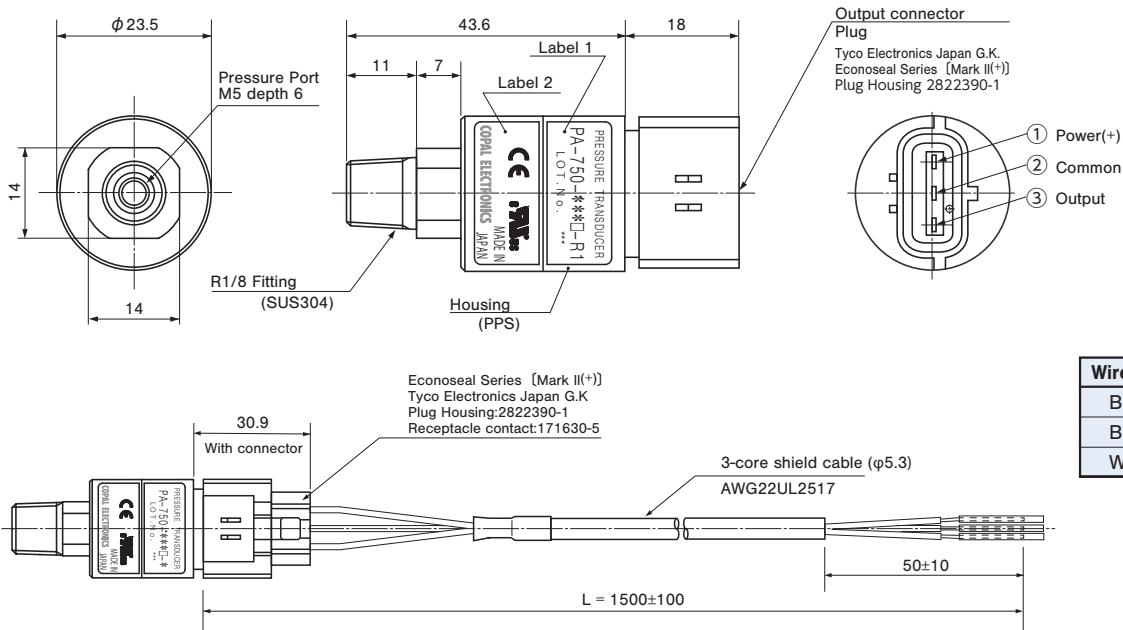
PA-750

PRESSURE TRANSDUCERS WITH AMP.

OUTLINE DIMENSIONS

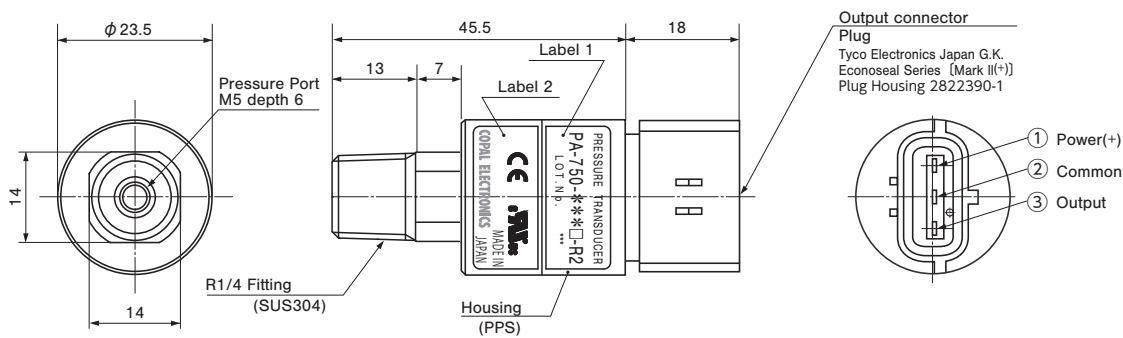
Unless otherwise specified, tolerance : ± 0.5 (Unit: mm)

Configurations of joint R1 (R1/8) type

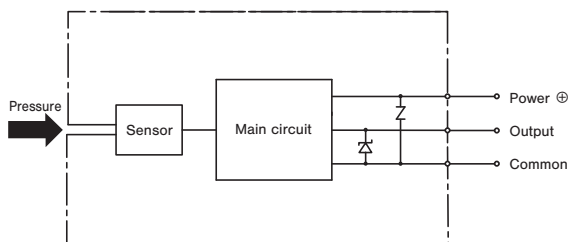


Wire color	Connection
Brown	Power ⊕
Blue	Common
White	Output

Configurations of joint R2 (R1/4) type



INTERNAL ELECTRICAL SCHEMATICS



PA-750

PRESSURE TRANSDUCERS WITH AMP.

CUSTOMIZATION

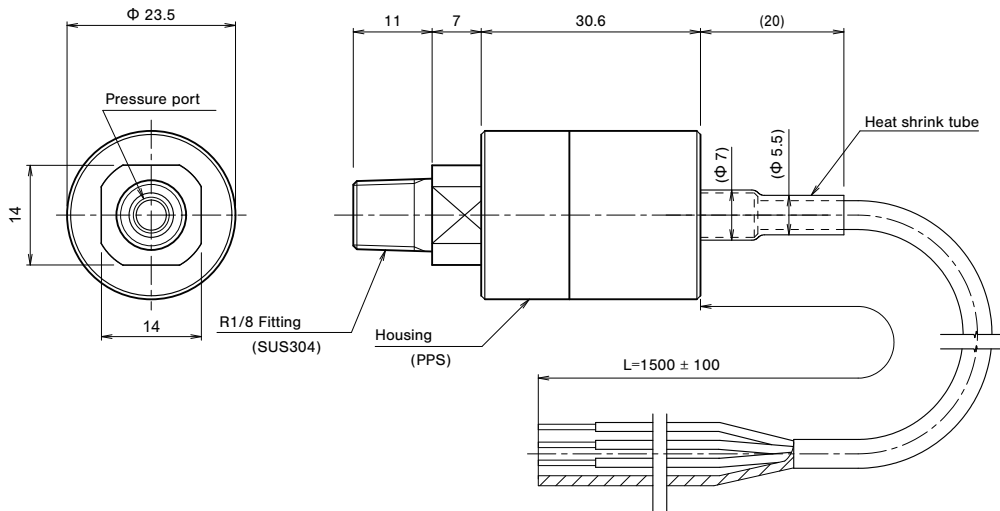
We also offer customized solutions. Please contact your local sales office for details.

Example of customizations
Available with cable assembly (standard length:1.5m)
Customized pressure range 402A(0~400kPa abs)*for sterilizer use
5V operation
Customized joint (7/16-20UNF Male/Female screw etc.)

AVAILABLE WITH CABLE ASSEMBLY : REFERENCE DRAWING

Unless otherwise specified, tolerance : ± 0.5 (Unit: mm)

Configurations of joint R1 (R1/8) type



Configurations of joint R2 (R1/4) type

