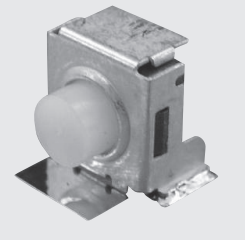


# CF-CA

## Right Angle Tactile Switches

Washable



RoHS Compliant

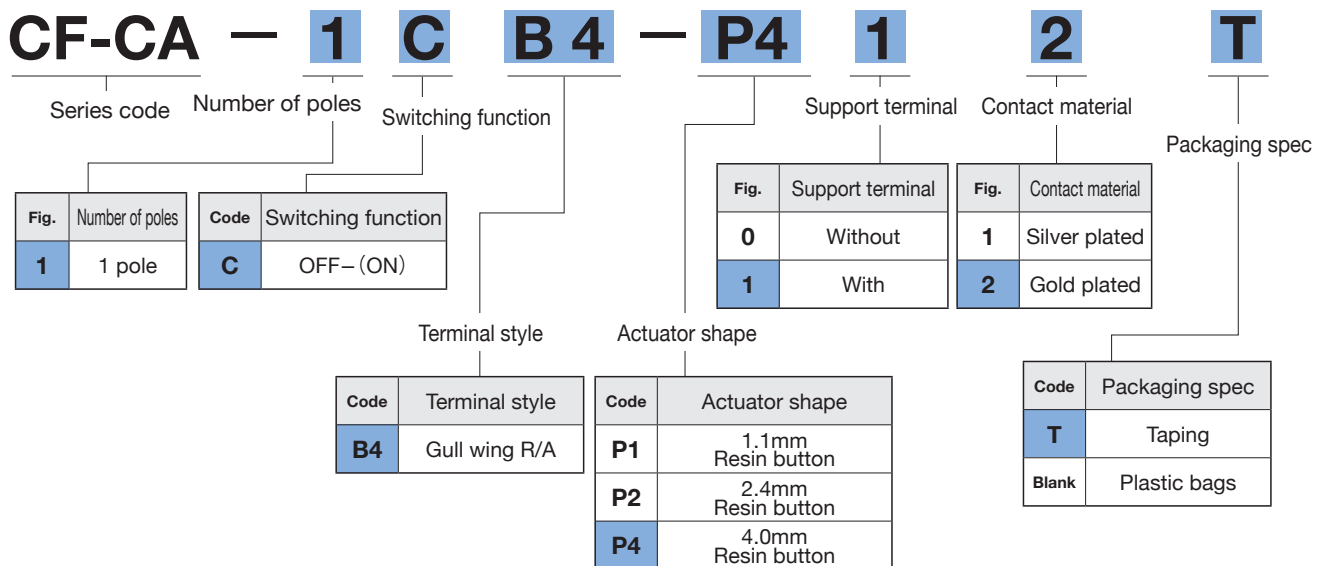
### Features

1. Right Angle Tactile Switch
2. Rich in Variation (Actuator Length, With/Without Support Terminal)
3. Silver-Plated / Gold-Plated Contacts
4. Resin Actuator
5. Washable

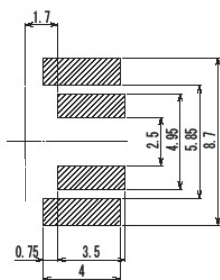
### Specifications

Rating	Max.	1VA max. (32VDC max. 50mA max.)	
	Min.	(Silver)	5VDC 1mA
		(Gold)	5VDC 10 $\mu$ A
Initial contact resistance		100m $\Omega$ max.	
Dielectric strength		250VAC (50~60Hz) 1 minute	
Initial Insulation resistance		100M $\Omega$ min. (100VDC)	
Stroke		0.25mm	
Operating force		3 $\pm$ 1.5N {305 $\pm$ 153g}	
Electrical life		max. Rating 100,000 cycles.	
Operating temperature range		-40~+90°C	
Storage temperature range		-40~+90°C	

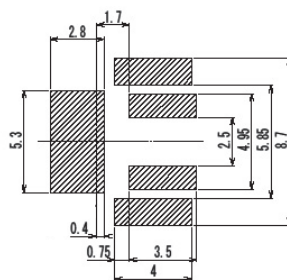
### Part Numbering



### PC Hole Layouts



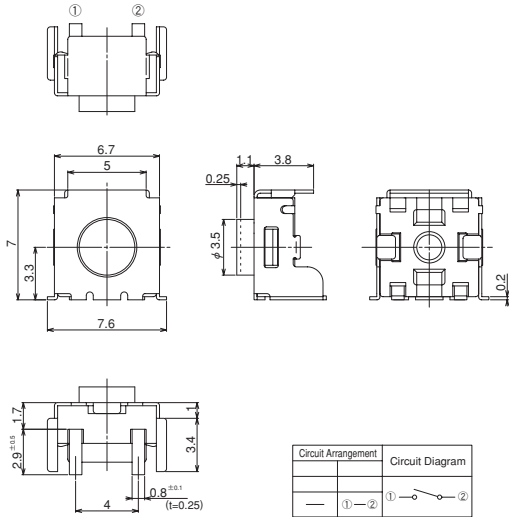
Without support terminal



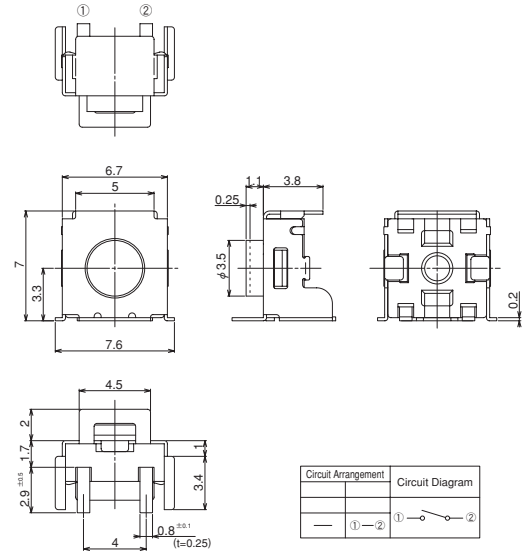
With support terminal

## Outline dimensions

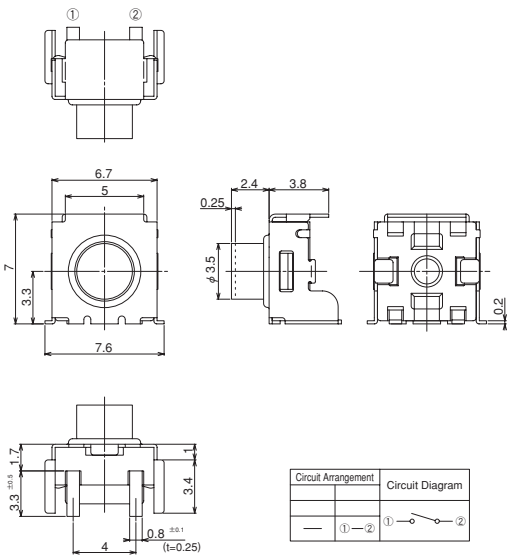
### 1.1 mm (Without Support Terminal)



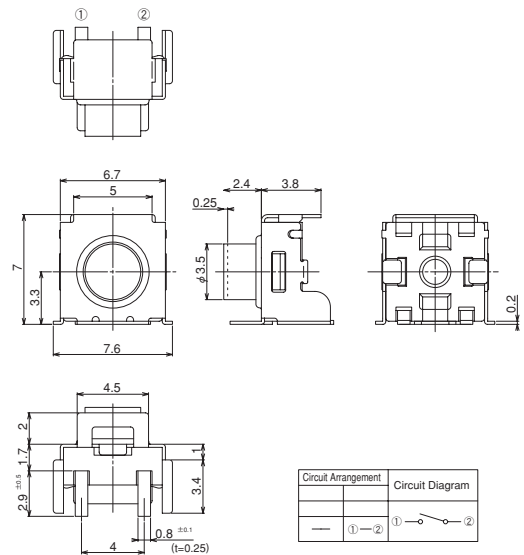
### 1.1 mm (With Support Terminal)



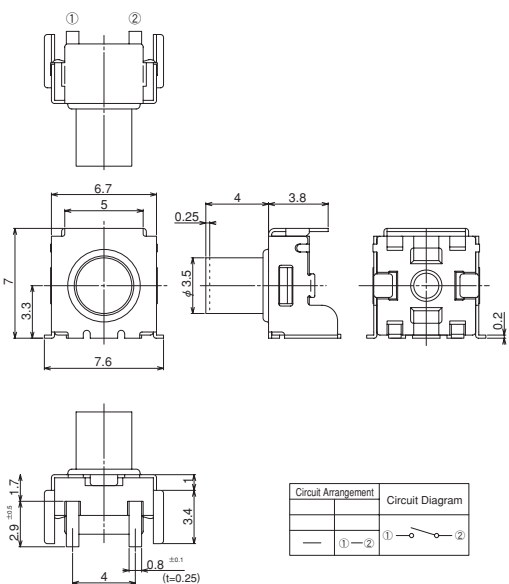
### 2.4mm (Without Support Terminal)



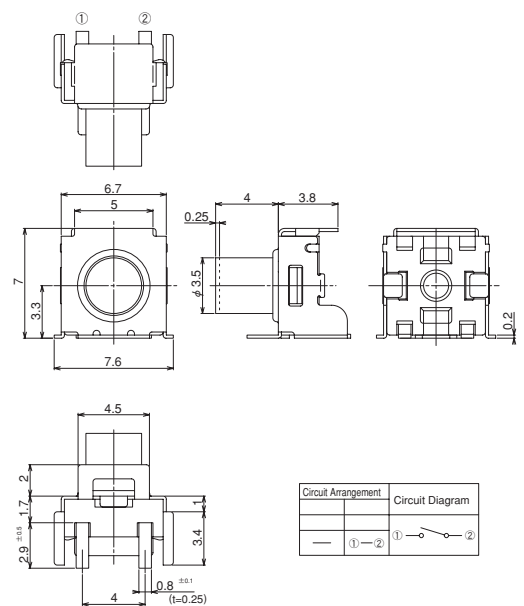
### 2.4mm (With Support Terminal)



### 4.0mm (Without Support Terminal)



### 4.0mm (With Support Terminal)

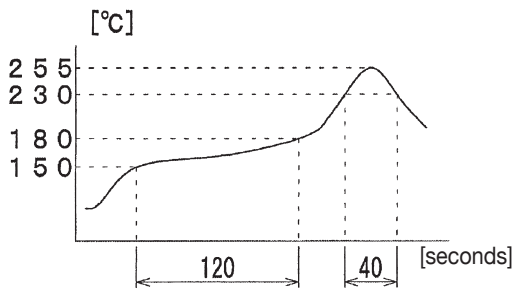


## List of part numbers

Number of poles	Switching function	Contact material	Form of Packaging	Actuator shape		Terminal style		Pieces in package
				Material	Hight	R/A Without support terminal	R/A With support terminal	
1 pole	OFF—(ON)	Silver plated	Taping	Resin	1.1mm	CF-CA-1CB4-P101T	CF-CA-1CB4-P111T	500pcs./reel
					2.4mm	CF-CA-1CB4-P201T	CF-CA-1CB4-P211T	500pcs./reel
					4.0mm	CF-CA-1CB4-P401T	CF-CA-1CB4-P411T	500pcs./reel
			Plastic bags		1.1mm	CF-CA-1CB4-P101	CF-CA-1CB4-P111	20pcs./pack
					2.4mm	CF-CA-1CB4-P201	CF-CA-1CB4-P211	20pcs./pack
					4.0mm	CF-CA-1CB4-P401	CF-CA-1CB4-P411	20pcs./pack
		Gold plated	Taping		1.1mm	CF-CA-1CB4-P102T	CF-CA-1CB4-P112T	500pcs./reel
					2.4mm	CF-CA-1CB4-P202T	CF-CA-1CB4-P212T	500pcs./reel
					4.0mm	CF-CA-1CB4-P402T	CF-CA-1CB4-P412T	500pcs./reel
			Plastic bags		1.1mm	CF-CA-1CB4-P102	CF-CA-1CB4-P112	20pcs./pack
					2.4mm	CF-CA-1CB4-P202	CF-CA-1CB4-P212	20pcs./pack
					4.0mm	CF-CA-1CB4-P402	CF-CA-1CB4-P412	20pcs./pack

## Soldering Specifications

### (1) Reflow Soldering



Apply reflow soldering up to 2 times max.

### (2) Manual Soldering

Device : Soldering iron

350°C ±10°C, Max.; 3 seconds, Max.

## Flux Cleaning

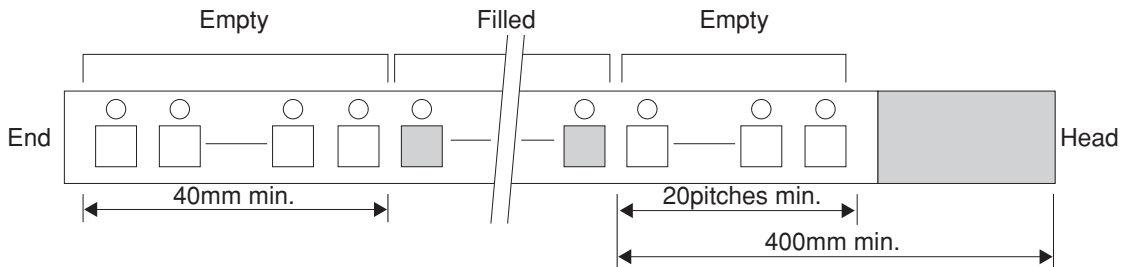
- (1) For the solvent, use water or alcohol. In addition, pay careful attention to use the solvent.
- (2) The cleaning method is limited to immersion cleaning only. The cleaning time is 2 minutes, max, but be sure to minimize the time as much as possible.
- (3) To clean the switch after soldering, wait until the switch temperature has cooled down to room temperature (30°C or below).
- (4) The product must be dried sufficiently after cleaning. Improper drying may result in fluctuation in torque or electrical damage.

## ■ Packaging Specification

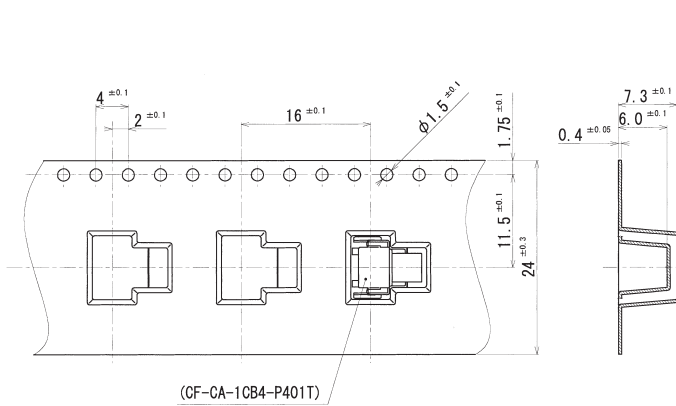
### (1) Taping

Packaging quantity is 500 pcs. per reel.  
 Each reel is packed in a box.  
 The maximum number of consecutive missing pieces shall be two. The following illustration shows the leader length, empty portion and the product indication method.

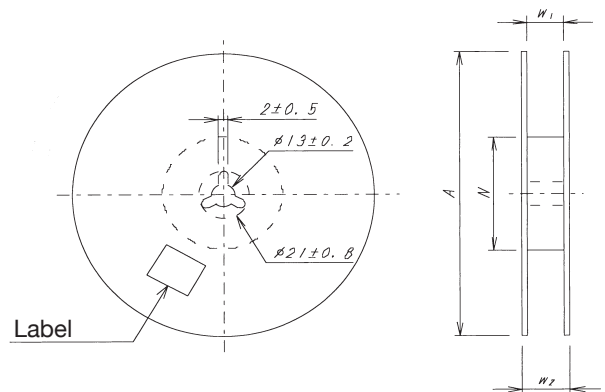
Fig.1 Embossed tape dimensions



### <Tape dimensions>



### <Reel dimensions>



### (2) Bulk

Packaging quantity is 20pcs per bag.  
 Please order in increments of 20pcs.

Unit (mm)

A	$W_1$	$W_1$	N
$\phi 330 \pm 2$	$25.4 \pm 1$	$29.4 \pm 1$	$\phi 80 \pm 1$