

# CF-LA

## High In-Rush Rocker Switches

Simple Dustproof

UL

C-US UL

ENEC

RoHS Compliant



### Features

1. High in-rush rocker switch
2. Rush Solder Terminals
3. Five types of terminal (Solder, Tab, PC Straight, R/A and L/A)
4. Simple dustproof structure (IP40 rating)
5. C-US UL, UL (TV-8) and ENEC approved products.

### Specifications

Rating	Max.	16A125VAC or 16A250VAC (Resistive load)
	Min.	5VAC / DC 10mA
Initial contact resistance	20mΩ max.	
Initial Dielectric strength	1500VAC 1minute	
Initial insulation resistance	100MΩ min.	
Operating force	1~8N	
Electrical life	20,000 cycles	
Operating temperature range	-25~+85°C	
Storage temperature range	-40~+85°C	

### Approvals

C-US UL、UL : E43275  
ENEC : 1312466

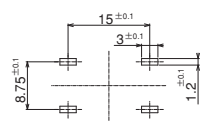
### Part Numbering

**CF-LA** — **2** **K** **Z2** — **1** **C**

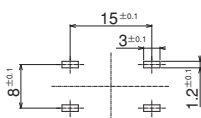
Series code    Number of poles    Switching function    Terminal style    Roker design    Packaging spec

Fig.	Number of poles	Code	Switching function	Code	Terminal style	Fig.	Roker design	Fig.	Roker design	Code	Packaging spec
1	1 pole	A	ON — OFF	C	PC Straight	1	Unfigured	—		Blank	Plastic bags
2	2 poles	K	ON — OFF	C4	PC-R/A	2	●	5	— ○	C	Card board Tray
				C5	PC-L/A	3	○	—			
				L	Solder Terminals						
				Z2	TAB:#250						

### PC Hole Layouts

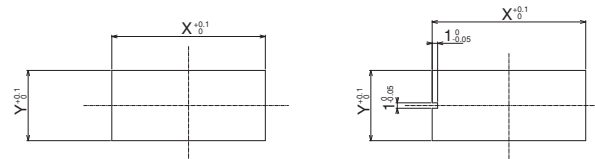


PC

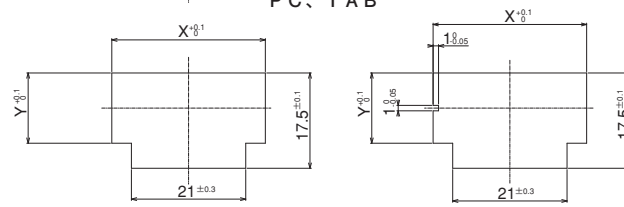


R/A、L/A

### Panel Cut-Out Dimensions



PC、TAB



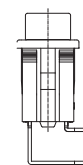
R/A、L/A

R/A

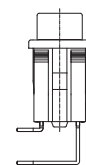
Panel thickness	X	Y
0.75~1.25	28.2	12.9
1.25以上~2	28.4	12.9
2~3	28.8	12.9

### Terminal Styles

Solder Terminals (Style:L)	TAB#250 (Style:Z2)	PC Straight (Style:C)	R/A (Style:C4) L/A (Style:C5)



R/A

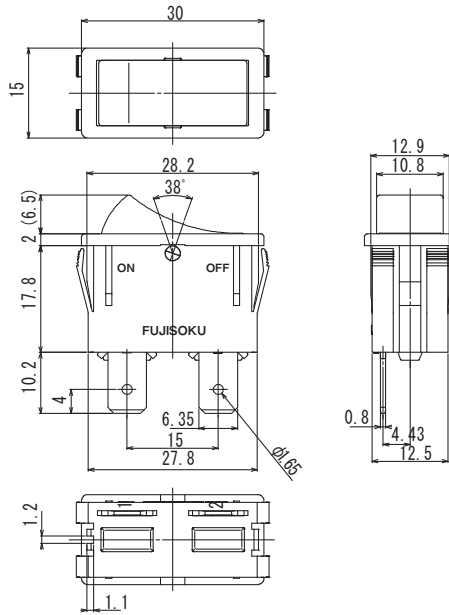


L/A

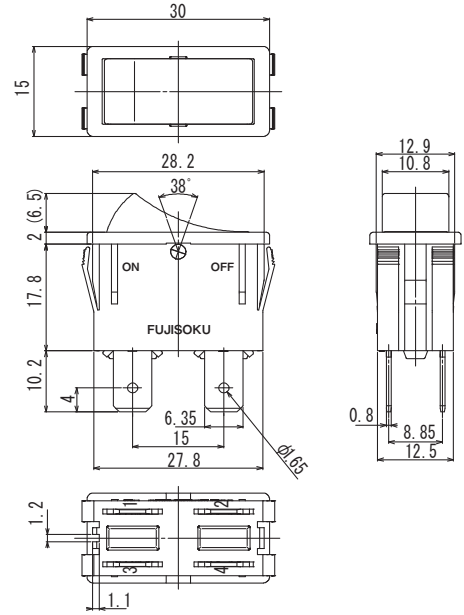
※For the L/A terminal, only two poles are available.

## Outline dimensions

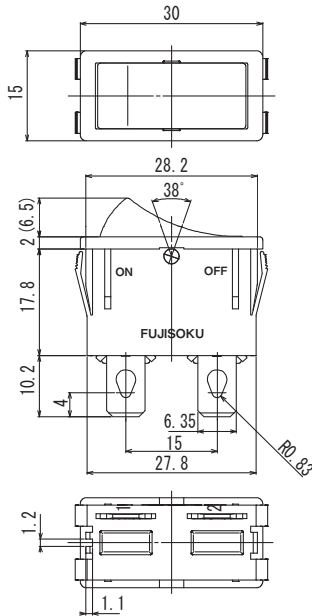
### ● Tab:#250 1Pole



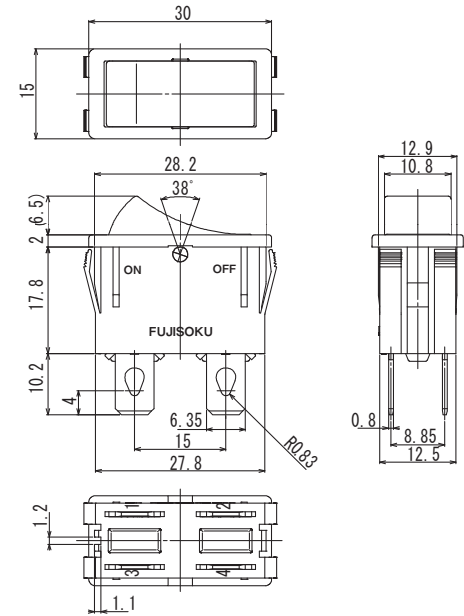
### ● Tab:#250 2Poles



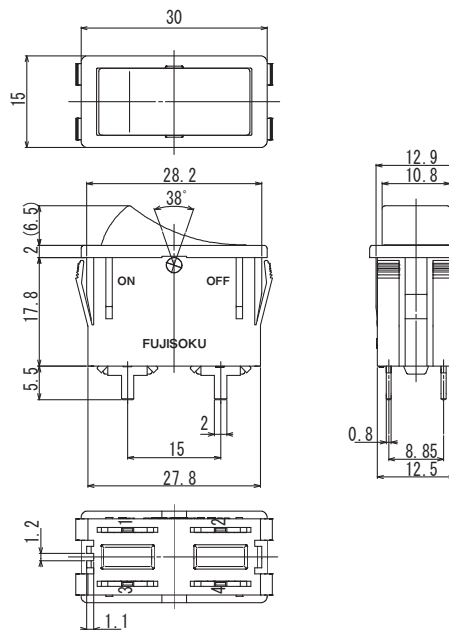
### ● Solder 1Pole



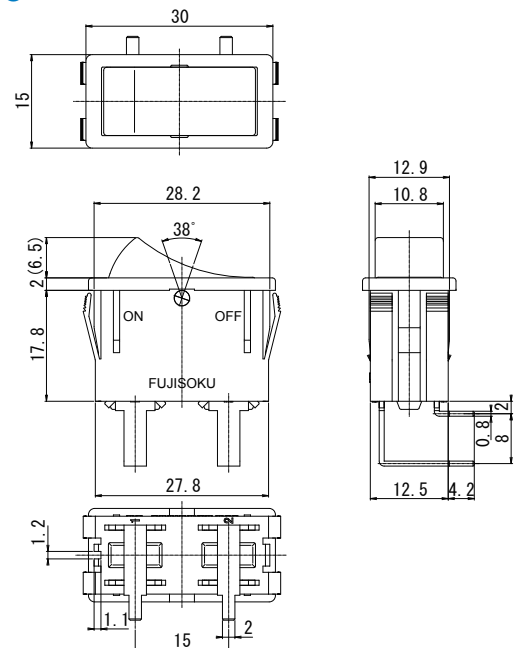
### ● Solder 2Poles



### ● P/C 1and2Poles



### ● PC-L/A 2Poles



## List part numbers

Number of poles	Switching function	Terminal style	Rocker design			Pieces in package	Packaging spec
			No marking	●	○		
1 Pole	ON-OFF	PC-R/A	—	—	CF-LA-1AC4-3C	100pcs./pack	Card board Tray
		Solder Terminals	CF-LA-1AL-1C	CF-LA-1AL-2C	—		
		Tab:#250	CF-LA-1AZ2-1C	—	CF-LA-1AZ2-3C		
2 Poles	ON-OFF	PC Straight	—	—	CF-LA-2KC-3C		
		PC-L/A	—	—	CF-LA-2KC5-3C		
		Solder Terminals	CF-LA-2KL-1C	—	—		
		Tab:#250	CF-LA-2KZ2-1C	—	CF-LA-2KZ2-3C		
1 Pole	ON-OFF	PC-R/A	—	—	CF-LA-1AC4-3	5pcs./pack	Plastic bags
		Solder Terminals	CF-LA-1AL-1	CF-LA-1AL-2	CF-LA-1AL-3		
		Tab:#250	CF-LA-1AZ2-1	—	CF-LA-1AZ2-3		
2 Poles	ON-OFF	Tab:#250	—	CF-LA-2KZ2-2	CF-LA-2KZ2-3		

Number of poles	Switching function	Terminal style	Rocker design			Pieces in package	Packaging spec
			—	— ○	—		
2 Poles	ON-OFF	Tab:#250	—	CF-LA-2KZ2-5C	—	100pcs./pack	Card board Tray
2 Poles	ON-OFF	PC Straight	—	CF-LA-2KC-5	—	5pcs./pack	Plastic bags
		Tab:#250	—	CF-LA-2KZ2-5	—		

## Soldering Specifications

### (1) Auto Soldering

Device : Jet wave type or dip type  
260°C ; 5-6 seconds, Max.

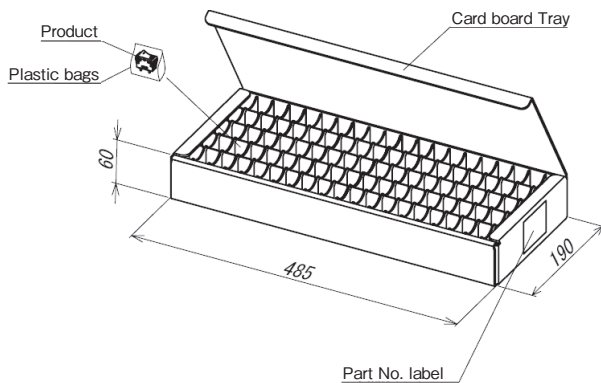
- Pre-heating should be done at temperatures ranging from 80°C to 150°C and within 2 or 3 minutes  
The auto soldering is applicable to the PC terminals only.

### (2) Manual Soldering

Device : Soldering iron  
380°C, Max.; 3 seconds, Max.

## Packing Specification

Card board Tray(100pcs. / pack)



Plastic bags (5pcs. / pack)

[Product packaging box]

