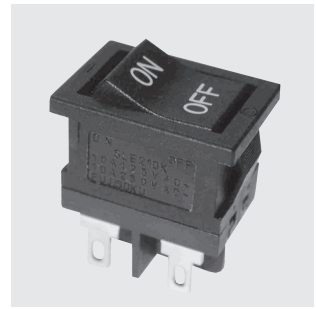


SLE210K

Dust Proof



Miniature Power Rocker Switches

C-US UL SEMKO

RoHS Compliant

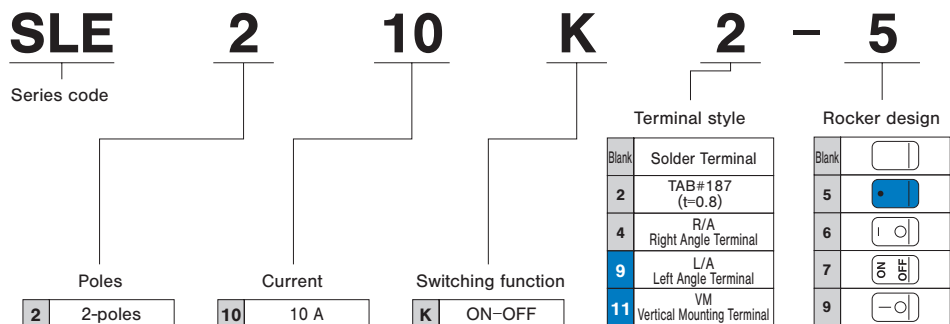
Features

1. C-US UL and SEMKO approved products
2. Snap-in panel mounting
3. Compact size is suited for space-saving design.
4. Best suited for power supply of equipment.
5. Dust-proof type
6. 100 A rush current type.
7. Breaking distance is 3 mm or over.

Specifications

Rating	Load	Inductive load				Resistive load
		125VAC		250VAC		
Inrush current (p.f.=0.6)	Break current (p.f.=0.9)	100A	60A	100A	60A	10A 125VAC 10A 250VAC (p.f.=1.0)
		10A	10A	10A	10A	
Min.		10mA 5VAC/DC				(Resistive load)
C-US UL		125VAC 6A /250VAC 6A				(Resistive load)
Initial contact resistance		20mΩ max.				(1A 1~2VDC)
Initial dielectric strength		1500VAC 1 minute				
Initial insulation resistance		100MΩ min.				(500VDC)
Electrical life (cycles)		5,000	10,000	5,000	10,000	10,000
Operating force		3.92~12.7N				
Operating temperature range		-25~+85°C				
Storage temperature range		-40~+85°C				

Part Numbering



Marking Color

Frame color•Rocker color	Making color
Black	White

Handling Precautions

1. Soldering Specifications

(1) Manual Soldering

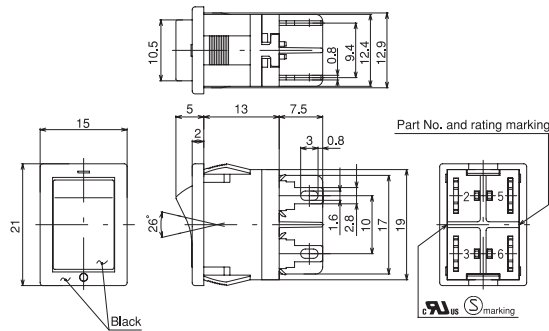
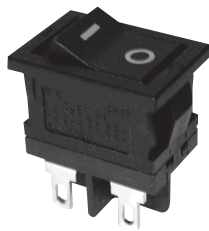
Device : Soldering iron
380°C, Max.; 3 seconds, Max.

※The tab terminals cannot be soldered.

Table of Part Numbers

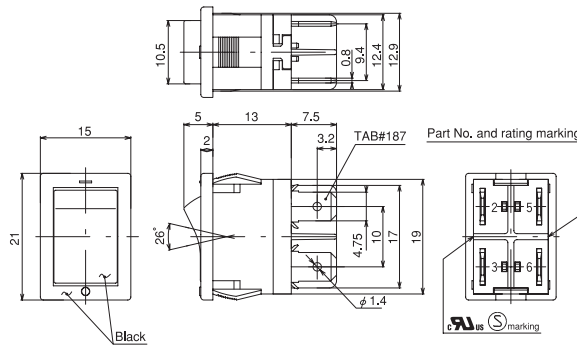
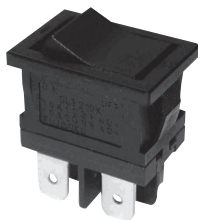
Frame color and rocker color	Marking color	Switching function	Terminal styles	Part number and rating marking side				
Black	White	ON-OFF	Solder terminal	☆SLE210K	★SLE210K-5	SLE210K-6	★SLE210K-7	SLE210K-9
			#187 TAB	SLE210K2	SLE210K2-5	SLE210K2-6	SLE210K2-7	SLE210K2-9
			Right Angle Terminal	★SLE210K4	-	☆SLE210K4-6	★SLE210K4-7	-
			Left Angle Terminal	-	★SLE210K9-5	-	★SLE210K9-7	★SLE210K9-9
			Vertical Mounting Terminal	-	-	★SLE210K11-6	-	-

Solder terminal

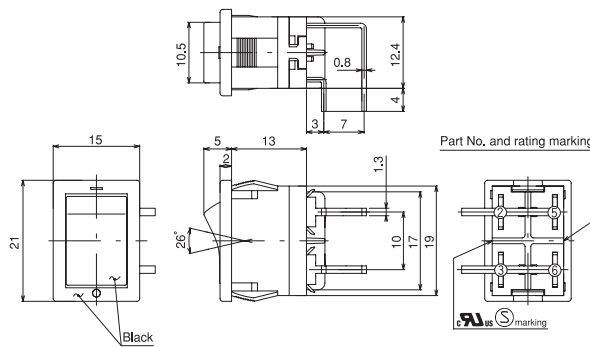
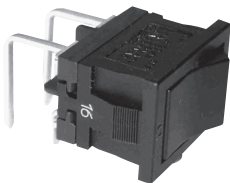


Part No.	Switching function	
	Viewed from part No. & rating marking side	
Part No.		
Switching function	ON	OFF
Connecting terminals	2-3 5-6	-

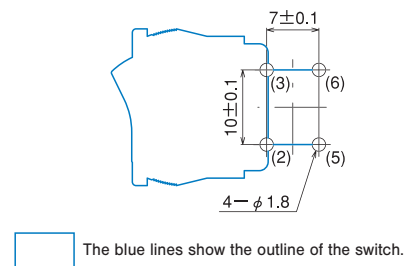
TAB#187 Terminal



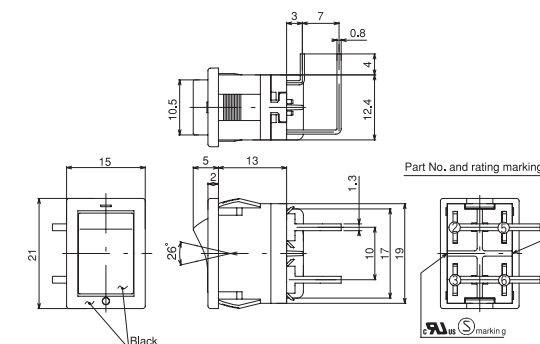
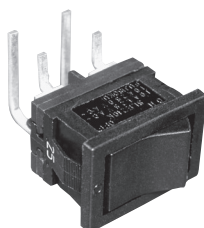
Right Angle Terminal



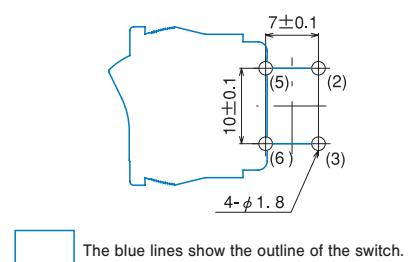
PC Hole Layouts (Top view)



Left Angle Terminal



PC Hole Layouts (Top view)

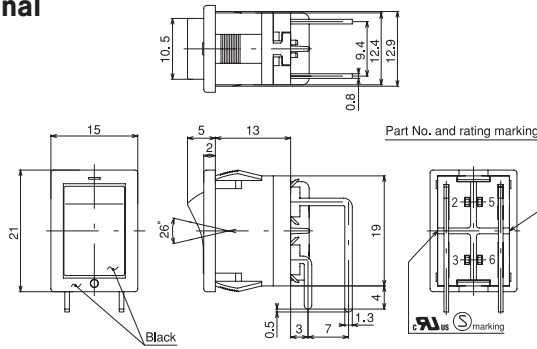
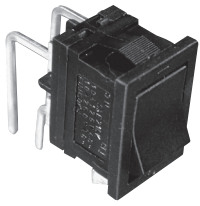


☆ : Semi-standard products.

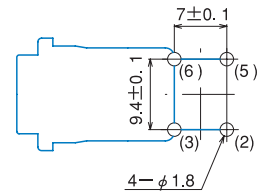
★ : Made to order products.

● Terminal numbers are shown on the bottom of the switch.

Vertical Mounting Terminal

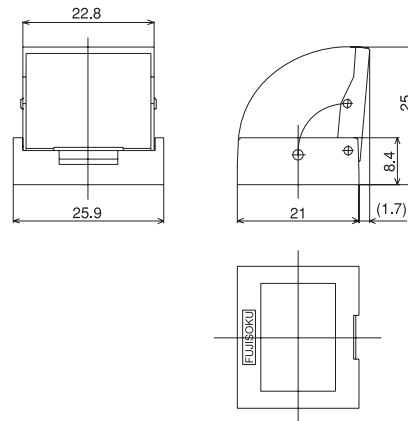


PC Hole Layouts (Top view)



The blue lines show the outline of the switch.

Switch Guard Dedicated for use of rocker switches



Features

Clear visibility and one-touch mounting to save labor

Application

Best suited for protection of malfunction of miniature rocker switches (panel cutout: 19.2 x 12.9mm)

Specifications

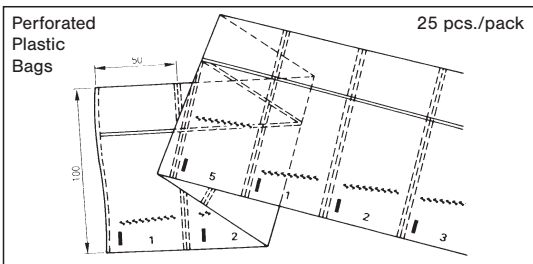
Part Name: Switch guard
 Part Number: 140007250027
 Color: Black (transparent cover)

※The switch guard cannot be used for the SLE10K series, SLE210K right angle terminal, and SLE210K left angle terminal.

Approvals

UL File No. E43275
 SEMKO File No. SE-S-2002358

Packaging Specification



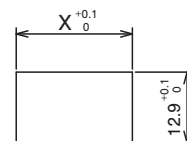
Panel Cut-Out Dimensions

Switches

Panel thickness	X
0.75~1.25	19.2
1.25~2.0	19.4
2.0~3.0	19.8

Switch Guard Installation

Panel thickness	X
0.75~1.4	19.4
1.4~2.3	19.8



■ Precautions for Panel

The edges on the back of the cut-out panel should be squared so that the switch box bites the panel firmly. When the panel is coated, pay attention that the coating will not retain around the edge. Do not reuse the switch that was once mounted on a panel.

