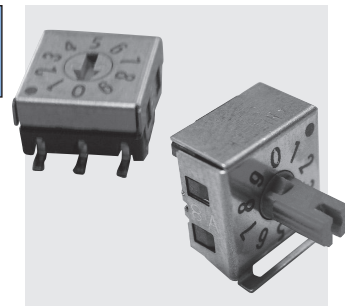


# SMR·SMRR 7000C 8000C

Washable

## Hyper-Miniature Dip Rotary Switches(7.5mm sq.) 〔Surface Mount〕



RoHS Compliant

### ■ Features

- 1. Hyper-miniature Size(7.5mm sq.)**  
Designed for high density mounting.
- 2. Process Sealed**
- 3. Gold Plated Contacts**
- 4. Clearly Visible Legends and Position Indicator**

### ■ Specifications

Rating	Switching	Max.	30mA 15VDC
		Min.	1μA 20mVDC
	Non-switching		100mA 50VDC
Contact resistance		100mΩ maximum	
Dielectric strength		250VAC, 60s	
Insulation resistance		1,000MΩ . minimum(100VDC)	
Load life		20,000 steps 30mA 15VDC	
Operating torque		49mN·m [500gf·cm] maximum	
Operating temperature range		-25~+85°C	
Storage temperature range		-40~+85°C	

### ■ Part Numbering

<b>SMR</b>	<b>R</b>	<b>7</b>	<b>0</b>	<b>10</b>	<b>C</b>	<b>-</b>	<b>1E</b>
Series code	Terminals	Actuators	Circuits	Number of positions	Structure		Packaging spec
None	Gull Wing	7	0	10		1	Stick-Tube
R	Right angle	8	1	16		1E	Taping
			Real code	10 positions			
			Complementary code	16 positions			

### ■ Table of Part Numbers

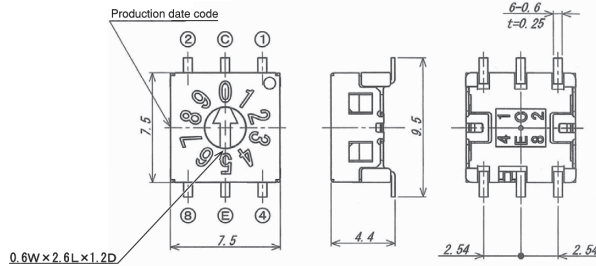
Circuit function	Positions	Screwdriver Actuator		Shaft Actuator	
		Gull Wing	Right Angle	Gull Wing	Right Angle
Real code	10	SMR7010C-1 SMR7010C-1E	SMRR7010C-1 SMRR7010C-1E	★ SMR8010C-1	★ SMRR8010C-1 ★ SMRR8010C-1E
	16	SMR7016C-1 SMR7016C-1E	SMRR7016C-1 SMRR7016C-1E	SMR8016C-1	★ SMRR8016C-1 ★ SMRR8016C-1E
Complementary code	10	SMR7110C-1 SMR7110C-1E	SMRR7110C-1 SMRR7110C-1E	SMR8110C-1	★ SMRR8110C-1 ★ SMRR8110C-1E
	16	SMR7116C-1 SMR7116C-1E	SMRR7116C-1 SMRR7116C-1E	★ SMR8116C-1	★ SMRR8116C-1 ★ SMRR8116C-1E

★ : Made-to-order products.

**SMR7010C-1(E)**  
**SMR7110C-1(E)**



( Gull Wing )



Terminal numbers are shown on the bottom of the switch.

● Real code

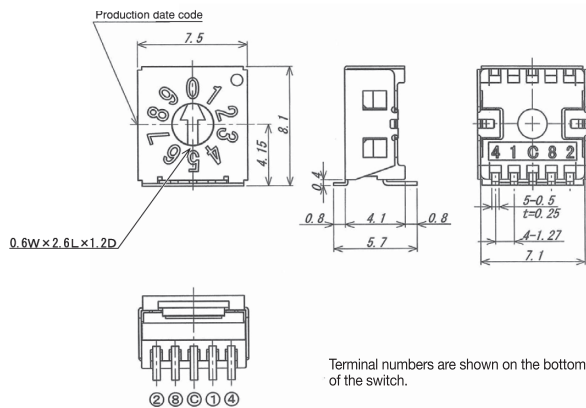
Actuator color : Yellow

Part No.	Position	Terminal #			
		1	2	4	8
SMR7010C-1(E) SMRR7010C-1(E)	0				
	1	●			
	2		●		
	3	●	●		
	4			●	
	5	●		●	
	6		●	●	
	7	●	●	●	
	8				●
9	●			●	

**SMRR7010C-1(E)**  
**SMRR7110C-1(E)**



( Right Angle )



Terminal numbers are shown on the bottom of the switch.

● Complementary code

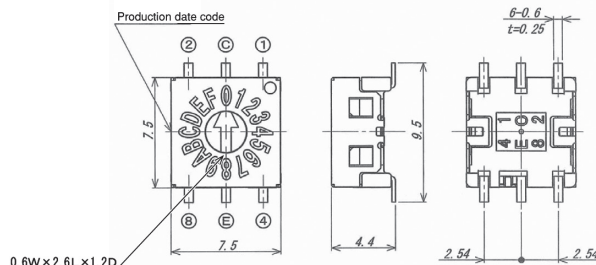
Actuator color : Red

Part No.	Position	Terminal #			
		1	2	4	8
SMR7110C-1(E) SMRR7110C-1(E)	0	●	●	●	●
	1		●	●	●
	2	●		●	●
	3			●	●
	4	●	●		●
	5		●		●
	6	●			●
	7				●
	8	●	●	●	
9		●	●		

**SMR7016C-1(E)**  
**SMR7116C-1(E)**



( Gull Wing )



Terminal numbers are shown on the bottom of the switch.

● Real code

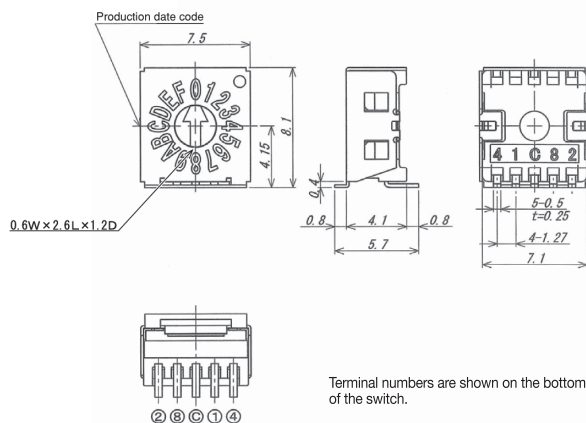
Actuator color : Yellow

Part No.	Position	Terminal #			
		1	2	4	8
SMR7016C-1(E) SMRR7016C-1(E)	0				
	1	●			
	2		●		
	3	●	●		
	4			●	
	5	●		●	
	6		●	●	
	7	●	●	●	
	8				●
	9	●			●
	A		●		●
	B	●	●		●
	C			●	●
D	●		●	●	
E		●		●	
F	●	●	●	●	

**SMRR7016C-1(E)**  
**SMRR7116C-1(E)**



( Right Angle )



Terminal numbers are shown on the bottom of the switch.

● Complementary code

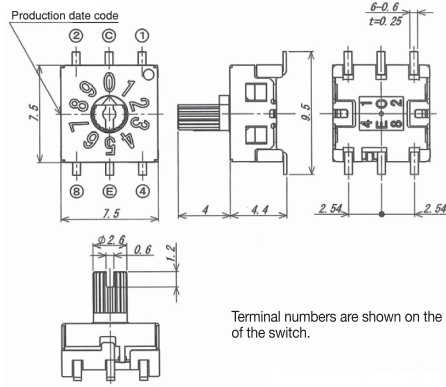
Actuator color : Red

Part No.	Position	Terminal #			
		1	2	4	8
SMR7116C-1(E) SMRR7116C-1(E)	0	●	●	●	●
	1		●	●	●
	2	●		●	●
	3			●	●
	4	●	●		●
	5		●		●
	6	●			●
	7				●
	8	●	●	●	
	9		●	●	
	A	●		●	
	B			●	
	C	●	●		
D		●			
E	●				
F					

**SMR8010C-1**  
**SMR8110C-1**



( Gull Wing )



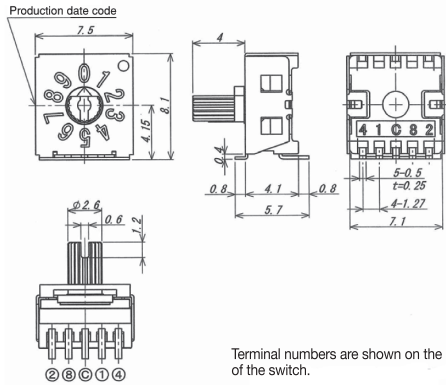
● Real code Actuator color : Yellow

Part No.	Position	Terminal #			
		1	2	4	8
SMR8010C-1 SMRR8010C-1(E)	0				
	1	●			
	2		●		
	3	●	●		
	4				●
	5	●		●	
	6		●	●	
	7	●	●	●	
	8				●
	9	●			●

**SMRR8010C-1(E)**  
**SMRR8110C-1(E)**



( Right Angle )



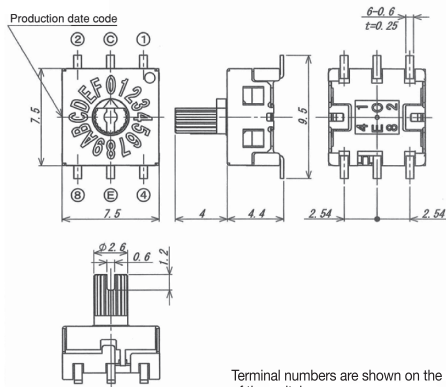
● Complementary code Actuator color : Red

Part No.	Position	Terminal #			
		1	2	4	8
SMR8110C-1 SMRR8110C-1(E)	0	●	●	●	●
	1		●	●	●
	2	●		●	●
	3			●	●
	4	●	●		●
	5		●		●
	6	●			●
	7				●
	8	●	●	●	
	9		●	●	

**SMR8016C-1**  
**SMR8116C-1**



( Gull Wing )



● Real code Actuator color : Yellow

Part No.	Position	Terminal #			
		1	2	4	8
SMR8016C-1 SMRR8016C-1(E)	0				
	1	●			
	2		●		
	3	●	●		
	4				●
	5	●		●	
	6		●	●	
	7	●	●	●	
	8				●
	9	●			●
	A		●		●
	B	●	●		●
	C			●	●
	D	●		●	●
	E		●	●	●
	F	●	●	●	●

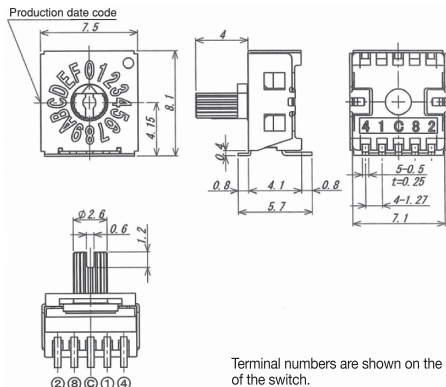
● Complementary code Actuator color : Red

Part No.	Position	Terminal #			
		1	2	4	8
SMR8116C-1 SMRR8116C-1(E)	0	●	●	●	●
	1		●	●	●
	2	●		●	●
	3			●	●
	4	●	●		●
	5		●		●
	6	●			●
	7				●
	8	●	●	●	
	9		●	●	
	A	●		●	
	B			●	
	C	●	●		
	D		●		
	E	●			
	F				

**SMRR8016C-1(E)**  
**SMRR8116C-1(E)**



( Right Angle )



PCB Footprints

(Top view)

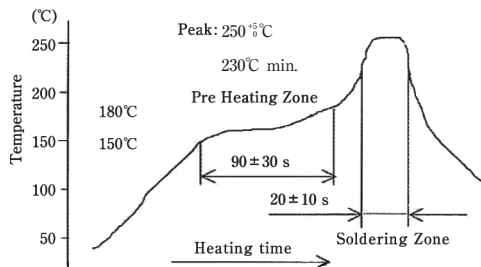
Terminal style	Gull Wing	Right Angle
Footprint dimensions		

Soldering Specifications

- Manual Soldering  
350°C, 3 sec. Max.
- Reflow  
Peak temperature 255°C (Please refer to the profile below.)

Flux Cleaning

After soldering, wait until the switches cool down to room temperature (30°C or below) before washing. If the switches are cleaned while still above 30°C, a vacuum will occur which will cause the cleaning solution to be sucked into the switches.



Reflow soldering: 2 times max.

Packaging Specifications

Series	SMR7000C-1E	SMRR7000C-1E/8000C-1E
Taping	<p>1,000 pcs/reel</p>	<p>500 pcs/reel</p>
Stick-Tube	<p>50 pcs/stick</p> <p>Ø = 435±1</p>	

- Taping quantity: SMR series 1,000pcs / reel, SMRR series 500pcs/reel. Each reel is packed in a cardboard box.
- Minimum packaging quantity: Stick-Tube 50pcs, Taping 500pcs or 1,000pcs (refer to Packaging Specifications)