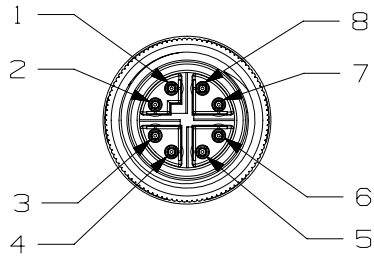
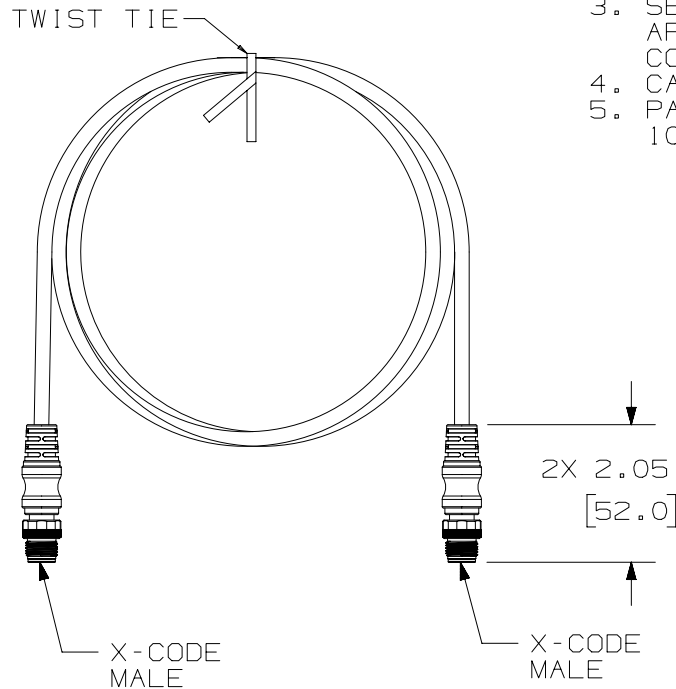


THIS COPY IS PROVIDED ON A RESTRICTED BASIS AND IS NOT TO BE USED IN ANY WAY DETRIMENTAL TO THE INTERESTS OF PANDUIT CORP.

WIRE MAPPING



- 1 = WHITE/ORANGE
- 2 = ORANGE
- 3 = WHITE/GREEN
- 4 = GREEN
- 5 = WHITE/BROWN
- 6 = BROWN
- 7 = WHITE/BLUE
- 8 = BLUE



NOTES:

1. PART NUMBER: ICX11T1NTL\*M
2. DIMENSIONS IN PARENTHESES ARE IN METRIC.
3. SEE CURRENT CATALOG FOR VARIOUS APPLICATIONS AND TO INDICATE COLOR AND OR PACKAGE QUANTITY.
4. CABLE MEETS CATEGORY 6A REQUIREMENTS.
5. PART AVAILABLE IN 1M, 2M, 3M, 5M, 10M, 15M, 20M LENGTH.

TITLE <b>ICX11T1NTL*M M12 MALE-MALE X-CODE, STRAIGHT, STP, TPE, TEAL</b>		CUSTOMER DRAWING	
ITEM REVISION NAME <b>00421EBR/00</b>		<b>PANDUIT</b>	
DATASET FILE NAME <b>00421EBR_DC/00A</b>			
MATERIAL <b>N/A</b>		DRAWING NUMBER <b>00421EBR-DC</b>	
THIRD ANGLE PROJECTION			
DRAWN BY <b>JBO</b>	DATE <b>6/4/19</b>	CHK <b>DAJP</b>	SCALE <b>NONE</b>
SHEET 1 OF 1		SIZE <b>A</b>	

A-SIZE CUSTOMER

00A	6/4/19	JBO	DAJP	EOS	INITIAL RELEASE	ECN-INI-0015
REV	DATE	BY	CHK	APR	DESCRIPTION	ECN

2

1

2

1