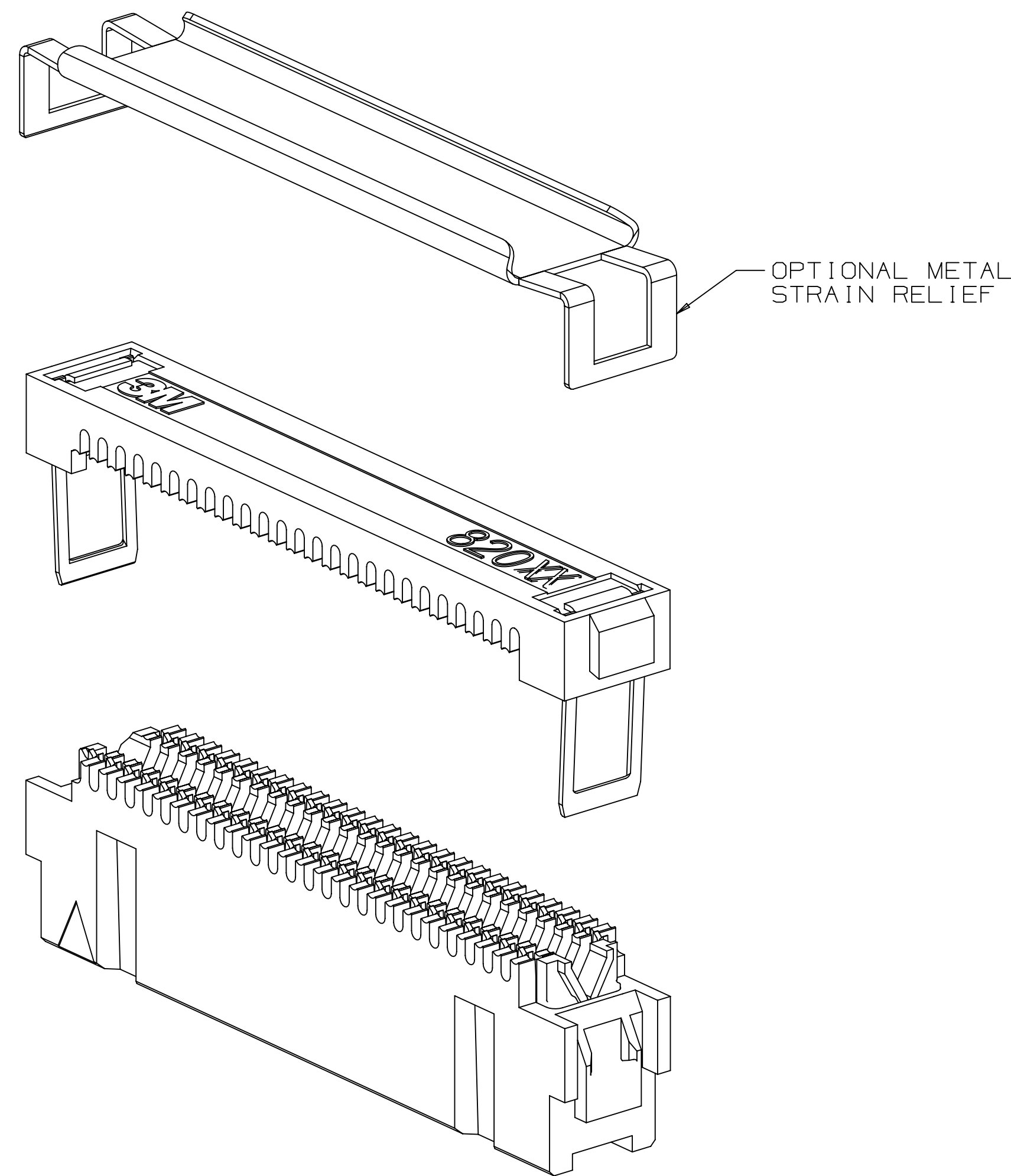


3M™ TRIPOLARIZED WIREMOUNT SOCKET, 820 SERIES
 .050" X .100" FOR .025" PITCH CABLE



- * TRIPOLARIZED FOR ROBUST ALIGNMENT WHEN MATING TO 3M™ 810 SERIES HEADER.
- * .050" X .100" HALVES THE CONNECTOR LENGTH VS. TRADITIONAL .100" X .100" PRODUCTS.
- * HILL-N-DALE DESIGN PROVIDES A HIGH PERFORMANCE IDC TERMINATION AND IMPROVED SIGNAL INTEGRITY VS. PLANAR TERMINATED CONNECTORS.
- * BERYLLIUM COPPER ALLOY CONTACTS FOR SUPERIOR STRENGTH AND RELIABILITY.
- * METAL COVER LATCH FOR POSITIVE COVER RETENTION AND LONG TERM RELIABILITY.
- * METAL STRAIN RELIEF FOR INCREASED RELIABILITY AND DURABILITY.

- NOTES
- REGULATORY INFORMATION: VISIT 3M.com/regs
 - UNLESS OTHERWISE NOTED, REFERENCES TO INDUSTRY SPECIFICATIONS ARE INTENDED TO INDICATE SUBSTANTIAL COMPLIANCE TO THE MATERIAL ELEMENTS OF THE SPECIFICATION. SUCH REFERENCES SHOULD NOT BE CONSTRUED AS A GUARANTEE OF COMPLIANCE TO ALL REQUIREMENTS IN A GIVEN SPECIFICATION.
 - THIS POLARIZING SLOT DOES NOT EXIST ON THE 20 POSITION SOCKET.
 - RECOMMENDED TO BE MATED TO THE .050" X .100" 3M™ 810XX SERIES HEADERS, TS-0253.

2 PHYSICAL :

INSULATION: GLASS FILLED POLYESTER (PBT)
 MATERIAL: UL94V-0
 FLAMMABILITY: UL94V-0
 COLOR: GRAY
 CONTACT: BERYLLIUM COPPER ALLOY
 PLATING:
 UNDER PLATING: 50μ"-150μ" [1.27μm-3.81μm] NICKEL-OVERALL
 U-SLOT: 100μ"-300μ" [2.54μm-7.62μm] MATTE TIN
 WIPING AREA: 30μ" [0.76μm] GOLD AVG.
 WIRE ACCOMMODATION: 30 AWG SOLID, 30 AWG PLEATED FOIL AND 30 AWG STRANDED, PVC, TPE, FEP.
 MARKINGS: 3M LOGO AND ORIENTATION TRIANGLE

2 ELECTRICAL :

CURRENT RATING: 3.00 A, 1 CONTACT POWERED
 2.00 A, 4 CONTACTS POWERED
 0.75 A, ALL CONTACTS POWERED

RATING CONDITIONS: EIA-364-070 METHOD 2, 30°C MAXIMUM TEMPERATURE RISE, 20% DERATED. REFERENCE APPROPRIATE 3M PRODUCT SPECIFICATION FOR DETAILED CURRENT DERATING CURVES.

INSULATION RESISTANCE: >1 X 10⁹Ω AT 500 V_{DC}
 WITHSTANDING VOLTAGE: 500V_{RMS} AT SEA LEVEL

2 ENVIRONMENTAL :

TEMPERATURE RATING: -55°C TO +105°C

ORDERING INFORMATION
 STRAIN RELIEF
 (IF ORDERED SEPARATELY)

3858-XXX

CONTACT QUANTITY
 (SEE TABLE 1)

NOTE:
 THE STRAIN RELIEF BY ITSELF
 IS NOT UL CERTIFIED.

ORDERING INFORMATION
 SOCKETS

82XXX-600X-RB

CONTACT QUANTITY
 (SEE TABLE 1)

STRAIN RELIEF:
 0 = NO STRAIN RELIEF
 6 = WITH STRAIN RELIEF

NOTE:
 APPLICATION TOOLS: 3M™ PRESS (OR EQUIVALENT),
 3M™ LOCATOR PLATE 3443-113, 3M™ PLATTEN 3442-45.

DIMENSIONS: INCHES [MM]
 [MM] IS REF. ONLY

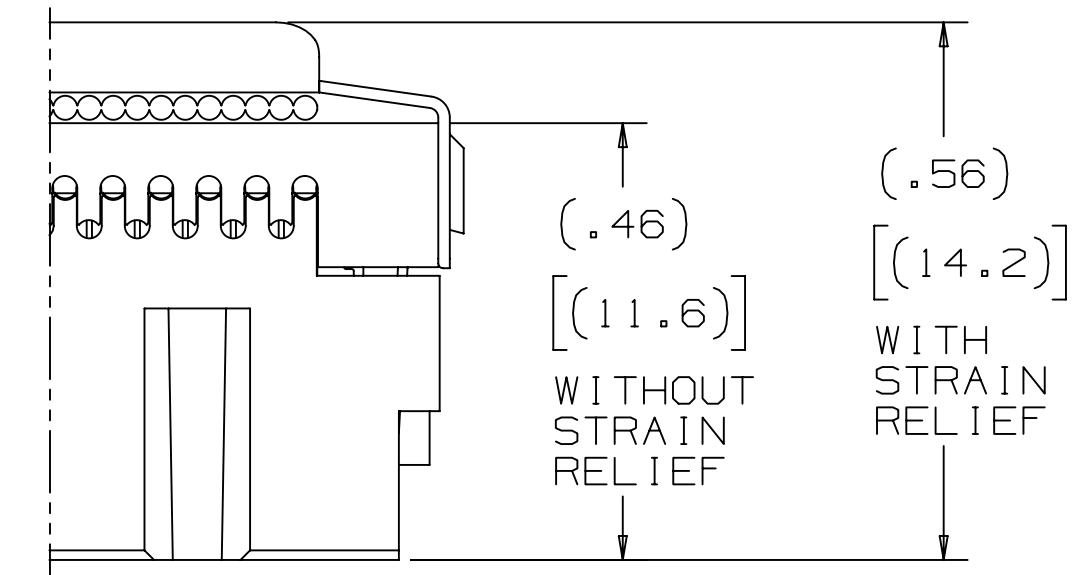
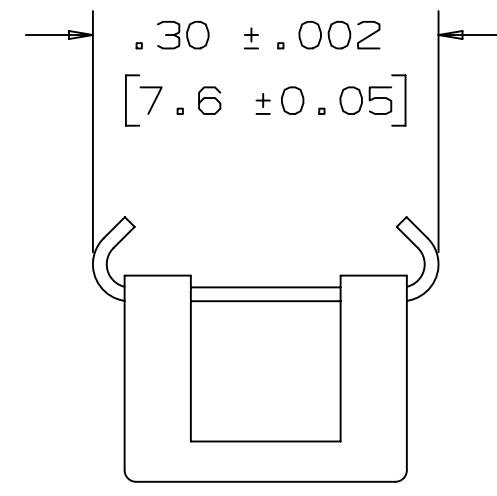
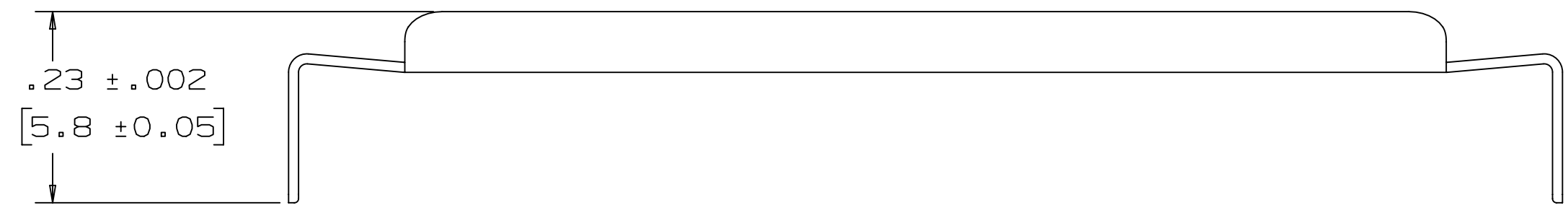
DESIGN REFERENCE	NEXT ASSEMBLY	REV	ECO	ISSUE DATE AND DESCRIPTION	DRFT	CHKD
XXXX		1		JAN 10, 2022	JNC	SAN
DRFT	CASTIGLIONE	DATE	JAN 10, 2022	MFG	DATE	
CHKD		DATE		APPV	DATE	
				S. NEU	JAN 10, 2022	
DIVISION	DIVISION CODE	© 3M COPYRIGHT 2022 This document and the information it contains are 3M property and may not be reproduced or further distributed without 3M permission, or used or disclosed other than for 3M authorized purposes. All rights reserved.				
DO NOT SCALE DRAWING	SCALE	TOLERANCES EXCEPT AS NOTED INCHES .00 ± .01 .000 ± .005 .0000 ± .0002 MILLIMETERS 0 ± .0 ± .00 ± .000 ±				
THIRD ANGLE PROJECTION	INTERPRET PER ASME Y14.5 - 2018	TITLE TRIPOLARIZED WIREMOUNT SOCKET, .050 X .100				
MAX SURFACE ROUGHNESS	ALL SURFACES	CAGE NUMBER	SIZE	DRAWING NO.	REV.	
✓ MARKED ONLY	ANGLES ±	D		78-5100-0254-2	E	
		MODEL	B20	DET	LISTS	YES <input type="checkbox"/> NO <input type="checkbox"/> SHT 1 OF 3

3M ELECTRONICS MATERIALS SOLUTIONS DIVISION
 INTERCONNECT SOLUTIONS
<http://www.3M.com/interconnect>

3M IS A TRADEMARK OF 3M COMPANY.
 FOR TECHNICAL, SALES OR ORDERING
 INFORMATION CALL 800-225-5373

3M
 UL FILE NO: E68080

3M™ TRIPOLARIZED WIREMOUNT SOCKET, 820 SERIES
 .050" X .100" FOR .025" PITCH CABLE



ASSEMBLED HEIGHT

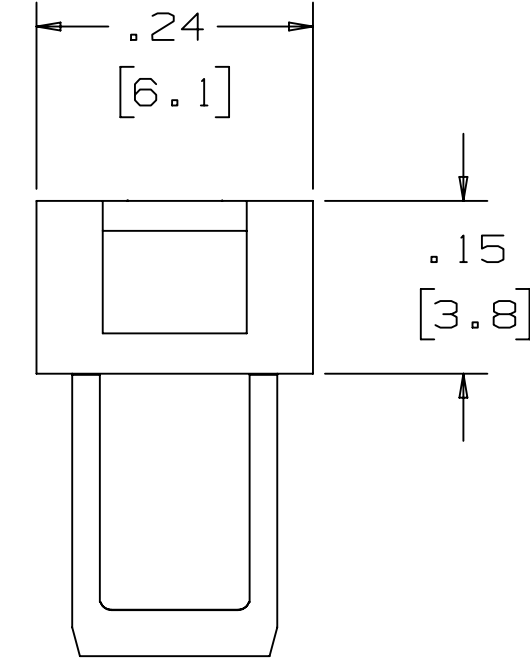
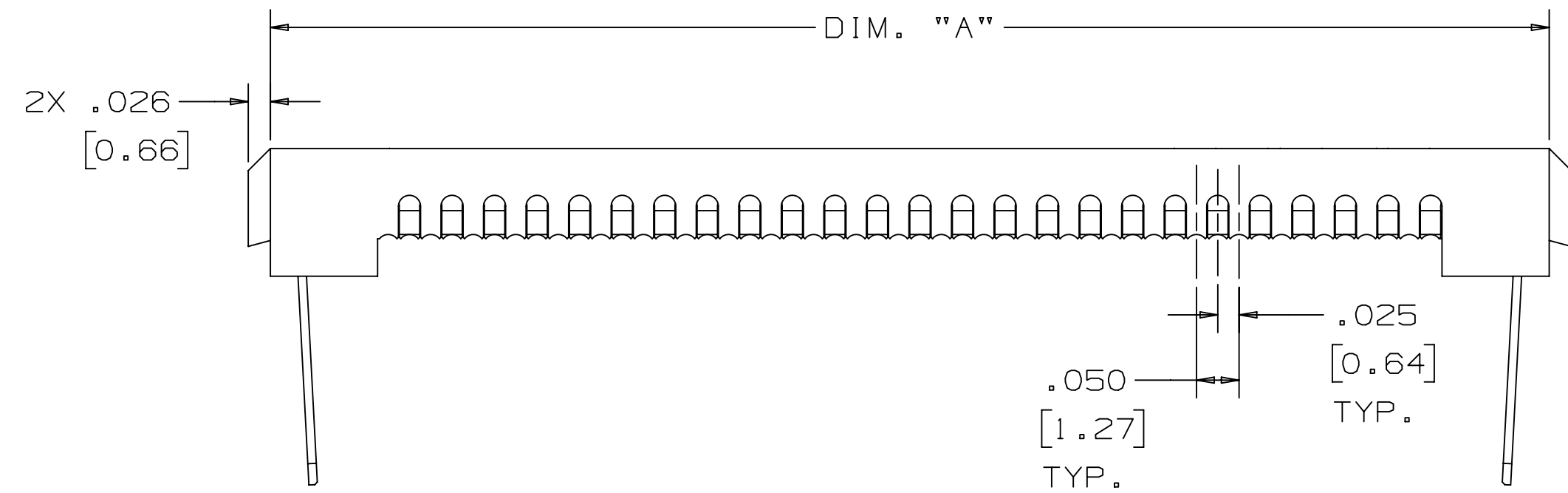
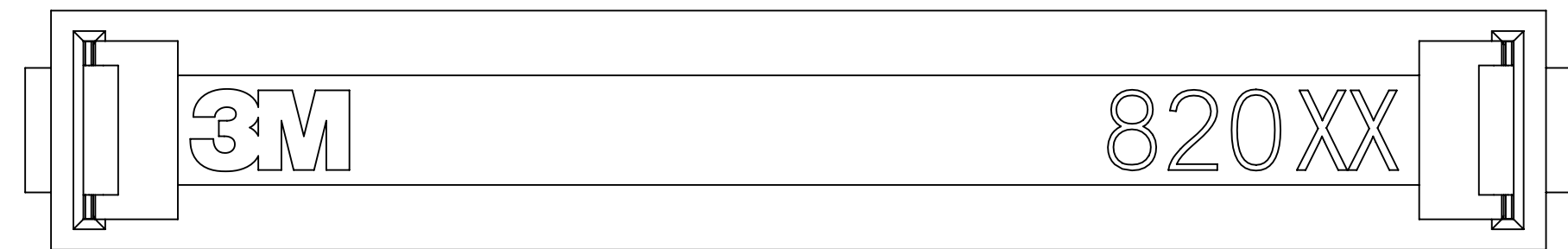
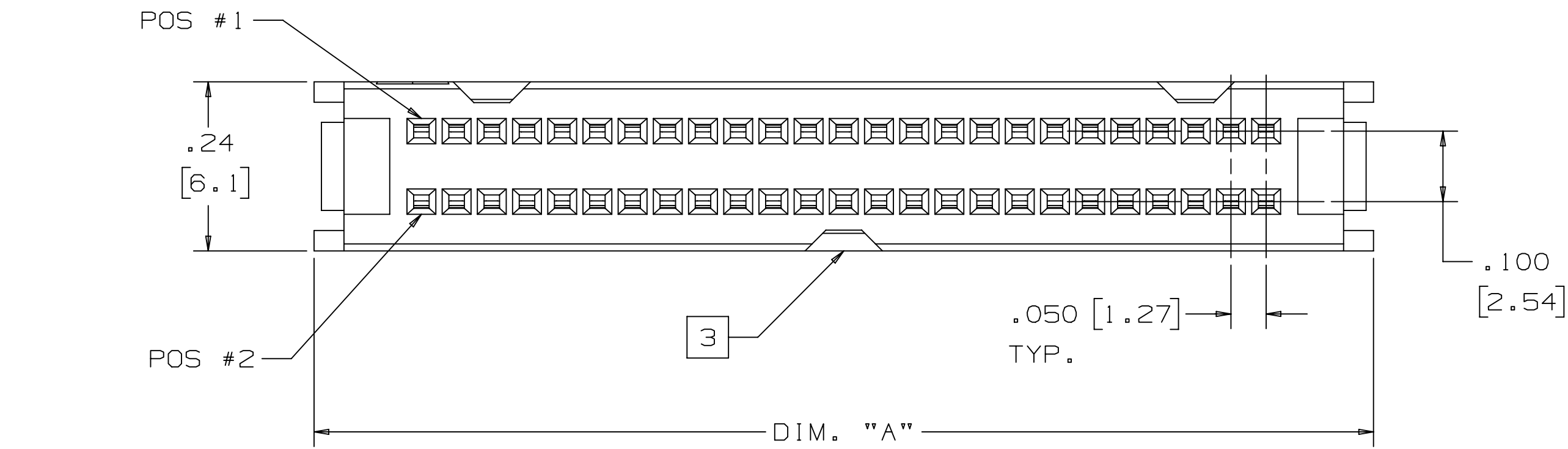
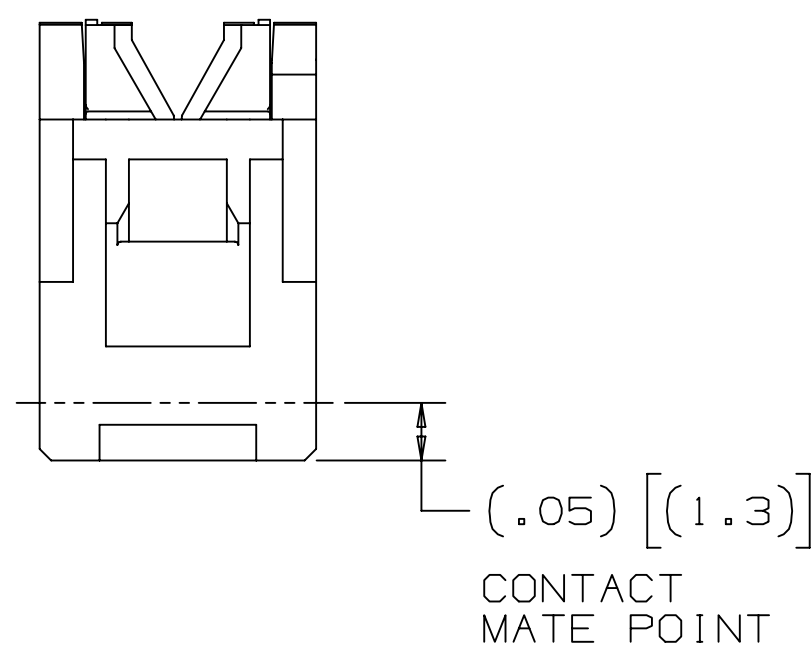
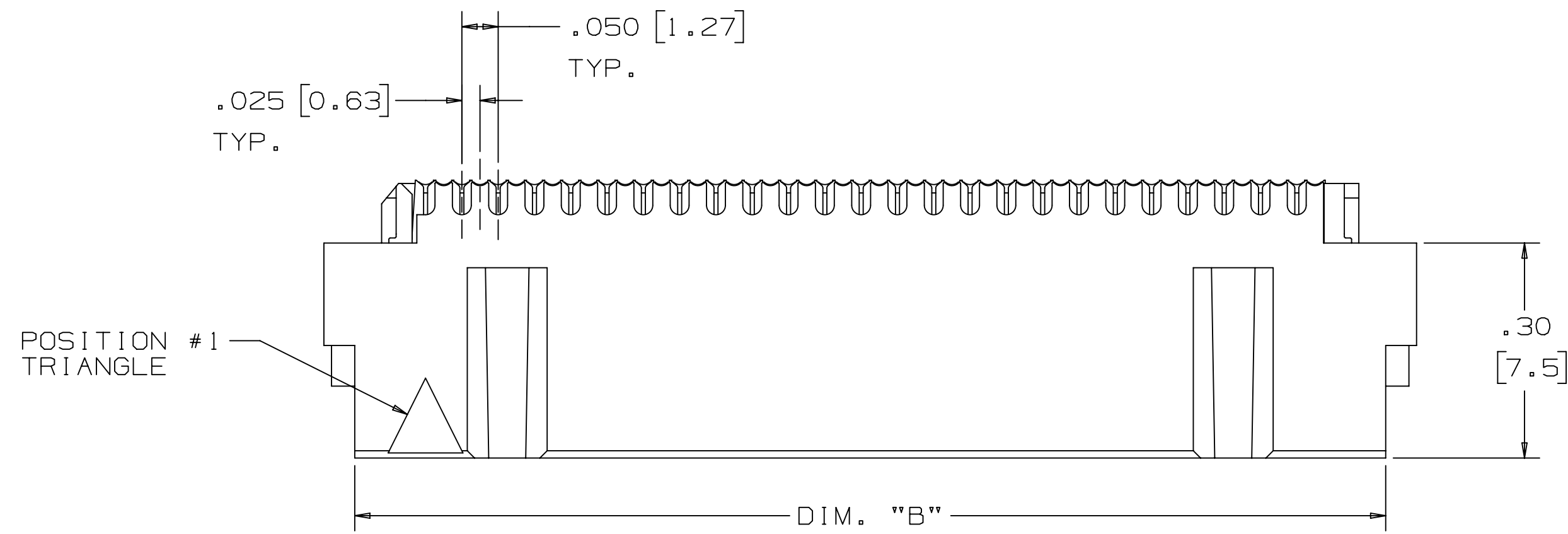


TABLE 1		
CONTACT QTY	DIM. "A"	DIM. "B"
020	.755 [19.18]	.670 [17.02]
026	.905 [22.99]	.820 [17.02]
036	1.155 [29.34]	1.070 [27.18]
040	1.255 [31.88]	1.170 [29.72]
050	1.505 [38.23]	1.420 [36.07]
060	1.755 [44.58]	1.670 [42.42]
068	1.955 [49.66]	1.870 [47.50]
080	2.255 [57.28]	2.170 [55.12]
100	2.755 [69.98]	2.670 [67.82]



DESIGN REFERENCE	NEXT ASSEMBLY	REV	ECO	ISSUE DATE AND DESCRIPTION	DRFT	CHKD
				JAN 10, 2022 REVISED AND REDRAWN	JNC	SAN
DRWING NUMBER		DRFT	CHKD	DATE	DATE	DATE
78-5100-0254-2		CASTIGLIONE		JAN 10, 2022	MFG	
		CHKD		DATE	APPV	DATE
					S. NEU	JAN 10, 2022
DIVISION	DIVISION CODE	© 3M COPYRIGHT 2022 This document and the information it contains are 3M property and may not be reproduced or further distributed without 3M permission, or used or disclosed other than for 3M authorized purposes. All rights reserved.				
DO NOT SCALE DRAWING	SCALE	TOLERANCES EXCEPT AS NOTED INCHES .0 ± .1 .00 ± .01 .000 ± .005 .0000 ± .0002				
THIRD ANGLE PROJECTION		MILLIMETERS 0 ± .0 ± .00 ± .000 ±				
INTERPRET PER ASME Y14.5 - 2018		MAX. SURFACE ROUGHNESS ALL SURFACES MARKED ONLY				
		CAGE NUMBER D 78-5100-0254-2		DRAWING NO. 78-5100-0254-2		REV. E
		MODEL	B20	DET	IS1s <input type="checkbox"/> YES <input checked="" type="checkbox"/> NO	SHT 2 OF 3

78-5100-0254-2
DRAWING NUMBER

E

8 7 6 5 4 3 2 1

3M™ TRIPOLARIZED WIREMOUNT SOCKET, 820 SERIES
 .050" X .100" FOR .025" PITCH CABLE

Regulatory: For regulatory information about this product, visit 3M.com/regs or contact your 3M representative.


Technical Information: The technical information, recommendations and other statements contained in this document are based upon tests or experience that 3M believes are reliable, but the accuracy or completeness of such information is not guaranteed.

Product Use: Many factors beyond 3M's control and uniquely within user's control can affect the use and performance of a 3M product in a particular application. Given the variety of factors that can affect the use and performance of a 3M product, user is solely responsible for evaluating the 3M product and determining whether it is fit for a particular purpose and suitable for user's method of application.

Warranty, Limited Remedy, and Disclaimer: Unless an additional warranty is specifically stated on the applicable 3M product packaging or product literature, 3M warrants that each 3M product meets the applicable 3M product specification at the time 3M ships the product. 3M MAKES NO OTHER WARRANTIES OR CONDITIONS, EXPRESS OR IMPLIED, INCLUDING, BUT NOT LIMITED TO, ANY IMPLIED WARRANTY OR CONDITION OF MERCHANTABILITY OR FITNESS FOR A PARTICULAR PURPOSE OR ANY IMPLIED WARRANTY OR CONDITION ARISING OUT OF A COURSE OF DEALING, CUSTOM OR USAGE OR TRADE. If the 3M product does not conform to this warranty, then the sole and exclusive remedy is, at 3M's option, replacement of the 3M product or refund of the purchase price.

Limitation of Liability: Except where prohibited by law, 3M will not be liable for any loss or damage arising from the 3M product, whether direct, indirect, special, incidental or consequential, regardless of the legal theory asserted, including warranty, contract, negligence or strict liability.

3M Company
 Electronics Materials Solutions Division
 13011 McCallen Pass, Bldg. C
 Austin, TX 78753-5380
 1-800-225-5373
 www.3M.com/interconnect

DESIGN REFERENCE		NEXT ASSEMBLY		REV	ECO	ISSUE DATE AND DESCRIPTION		DRFT	CHKD
E 101675		JAN 10, 2022		JNC	SAN	REVISED AND REDRAWN			
DRFT		DATE		MFG		DATE			
CASTIGLIONE		JAN 10, 2022							
CHKD		DATE		APPR		DATE			
				S. NEU		JAN 10, 2022			
DIVISION		DIVISION CODE		 © 3M COPYRIGHT 2022 This document and the information it contains are 3M property and may not be reproduced or further distributed without 3M permission, or used or disclosed other than for 3M authorized purposes. All rights reserved.					
DO NOT SCALE DRAWING		SCALE		TOLERANCES EXCEPT AS NOTED INCHES .0 ± .1 .00 ± .01 .000 ± .005 .0000 ± .0002 MILLIMETERS 0 ± .0 ± .00 ± .000 ±					
THIRD ANGLE PROJECTION		INTERPRET PER ASME Y14.5 - 2018		TITLE TRIPOLARIZED WIREMOUNT SOCKET, .050 X .100					
MAX SURFACE ROUGHNESS		MARKED SURFACES		CAGE NUMBER		DRAWING NO.		REV.	
<input type="checkbox"/> ALL SURFACES <input checked="" type="checkbox"/> MARKED ONLY		ANGLE ±		D 78-5100-0254-2		E		DET 1515 <input type="checkbox"/> YES <input checked="" type="checkbox"/> NO SHT 3 OF 3	
				MODEL		B20			

78-5100-0254-2 DRAWING NUMBER