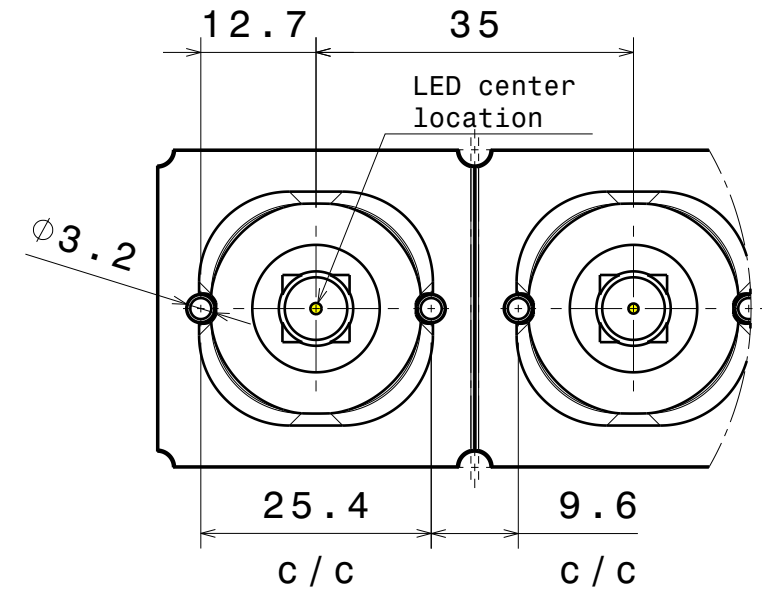
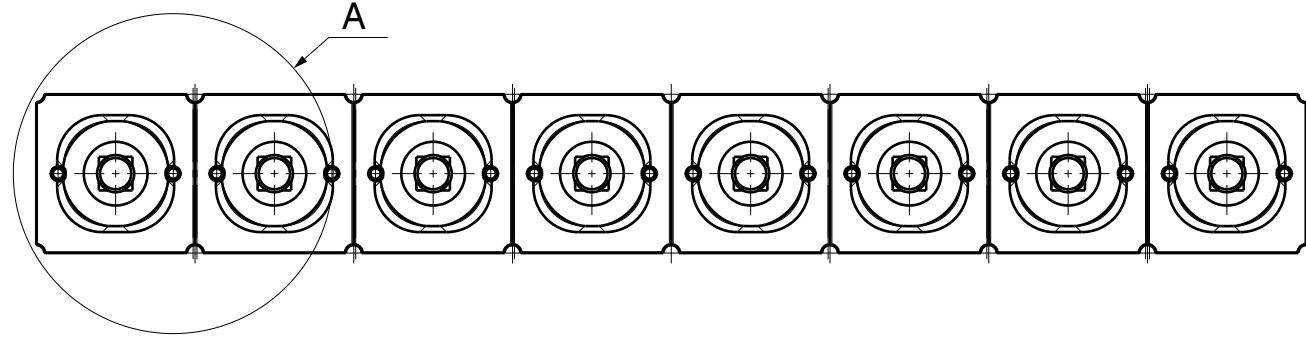
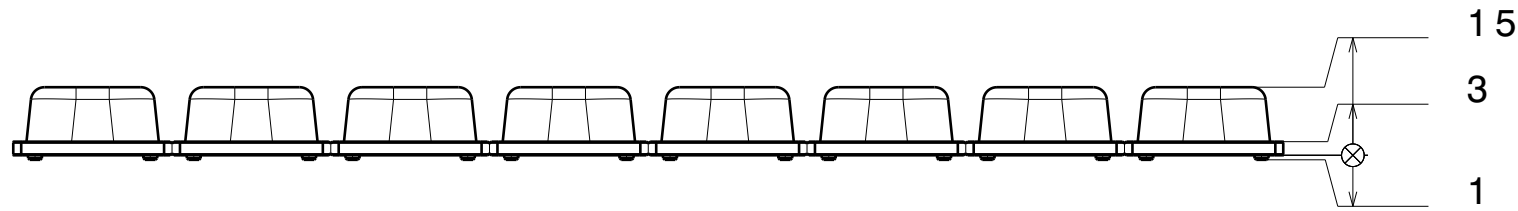


Bottom view

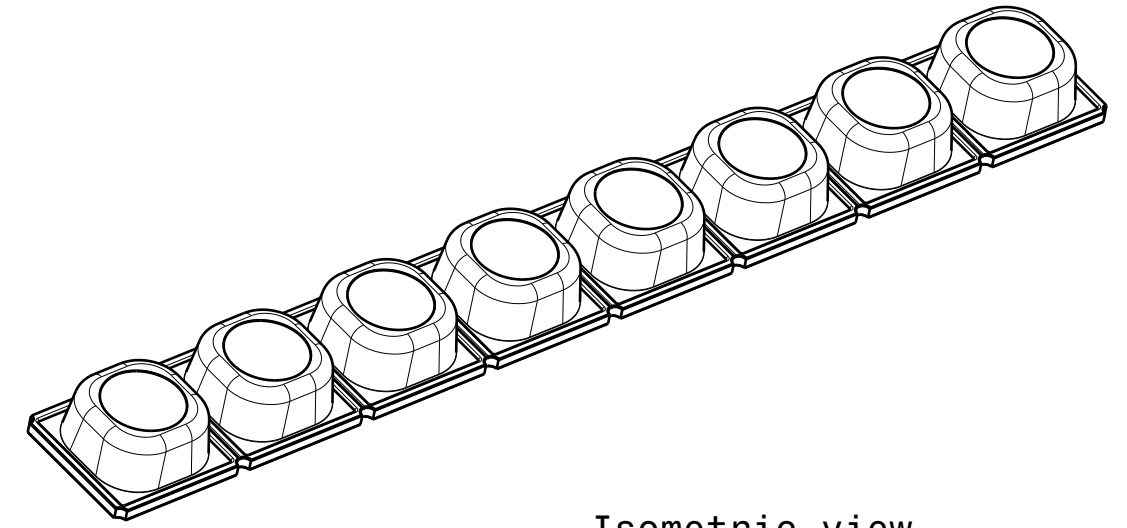
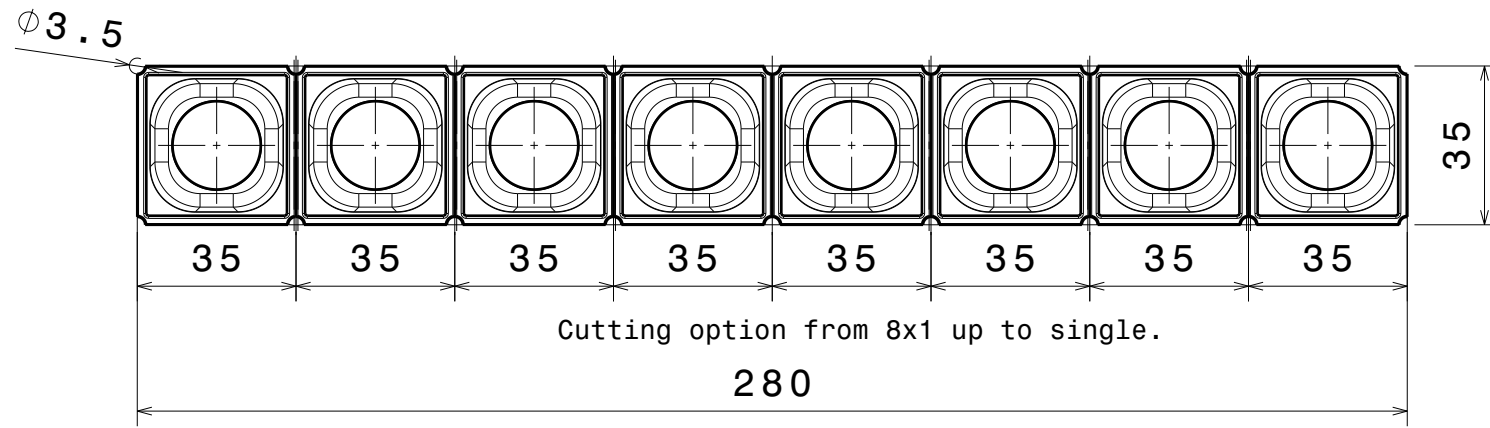


Detail A

Front view



Top view



Isometric view

INDEX	PART NO	DESCRIPTION	MATERIAL	COLOUR
1	F15554	JENNY-8X1-40	Silicone	Clear

Tolerances if not otherwise shown  
 According to DIN ISO 2768-1  
 Linear measures:  
 Up to 30mm class M, otherwise class C.  
 According to DIN ISO 2768-2  
 Form and position: class L



LediL Oy  
 Salorankatu 10  
 FIN 24240 SALO  
 Finland

THIRD ANGLE PROJECTION:

DRAWING TITLE  
**DATASHEET**

This drawing is the property of LEDiL Oy. It may not be reproduced, copied or communicated without a written agreement with LEDiL Oy.

SIZE: **A3** PART NUMBER: **F15554\_JENNY-8X1-40**

SCALE: WEIGHT: SHEET 1/1