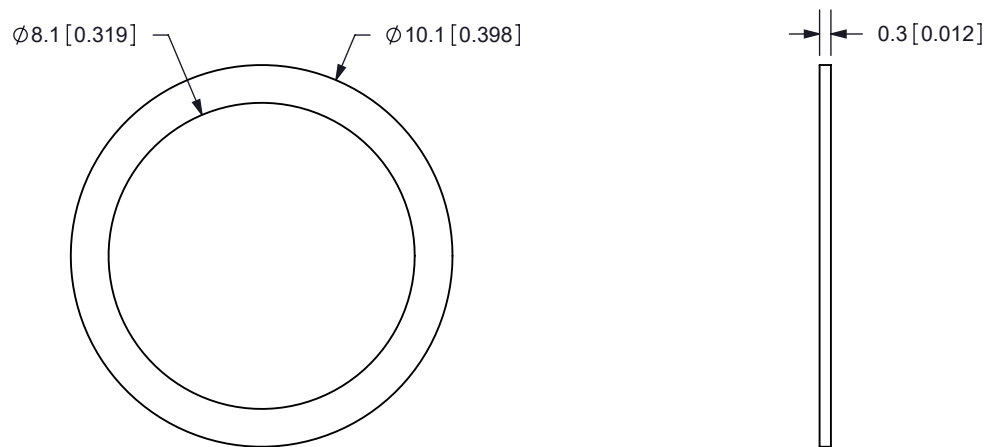
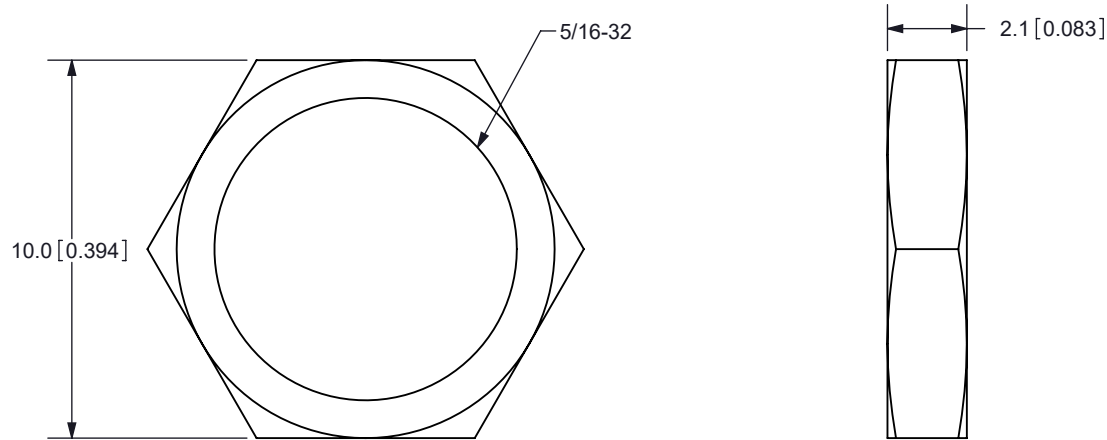


| REV. | DESCRIPTION | DATE |
|------|-----------------------|------------|
| A | NEW DRAWING | 11/11/2009 |
| B | CORRECTED THREAD SIZE | 9/11/2015 |
| C | BRAND UPDATE | 1/6/2022 |



TOLERANCE:
±0.1 MM
UNLESS OTHERWISE
SPECIFIED



CUI DEVICES

6405 SW Rosewood St, Suite C
Lake Oswego, OR 97035
Phone: 877-323-3576

Website: www.cuidevices.com

| | |
|--------------------|--------|
| TITLE: 5/16-32 NUT | REV: C |
|--------------------|--------|

| | |
|----------------------|-----------|
| PART NO. PJ-005X-HDW | UNITS: MM |
|----------------------|-----------|

| | MATERIAL | PLATING | COLOR |
|--------|----------|---------|--------|
| NUT | Brass | Nickel | Silver |
| WASHER | Steel | Nickel | Silver |

| | | |
|---------------|--------------|------------|
| DRAWN BY: RDS | APPROVED BY: | SCALE: 5:1 |
|---------------|--------------|------------|

PC FILE NAME:
PJ-005X-HDW

COPYRIGHT 2020 BY CUI DEVICES